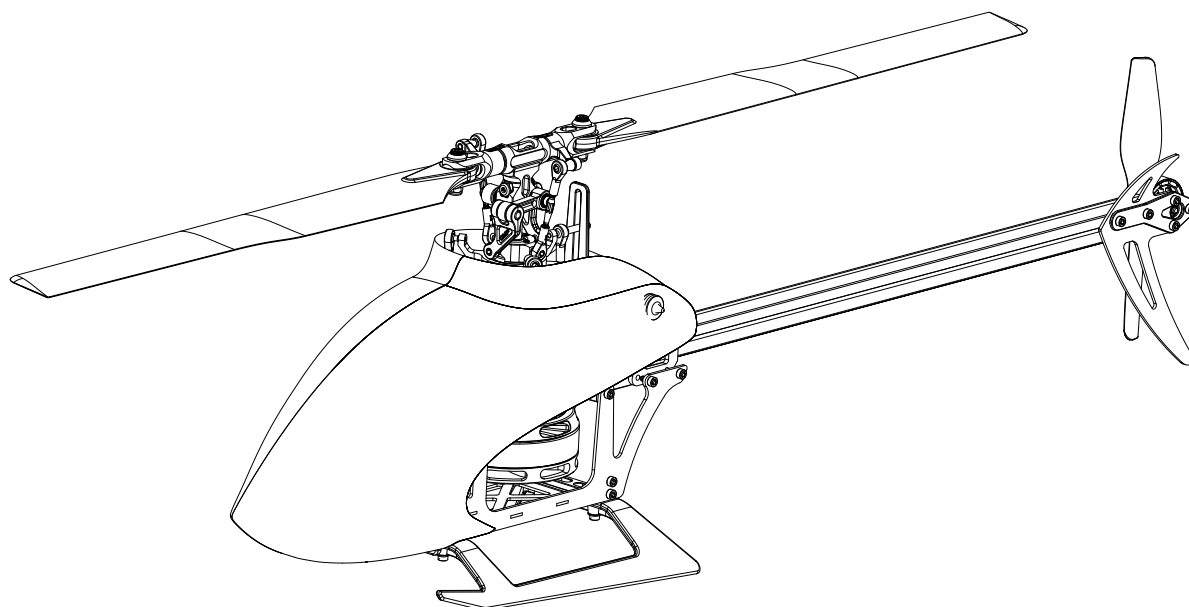


M2 **EVO**

INSTRUCTION MANUAL

使用说明书



OMPHOBBY
#1 BY DESIGN

Thank you for buying **OMP HOBBY** products. The **M2** is the latest technology in Rotary RC models. Please read this manual carefully before assembling and flying the New **M2** helicopter. We recommend that you keep this manual for future reference regarding and maintenance

感谢您选用边锋智驱系列产品。

进入遥控世界前必须告诉您许多相关的知识与注意事项，以确保您能够在学习的过程中较得心应手。在开始操作之前，请务必详细阅读本说明书，相信一定能够给您带来相当大的帮助，也请您妥善保管这本说明书，以作为日后参考。




Thank you for buying OMPHOBBY Products. The M2 Helicopter is designed as an easy to use,full featured Helicopter R/C model capable of all forms of rotary flight. Please read the manual carefully before assembling the model, and follow all precautions and recommendations located within the manual. Be sure to retain the manual for future reference, routine maintenance, and tuning.

The M2 is a new product developed by OMPHOBBY. It features the best design available on the Micro-Heli market to date, providing flying stability for beginners,full aerobatic capability for advanced fliers, and unsurpassed reliability for customer support.

感谢您选购边锋智驱公司产品,为了您容易方便使用M2直升机,请您详细的阅读完这本说明书之后再行组装以及操作这台直升机,同时请您妥善保存这本说明书,作为日后进行调整以及维修的参考。

M2是由边锋智驱有限公司自行研发的新产品,不论您是需求飞行稳定的初学者还是追求性能卓越的飞行爱好者。M2将是您最佳的选择。

WARNING LABEL LEGEND 标志代表含义

 WARNING 警告	Mishandling due to failure to follow these instructions may result in damage or injury. 因为疏忽这些操作说明,而使用错误可能造成财产损失或严重伤害。
 CAUTION 注意	Mishandling due to failure to follow these instructions may result in danger. 因为疏忽这些操作说明,而使用错误可能造成危险。
 FORBIDDEN 禁止	Do not attempt under any circumstances 在任何禁止的环境下,请勿尝试操作。

IMPORTANT NOTES 重要声明

R/C helicopters, including The M2 are not toys.R/C helicopter utilize various high-tech products and technologies to provide superior performance.Improper use of this product can result in serious injury or even death. Please read this manual carefully before using and make sure to be conscious of your own personal safety and the safety of others and your environment when operating allOMPHOBBY products.

Manufacturer and seller assume no liability for the operation or the use of this product . Intended for use only by adults with experience flying remote control helicopters at a legal flying field. After the sale of this product we cannot maintain any control over its operation or usage.

M2遥控直升机并非玩具,它是结合了许多高科技产品所设计出来的休闲用品,所以商品的使用不当或者不熟悉都可能会造成严重伤害甚至死亡,使用之前请务必仔细阅读本说明书,勿轻忽并注意自身安全。

注意!任何遥控直升机的使用,制造商和经销商是无法对使用者于零件使用的损耗异常或组装不当所发生之意外负责任何责任,本产品是提供给有操作过模型直升机经验的成人或者有相当技术的人员在旁指导于当地合法遥控飞行场飞行,以确保安全无误下操作使用,产品售出后该公司将不负任何责任操作和使用控制上的任何性能与安全责任。

We recommend that you obtain the assistance of an experienced pilot before attempting to fly our products for the first time, A local expert is the best way to properly assemble, setup, and fly your model for the first time .M2 Helicopter requires a certain degree of skill to operate, and is a consumer item. Any damage or dissatisfaction as a result of accidents or modifications are not covered by any warranty and cannot be returned for repair or replacement. Please contact our distributors for free technical consultation and parts at discounted rates when you experience problems during operation or maintenance.

模型商品属于需高操作技术且为消耗性之商品,如经拆装使用后,会造成不等情况零件损耗,任何使用情况所造成的商品不良或不满意,将无发于保固条件内更换新品或者退货,如遇有使用操作维修问题,本公司全球分公司或者代理商将提供技术指导,特价零件供应服务。

SAFETY NOTES 安全注意事项



Fly only in safe areas,away from other people. Do not operate R/C aircraft within the vicinity of homes or crowds of people .R/C aircraft are prone to accidents,failures,and crashes due to a variety of reasons including,lack of maintenance,pilot error, and radio interference. Pilots are responsible for their actions and damage or injury occurring during the operation or as a result of R/C aircraft models.

遥控模型飞机、直升机属于高危险性商品,飞行时务必远离人群,人为组装不当或机件损坏,电子控制设备不良,以及操控上的不熟悉、都有可能导致飞行失控损伤等不可预期的意外,请飞行者务必注意飞行安全,并需了解自负疏忽所造成的任何意外之责任。



LOCATE AN APPROPRIATE LOCATION 远离障碍物及人群

R/C helicopters fly at high speed ,thus posing a certain degree of potential danger .Choose a legal flying field consisting of flat,smooth ground without obstacles.

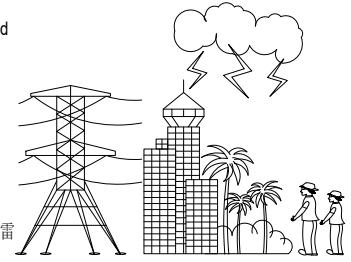
Do not fly near buildings,high voltage cables ,or trees to ensure the safety of yourself,others and your model.

For the first practice,please choose a legal flying field and can use a training skid to fly for reducing the damage .Do not fly your model in inclement weather,such as rain,wind snow or darkness.

直升机飞行时具有一定的速度,相对的也潜在着危险性,场地的选择也相对的重要,请遵守当地的法律法规到合法的遥控飞行场地去飞行。

必须注意周边有没有人、高楼、建筑物、高压电线、树木等等、避免操控的不当造成自己或他人的财产损失。

初次练习时,务必选择在空旷合法专属飞行场地并适当搭配练习架飞行,这对于飞行失误所造成的损伤将会大幅的降低。请勿在下雨天、打雷等恶劣天气下操作,以确保本身及机体的安全。

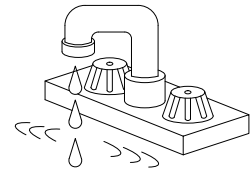


PREVENT MOISTURE 远离潮湿环境

R/C models are composed of many precision electrical components.

It is critical to keep the model and associated equipment away from moisture and other contaminants.The introduction or exposure to water or moisture in any form can cause the model to malfunction resulting in loss of use,or a crash .Do not operate or expose to rain or moisture

直升机内部也是由精密的电子零件组成,所以必须绝对的防止潮湿或水气,避免在浴室或雨天时使用,防止水气进入机身内部而导致机件及电子零件故障而引发不可预期的意外!



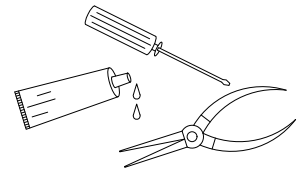
PREVENT OPETATION 勿不当使用本产品

Please use the replacement of parts on the manual to ensure the safety of instructors.

This product is for R/C model,so do not use for other purpose.

请勿自行改造加工,任何的升级改装或维修,请使用三源电子产品目录中的零件,以确保结构的安全。

请确认于产品限界内操作,请勿过载使用,并勿用于安全、法令外其他非法用途。



OBTAIN THE ASSISTANCE OF AN EXPERIENCED PILOT 避免独自操控

Before turning on your model and transmitter,check to make sure no one else is operating on the same frequency.Frequency interference can cause your model,or other models to crash.

The guidance provided by an experienced pilot will be invaluable for the assembly,tuning,trimming,and actual first flight.(Recommend you to practice with computer-based flight simulator.)

至飞行场地前,需确认是否有相同频率的同好正在飞行,因为开启相同的频率的发射机将导致自己与他人立即干扰等意外危险。

遥控飞机操控技巧在学习初期有着一定的难度,要尽量避免独自操作飞行,需有经验的人士在旁指导,才可以操控飞行。(勤练电脑模拟器及老手指导是入门必要的选择)



SAFE OPERATION 安全操作

Operate this unit within your ability.Do not fly under tired condition and improper operation may cause in danger

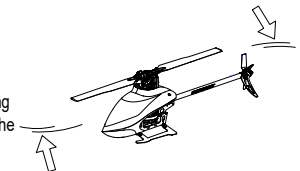
请于自己能力内及需要一定技术范围内操作这台直升机,过于疲劳,精神不佳或不当操作,意外发生风险将可能会提高。



ALWAYS BE AWARE OF THE ROTATING BLADES 远离运转中的零件

During the operation of the helicopter,the main rotor and tail rotor will be spinning at a high rate of speed .The blades are capable of inflicting serious bodily injury and damage to the environment.Be conscious of your actions,and careful to keep your face,eyes,hands,and loose clothing away from the blades.Always fly the model a safe distance from yourself and others,as well as surrounding objects.Never take your eyes off the model or leave it unattended while it is turned on.Immediately turn off the model and transmitter when you have landed model.

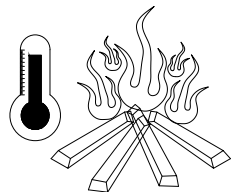
当直升机主旋翼与尾旋翼运转时,切勿触摸并远离任何物件,以避免造成危险及损坏。

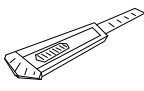

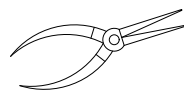
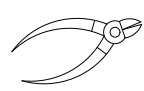
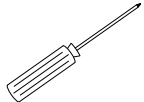
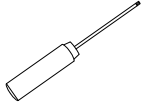
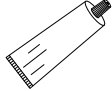




KEEP AWAY FROM HEAT 远离热源

R/C models are made of various forms of plastic.Plastic is very susceptible to damage or deformation due to extreme heat and clod climate .Make sure not to store the model near any source of heat such as an oven,or heater.It is best to store the model indoors ,in a climate-controlled,room temperature environment.

遥控飞机多半是以PA纤维或聚乙烯、电子商品为主要材质,因此要尽量远离热源、日照,以避免因高温而变形甚至烧毁损坏的可能。



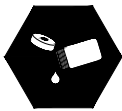
 Cutter Knife 刀子	 Scissors 剪刀	 Needle Nose Pliers 尖嘴钳	 Diagonal Cutting Pliers 斜口钳	
 Philips Screw Drive 十字螺丝起子	 Hexagon Screw Driver 六角螺丝起子	 Oil 润滑油	 CA 瞬间胶	 AB Glue AB胶

胶水使用方法

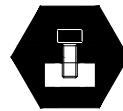
When you see the marks as below, please use glue or greae to ensure flying safety.
 标有以下符号之组装步骤, 请配合上胶或上油, 以确保使用之可靠度。



Apply BLUE Threadlock
 使用螺丝胶



Apply Petroleum-Based,
 Light Viscosity Lube
 添加润滑油



Loosely Tighten
 普通拧紧



Apply NO Threadlock
 无需使用螺丝胶



Apply Synthetic
 Grease
 添加润滑油脂



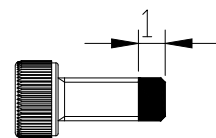
Fully Tighten
 完全拧紧



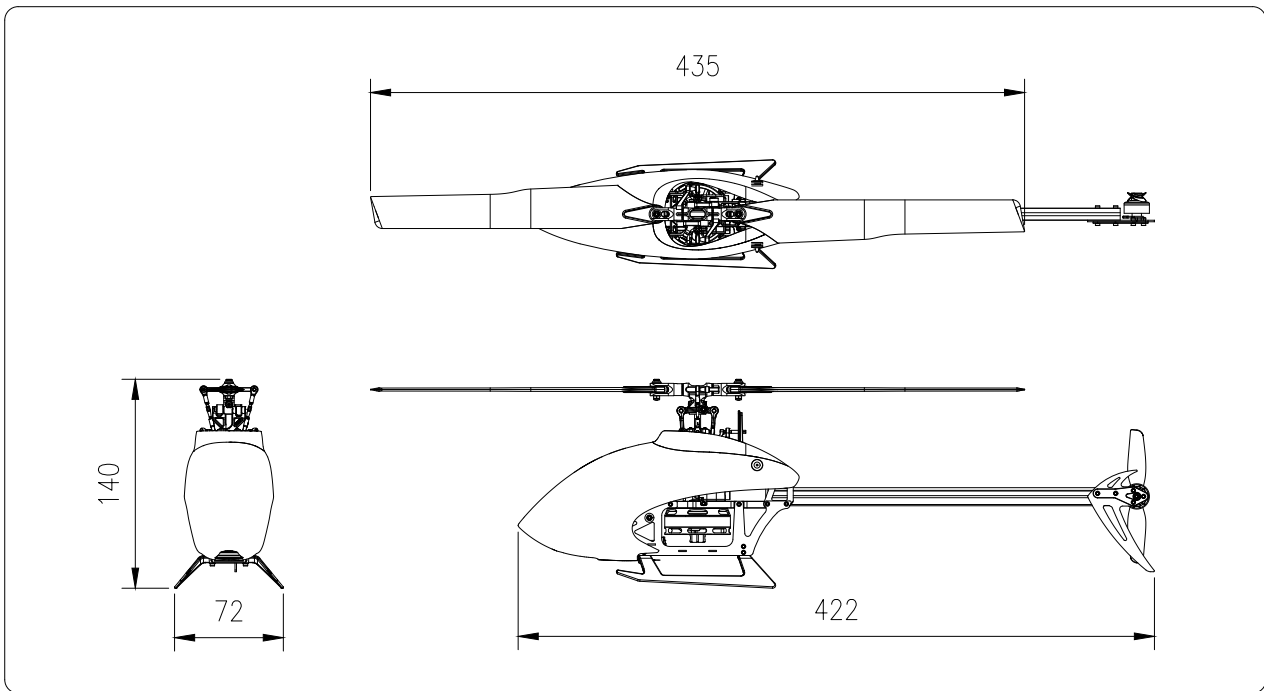
Apply MEDIUM CA
 使用瞬间胶固定



Repeat Multiple Times
 重复多次



BLUE Glue width: approx 1mm
 蓝色螺丝胶上胶宽度约1.0mm



Specifications 参数配备

- | | |
|-------------------------------|-----------------|
| ● Length: 422mm | ● 机身长: 422mm |
| ● Height: 140mm | ● 机身高: 140mm |
| ● Main Blade: 190mm | ● 主旋翼长度: 190mm |
| ● Main Rotor Diameter: 434mm | ● 主旋翼直径: 434mm |
| ● Tail Rotor Diameter: 88.9mm | ● 尾旋翼直径: 88.9mm |
| ● Flying Weight: 345g | ● 起飞重量约: 345g |

Features 设计特点

- | | |
|---|------------------------|
| ● Direct drive main and tail rotor design with dual brushless motor | ● 采用双无刷电机直接驱主尾旋翼设计 |
| ● All metal 7075 aluminum alloy material flybarless head design | ● 全金属7075铝合金材质无副翼旋翼头设计 |
| ● Airframe all carbon fiber lightweight design | ● 机身全碳纤维轻量化设计 |
| ● Streamlined low wind resistance hood design | ● 流线型低风阻机头罩设计 |
| ● 4 in 1 OFS control system | ● 四合一OFS控制系统 |
| ● Attitude stabllization mode and 3D lock mode switch freely | ● 姿态增稳模式和3D锁定模式自由切换 |

Bearing-MR63ZZ
轴承(Ø3xØ6x2.5mm)x4

Washer
主夹头轴承衬(Ø3xØ4.4x1.4mm)x2

Spindle bearing spacer
横轴轴承垫片(Ø4.2xØ6x0.1mm)x2

Thrust bearingF3-6M
止推轴承(Ø3xØ6x2.8mm)x2

Obverse of bearing faces inside.
轴承面凹开口朝内

CAUTION 注意
Thrust bearing and washer for radial bearing are wear items, and thus should be inspected for replacement after every 20 flights.
For flights with high headspeed, the inspection interval should be reduced to ensure flight safety.
止推轴承及横轴垫圈属于飞行消耗品, 建议每20趟定期检查及更换, 高主旋翼转速飞行时, 请缩短定期检查之趟数, 以确保飞行安全。

CAUTION 注意
Thrust bearing
止推轴承(Ø3xØ6x2.8)

(OUT) 内径较小 (IN) 内径较大 主旋翼夹座

CAUTION 注意
原装组装完成品, 每一次飞行前请先确认螺丝是否已上胶不会松动。
After the feathering shaft screw is locked, please note that the rotor holder can rotate smoothly

Feathering shaft
横轴Ø3x38.8mm

Damper rubber
横轴避震套 Ø2.95xØ5.95x2.9mm

Metal main rotor housing
金属主旋翼固定座

Washer
垫片(Ø2xØ5x0.2mm)x2

Washer
垫片(Ø3.1xØ4.5x0.5mm)

Washer
垫片 Ø2xØ5x0.2mm

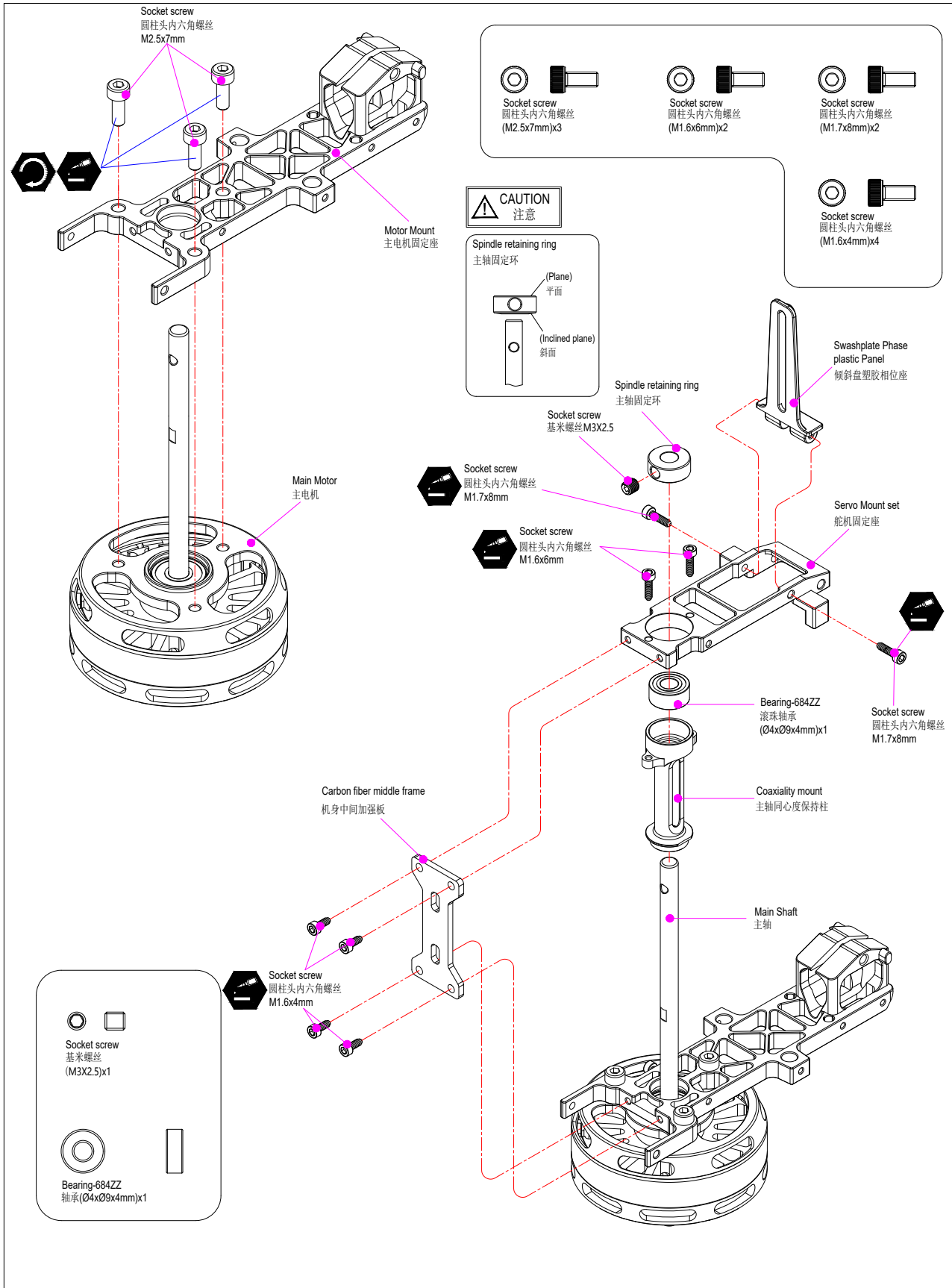
Socket screw
圆头内六角螺丝(M2x6mm)x2

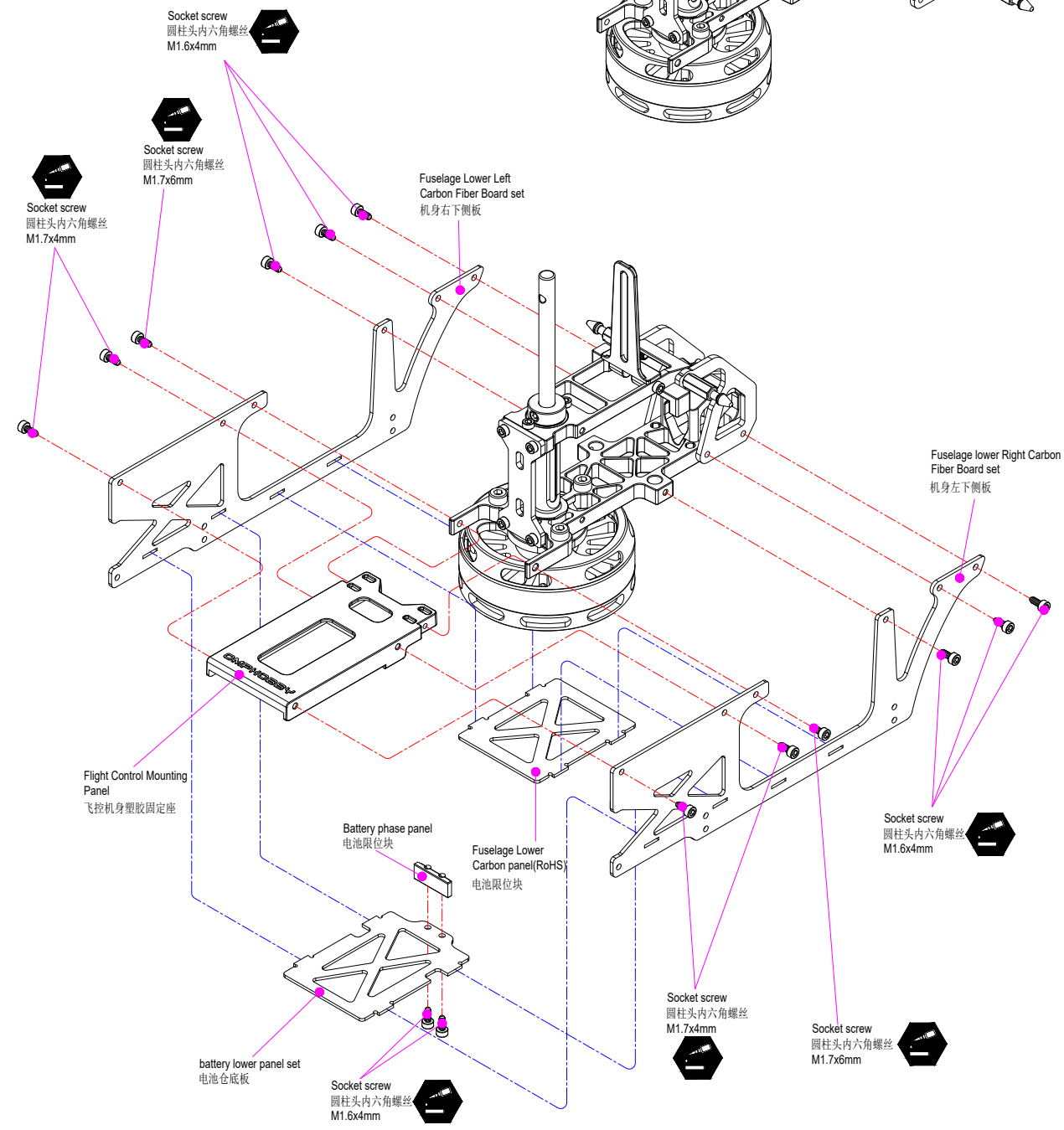
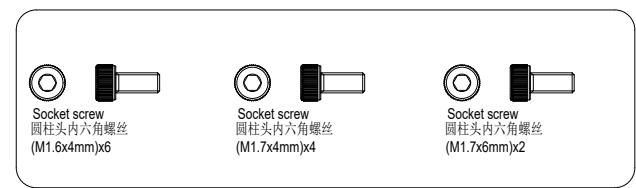
Washer
垫片(Ø3.1xØ4.5x0.6mm)x2

Damper rubber-red
横轴避震套 (Ø2.95xØ5.95x2.9mm)x2

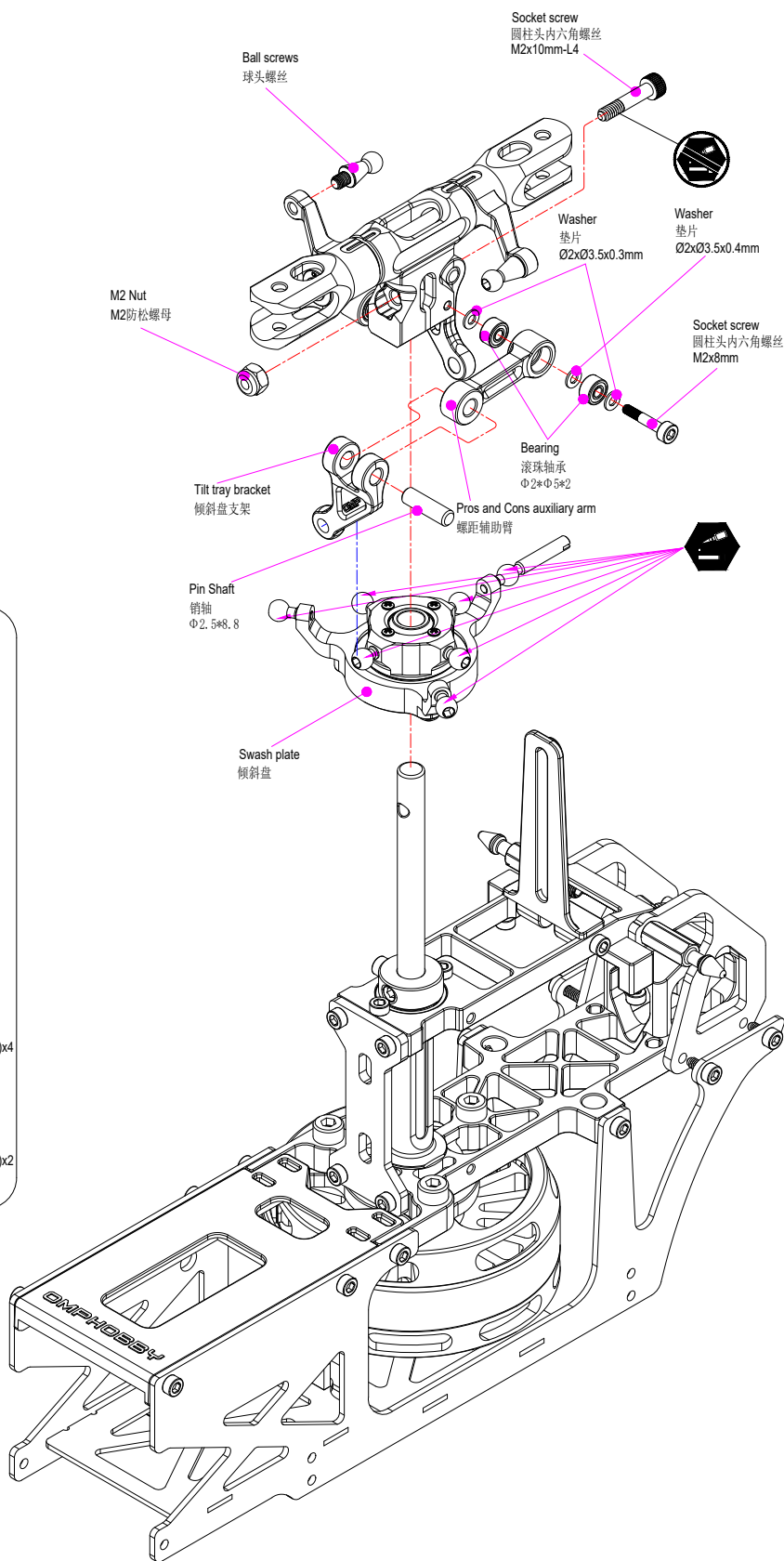
Socket screw
圆柱头内六角螺丝 M2x4mm

CAUTION 注意
Pay attention to the direction of the copper washer
铜套台阶端面朝轴承方向






step 4 步骤四




- 

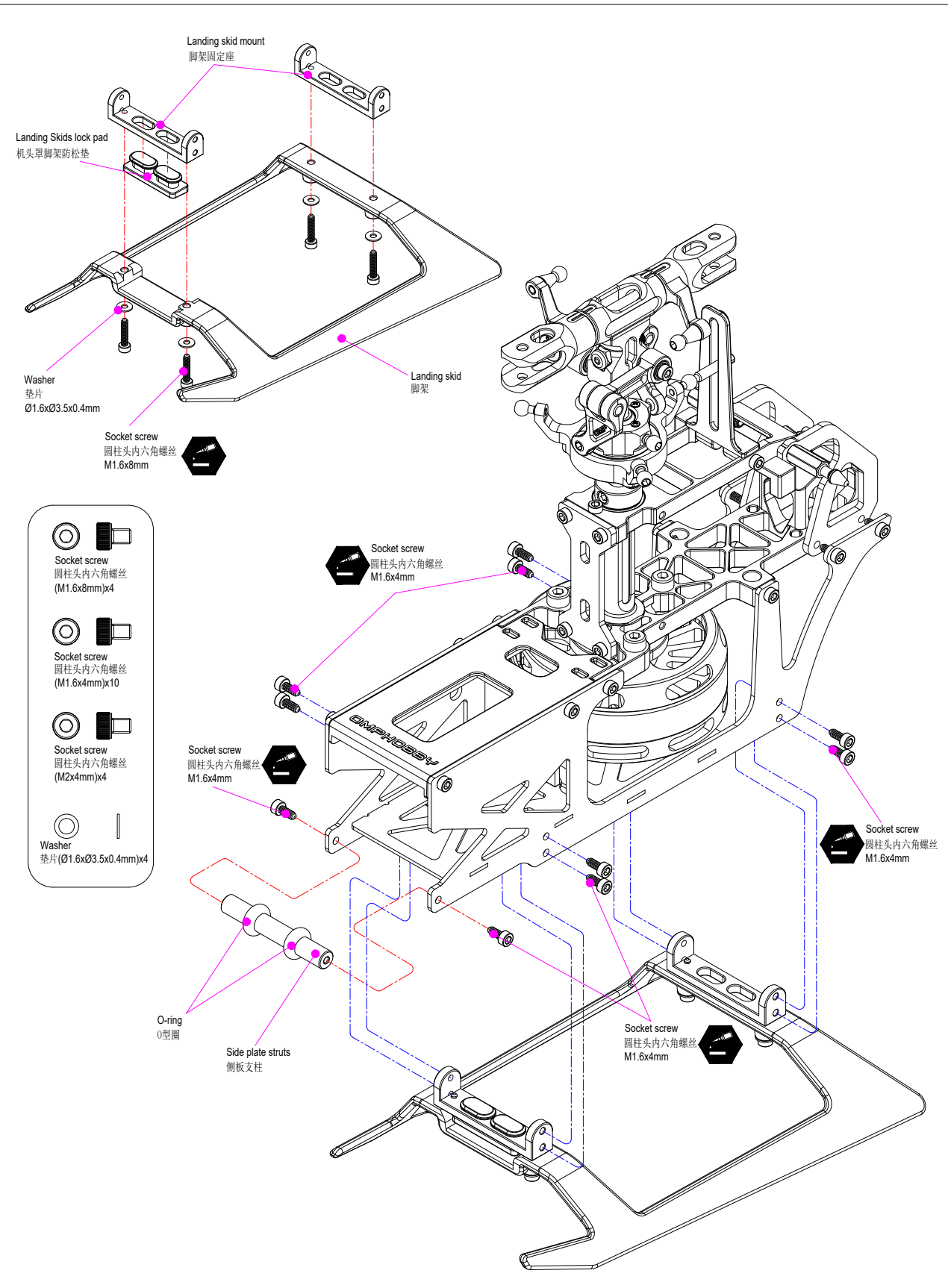

Socket screw
圆柱头内六角螺丝
(M2x8mm)x2
- 

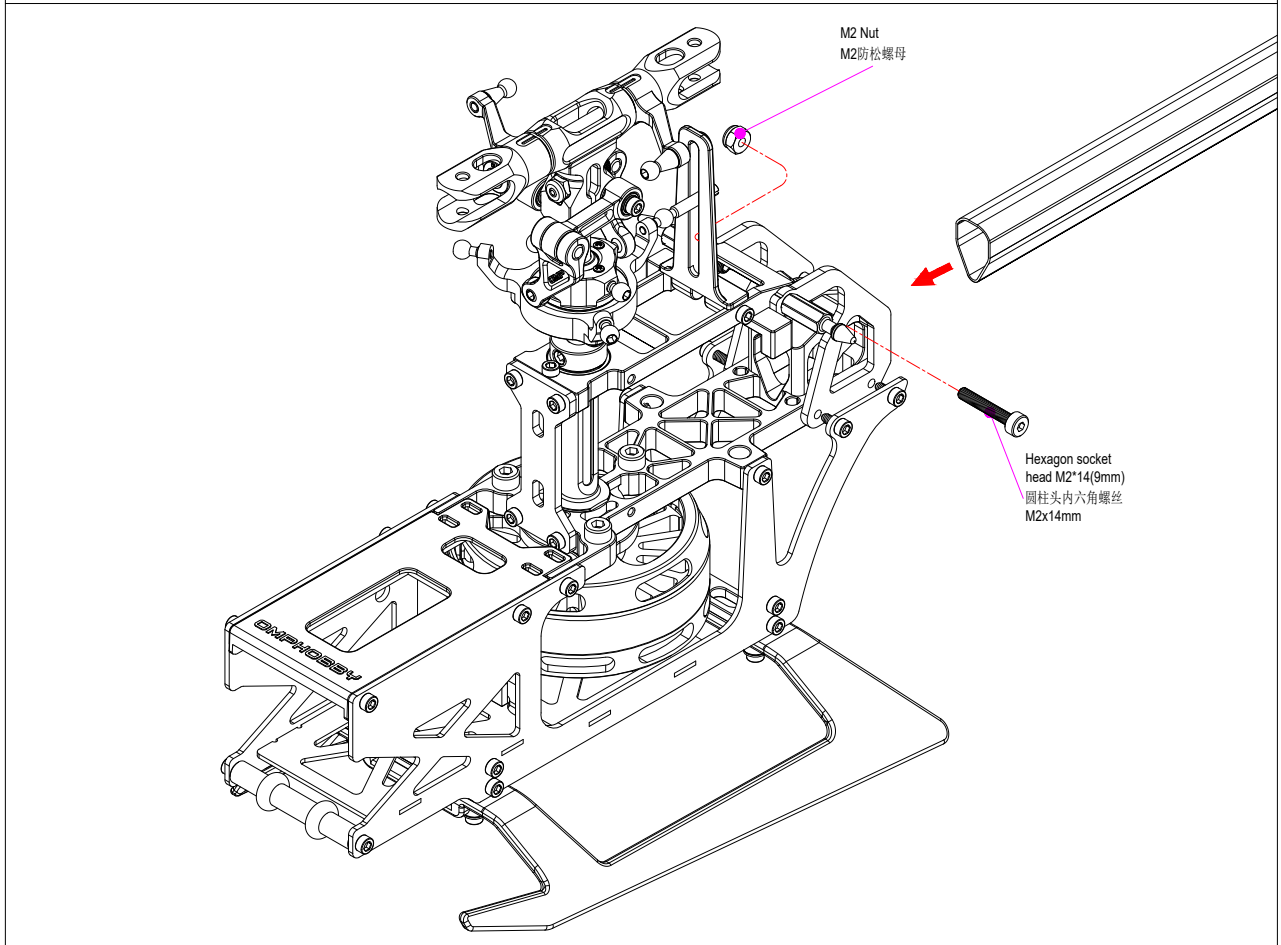
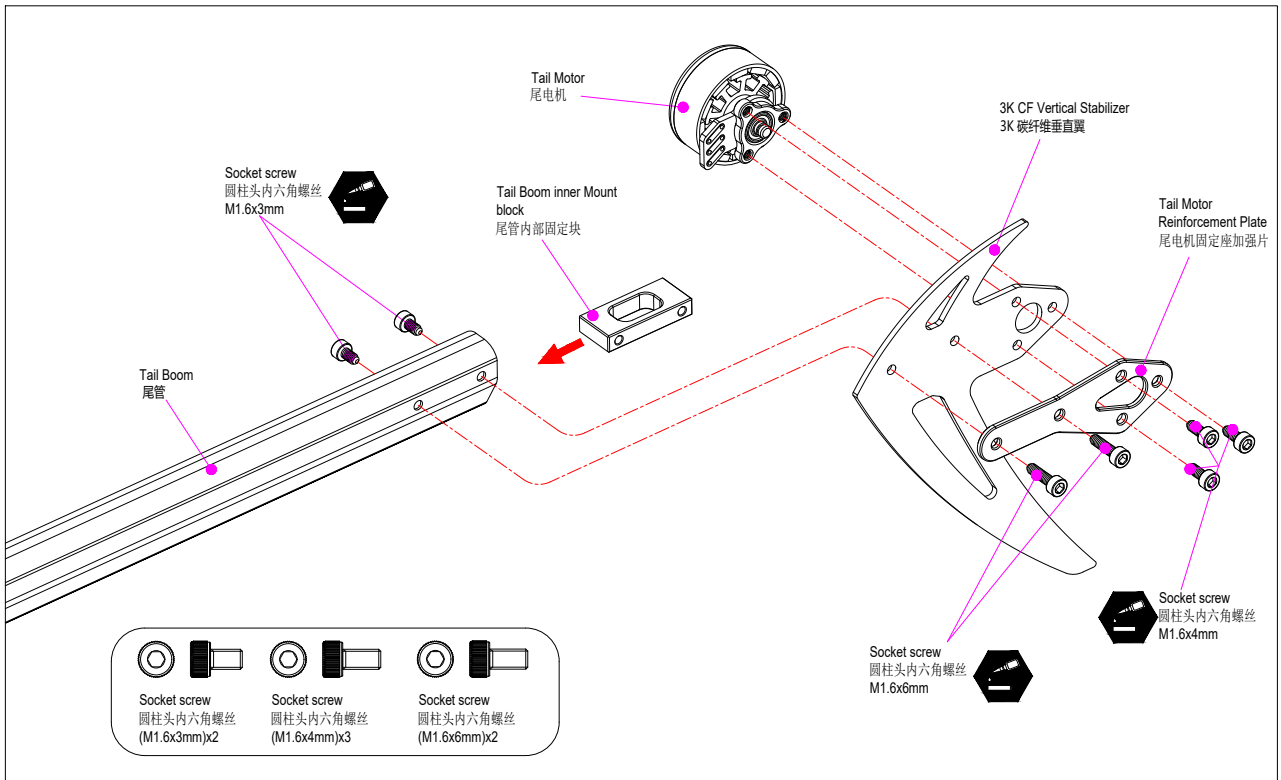

Socket screw
圆柱头内六角螺丝
(M2x10mm-L4)x1
- 

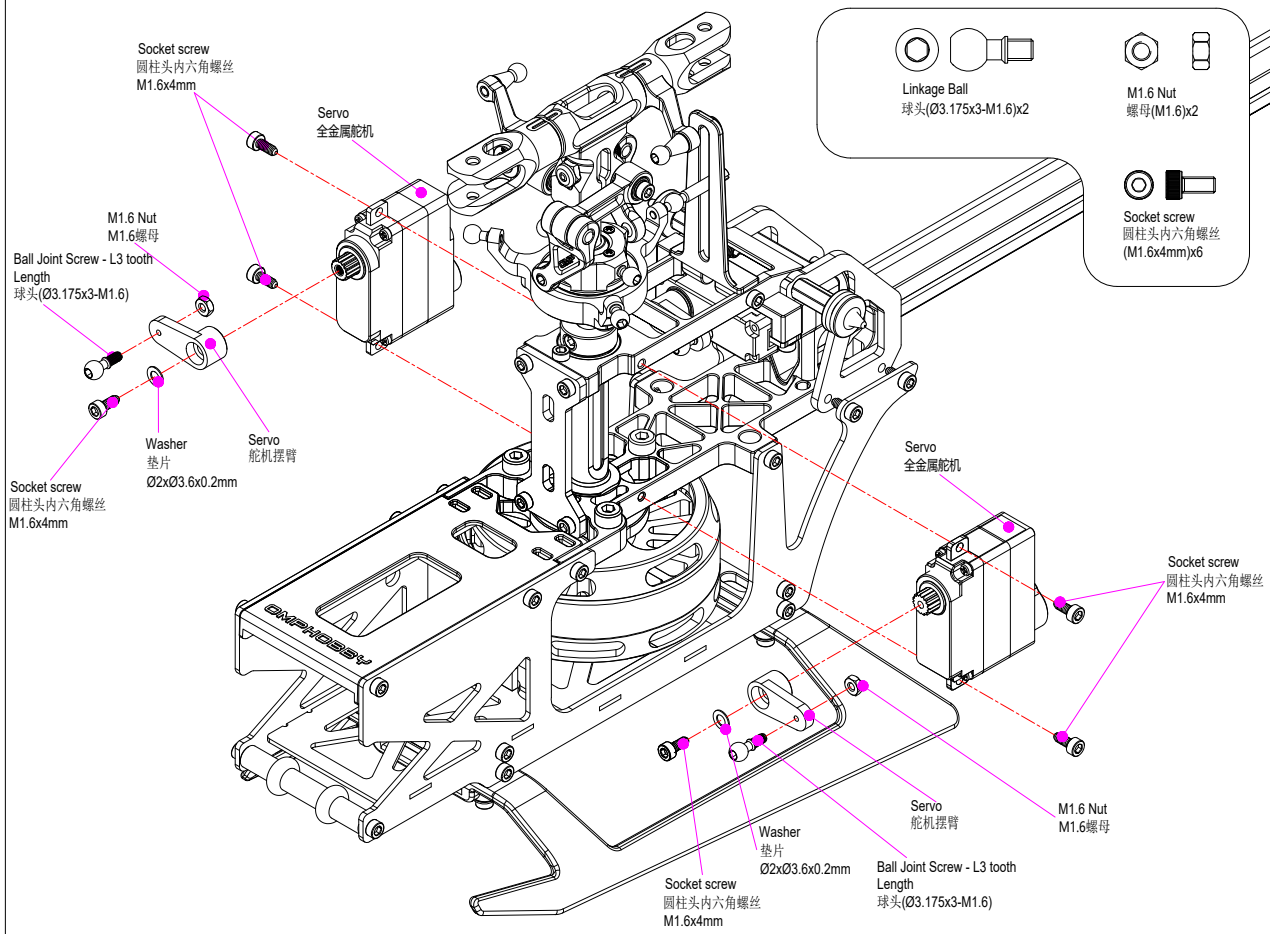
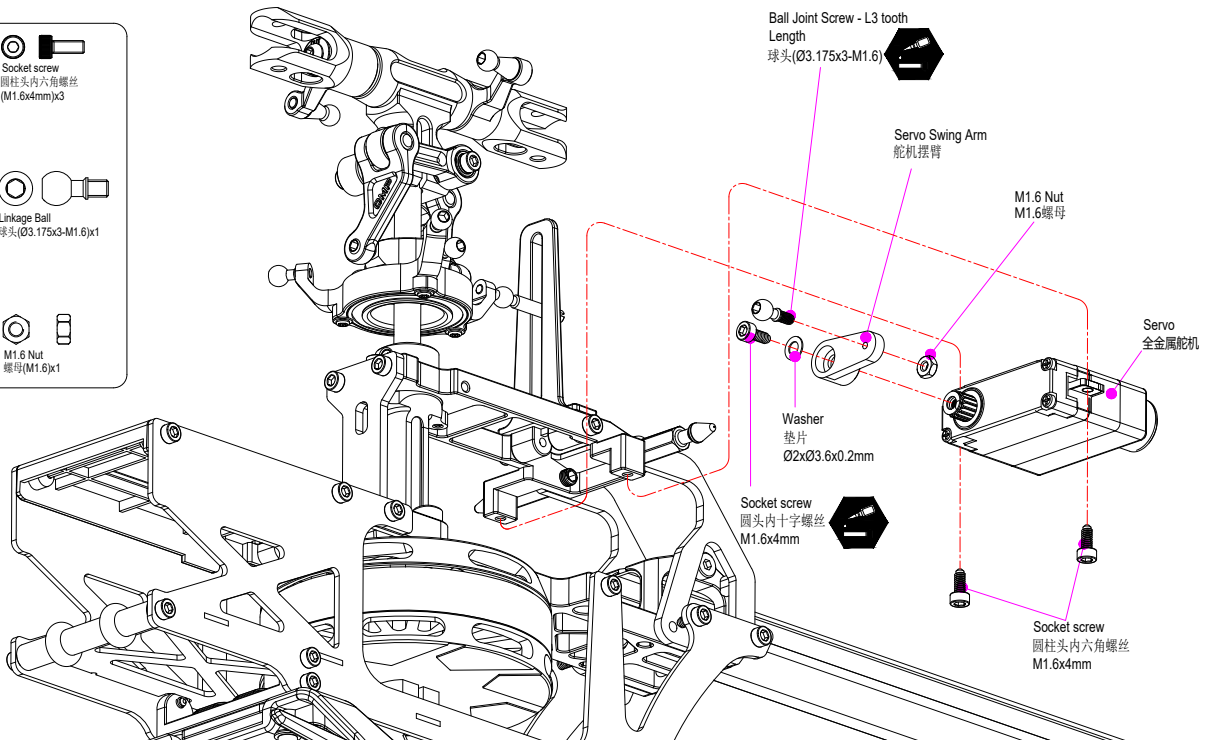
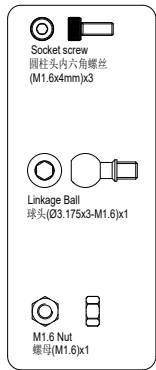

Socket screw
圆柱头内六角螺丝
(M2x4mm)x4
- 

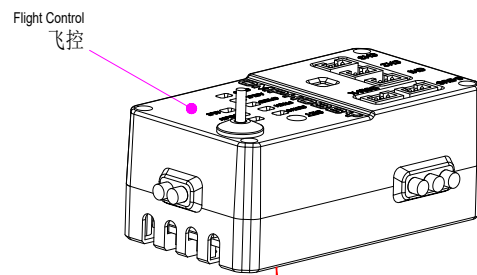
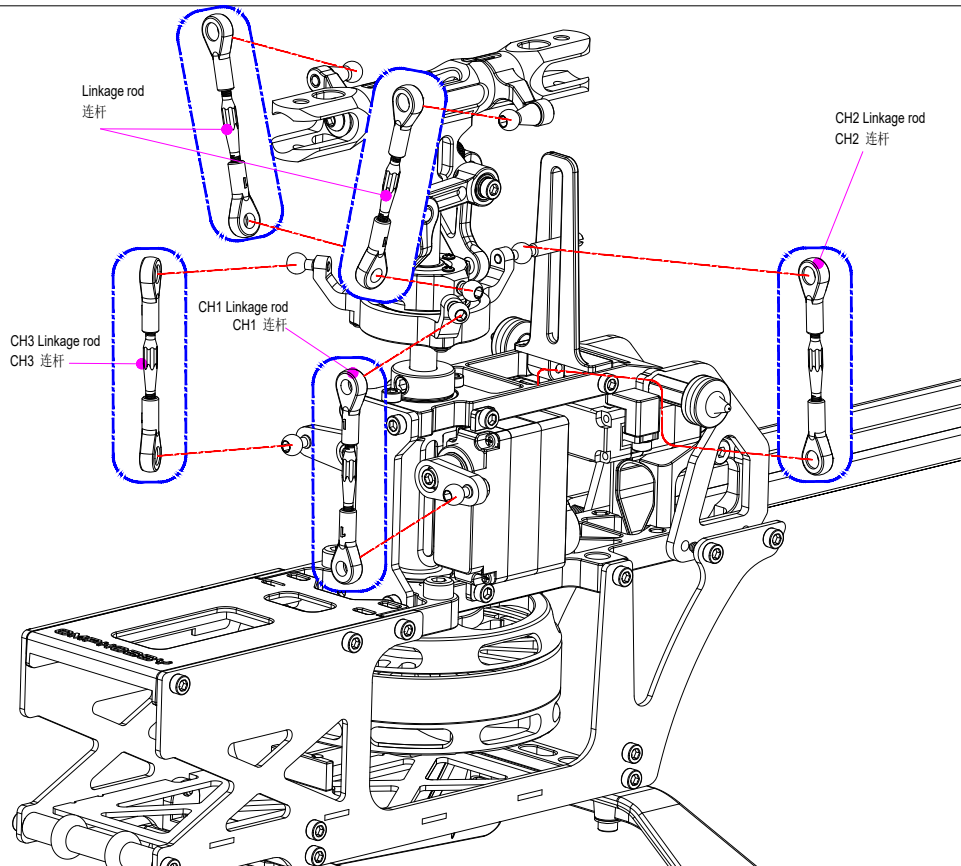
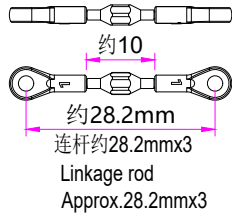

Washer
垫片(Ø2xØ3.5x0.3mm)x4
- 


Washer
垫片(Ø2xØ3.5x0.4mm)x2







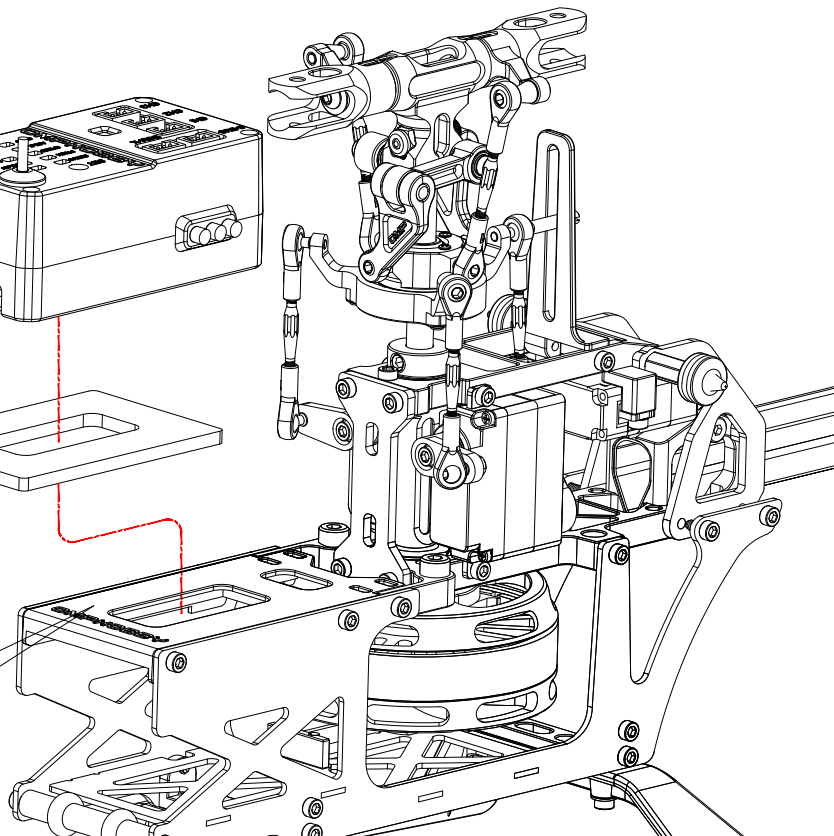


Double-sided tape
双面胶

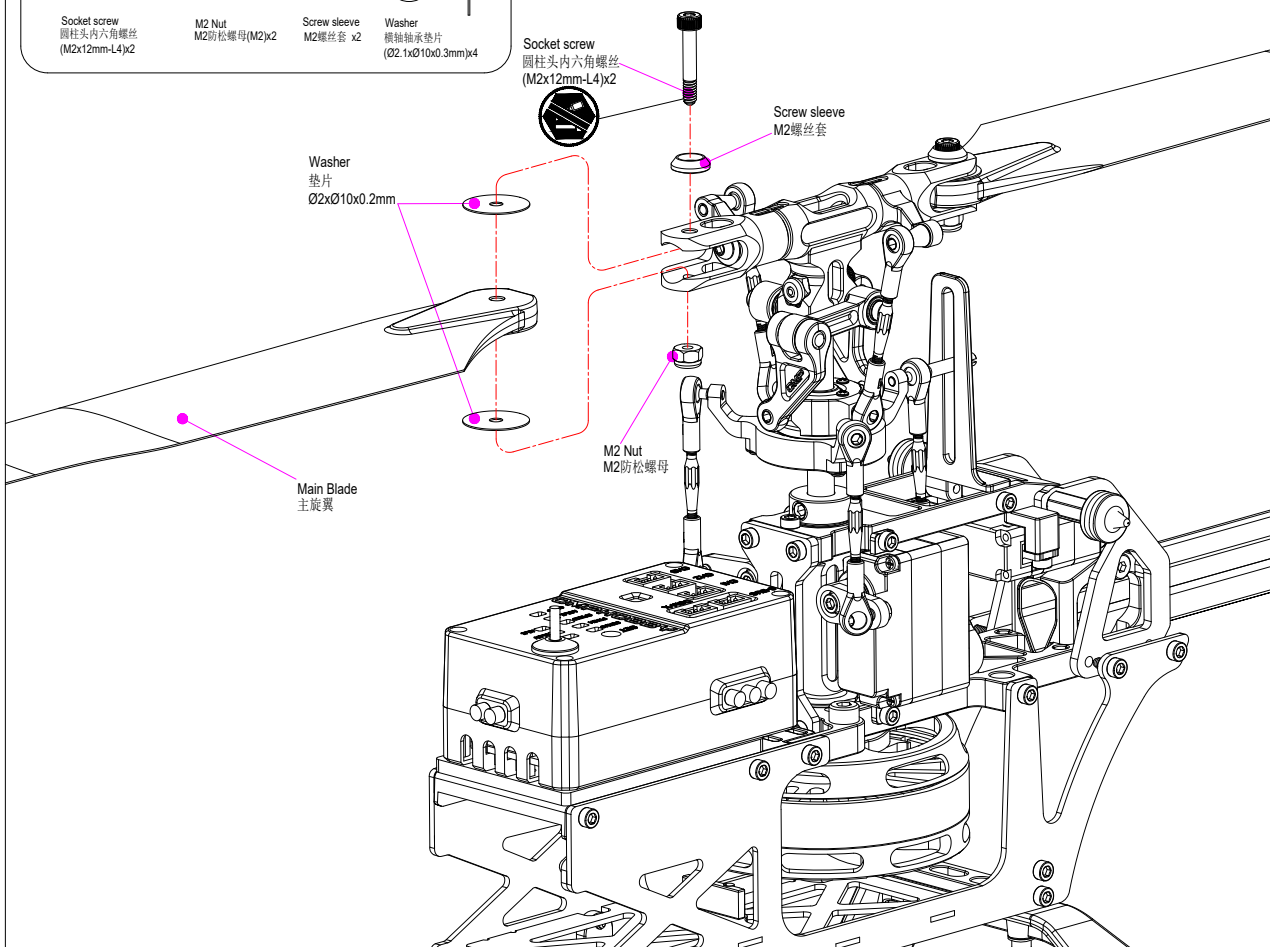



Note: First, the double-sided damping rubber should be fully fitted with the receiver board, and then install the flight control. The flight control must be completely parallel to the fuselage to achieve the best flight performance.

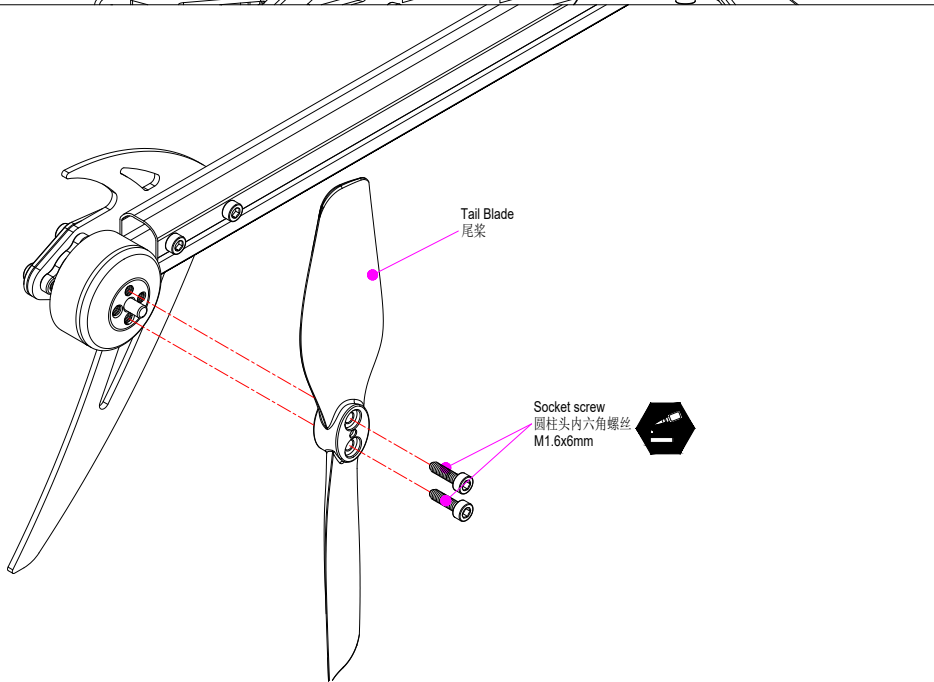
注意：先将双面减震胶与接收机板完全贴好，再安装飞控。飞控必须与机身完全平行，以达到最佳的飞行效果。

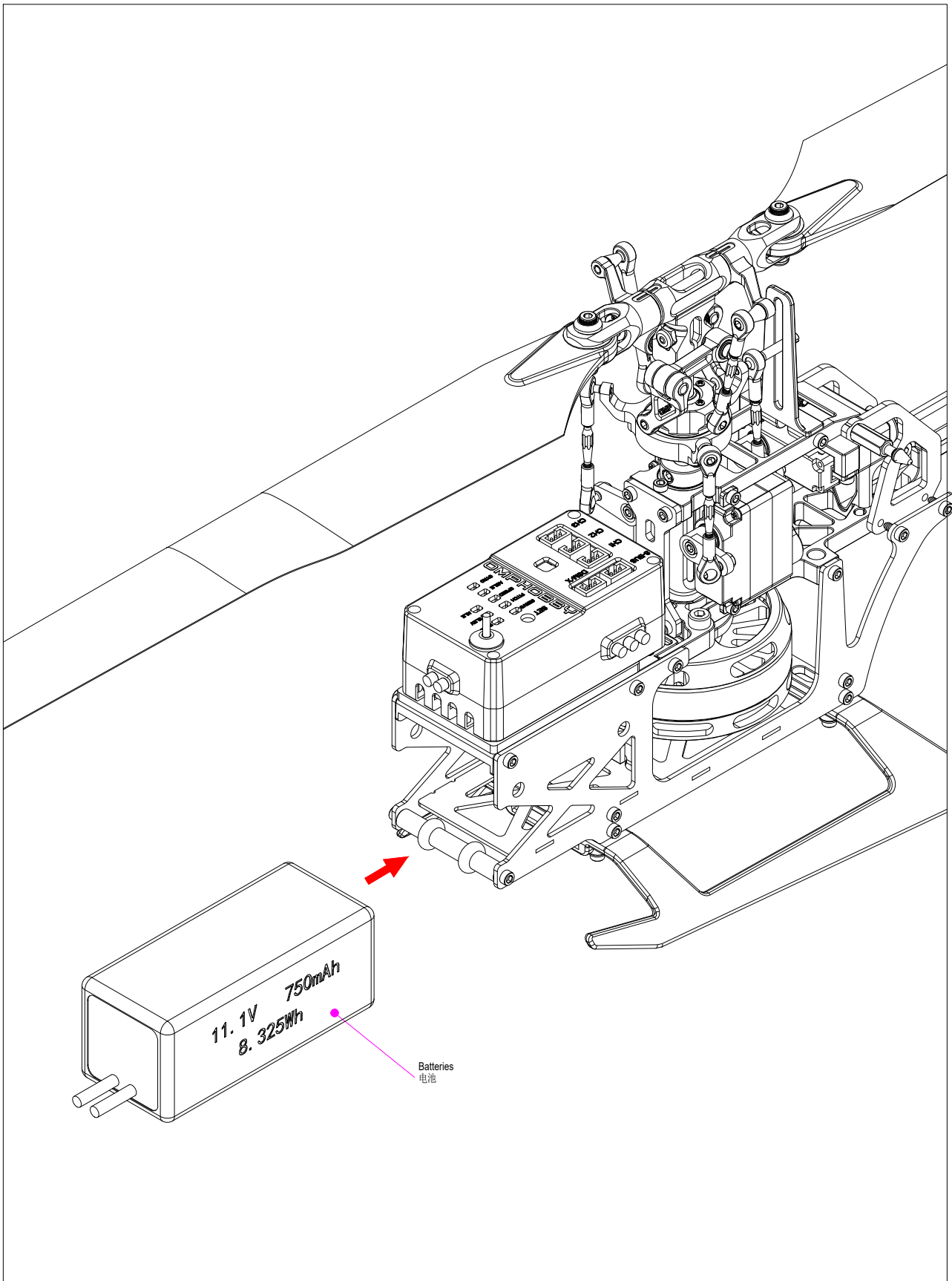


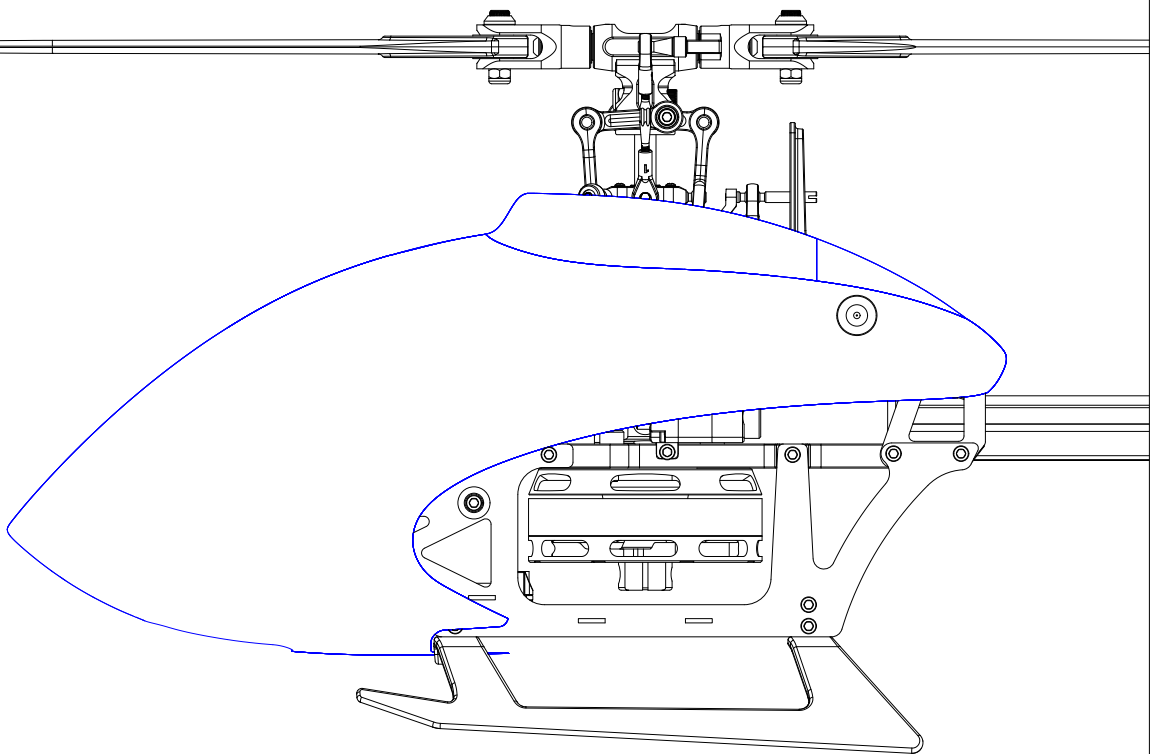
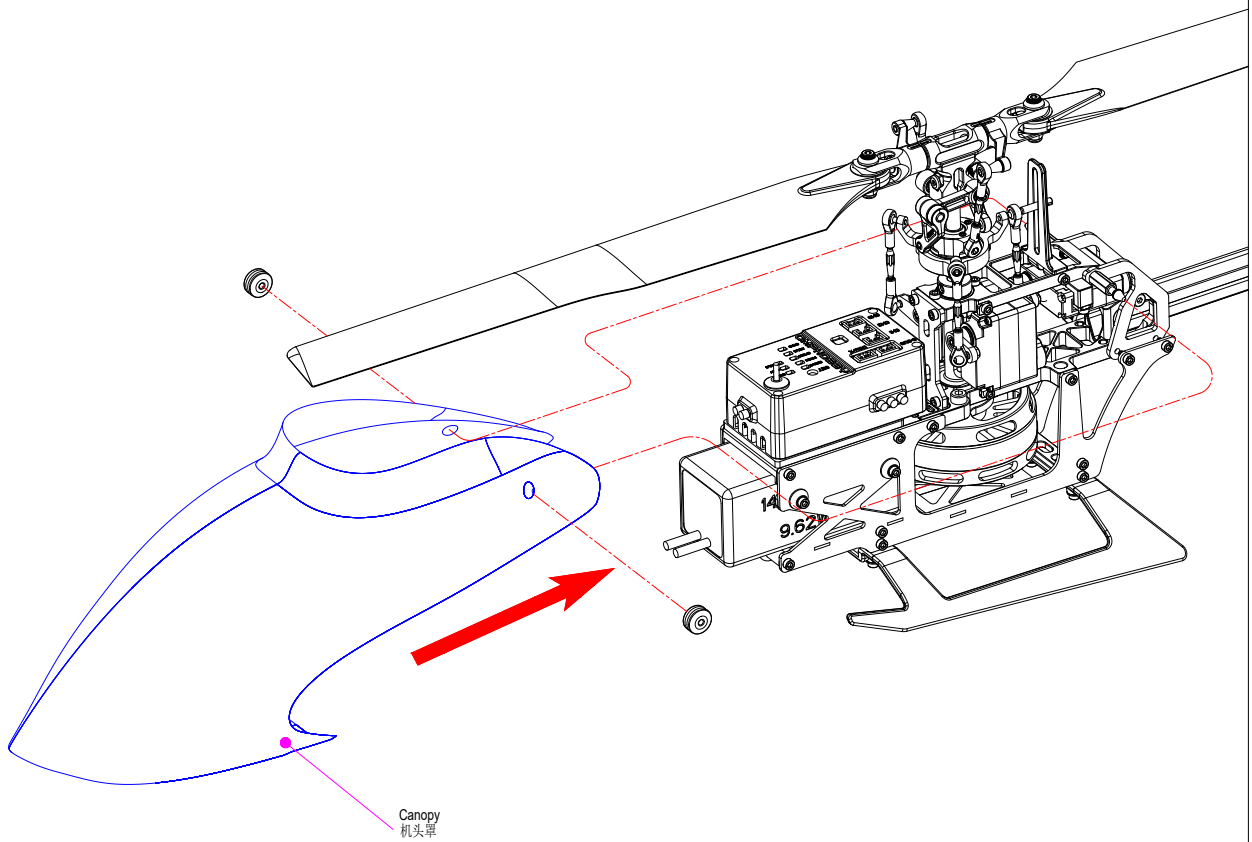
-  Socket screw
圆柱头内六角螺丝
(M2x12mm-L4)x2
-  M2 Nut
M2防松螺母(M2)x2
-  Screw sleeve
M2螺丝套 x2
-  Washer
横轴轴承垫片
(Ø2.1xØ10x0.3mm)x4

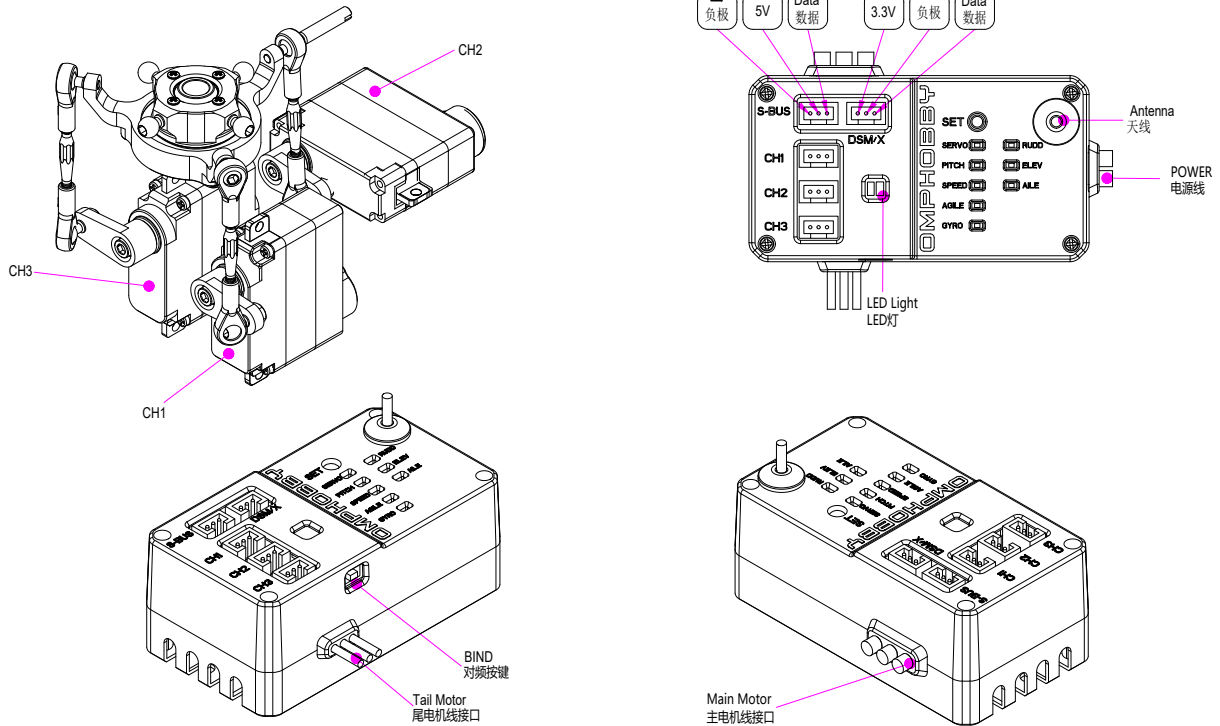


-  Socket screw
圆柱头内六角螺丝
(M1.6x6mm)x2









Flight Parameter Setting Introduction
飞行参数设置说明

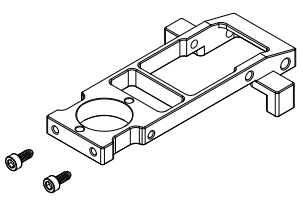
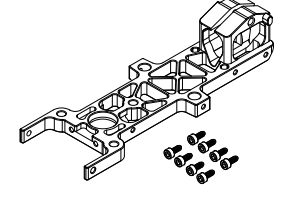
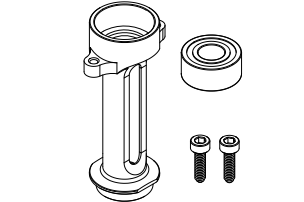
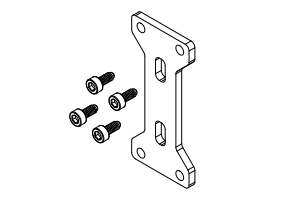
General Flight Model 一般飞行模式			
Throttle 油门		Screw Pitch 螺距	
5	60	100	12°
4	60	65	5.5°
3	60	15	1.8°
2	60	-5	-0.6°
1	0	-20	-2.4°

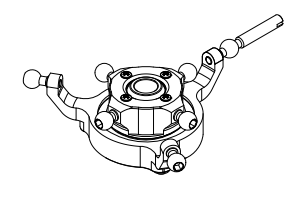
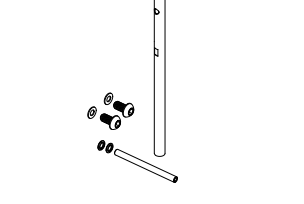
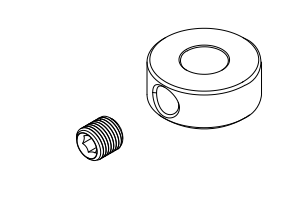
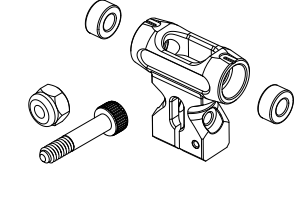
IDLE 1 Model IDLE 1模式			
Throttle 油门		Screw Pitch 螺距	
5	65	100	11°
4	65	50	5.5°
3	65	5	0.6°
2	65	-50	-5.5°
1	65	-100	-11°

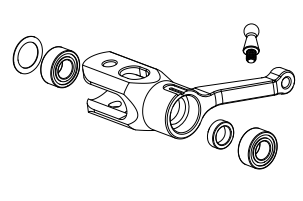
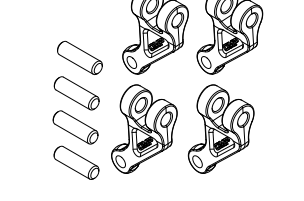
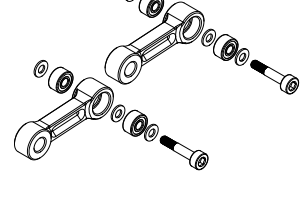
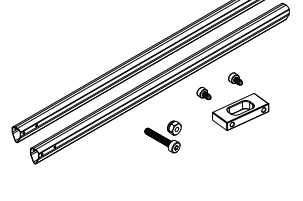
IDLE 1 Model IDLE 2模式			
Throttle 油门		Screw Pitch 螺距	
5	80	100	11°
4	80	50	5.5°
3	80	0	0°
2	80	-50	-5.5°
1	80	-100	-11°

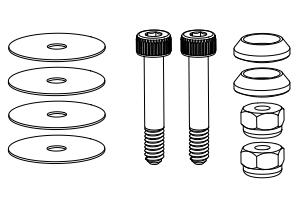
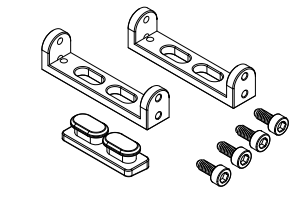
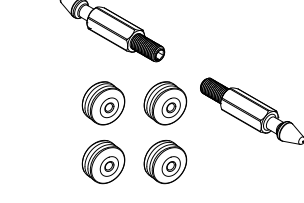
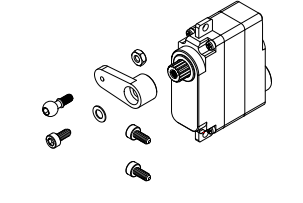
Attitude mode /3D mode 姿态模式/3D模式			
Modes 模式	CH5	Flight Control LED 飞控LED	
Attitude Modes 姿态模式	75-100		Blue LED Steady Lit 蓝灯常亮
			Red LED Steady Lit 红灯常亮
3D Modes 3D模式	0-25		Blue LED Steady Lit 蓝灯常亮
			Red LED Slow Flash 红灯慢闪

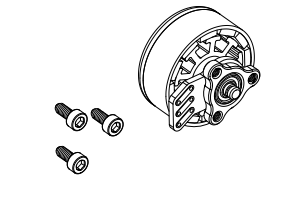
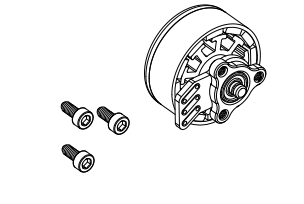
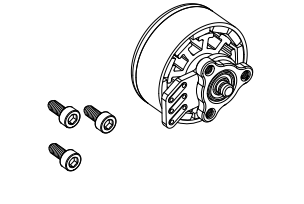
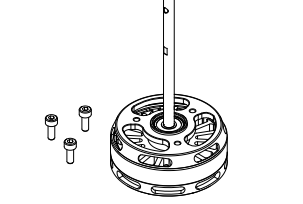
Power On Self Test / Binding 通电自检/对频		
Status 状态	Flight Control LED 飞控LED	
Power On Self Test 上电自检		The M2 should be placed on the ground to be energized. After Led flash quickly and wait for 3 seconds until the blue Led is steady lit.
Before Binding 对频前		Blue LED Slow Flash 蓝灯慢闪
After Binding 对频后		Blue LED Steady Lit 蓝灯常亮

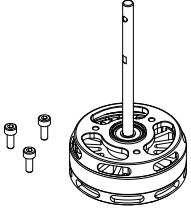
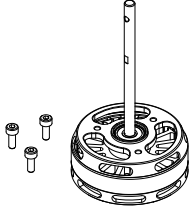

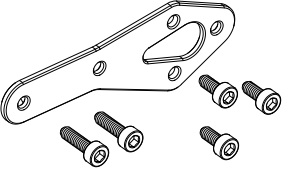
<p>Model: OSHM2301 配件编号: OSHM2301 Package: Hang tag +PE bag 包装方式: 吊卡+PE袋 Product name: Servo Mount set 配件名称: 舵机固定座组</p> 	<p>Model: OSHM2302 配件编号: OSHM2302 Package: Hang tag +PE bag 包装方式: 吊卡+PE袋 Product name: Main Motor Mount set 配件名称: 主电机固定座组</p> 	<p>Model: OSHM2303 配件编号: OSHM2303 Package: Hang tag +PE bag 包装方式: 吊卡+PE袋 Product name: Coaxiality mount 配件名称: 同心度保持架组</p> 	<p>Model: OSHM2304 配件编号: OSHM2304 Package: Hang tag +PE bag 包装方式: 吊卡+PE袋 Product name: Carbon fiber middle frame 配件名称: 机身中加强板</p> 
---	---	--	---

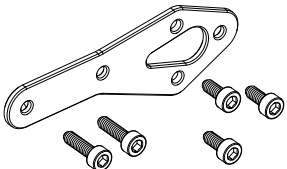
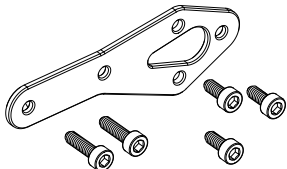
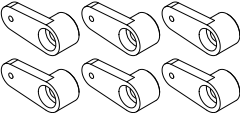
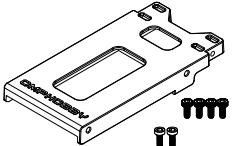
<p>Model: OSHM2305 配件编号: OSHM2305 Package: Hang tag +PE bag 包装方式: 吊卡+PE袋 Product name: Swash plate set 配件名称: 横斜盘组</p> 	<p>Model: OSHM2306 配件编号: OSHM2306 Package: Hang tag +PE bag 包装方式: 吊卡+PE袋 Product name: Main shaft & Feathering shaft set 配件名称: 主轴、横轴组</p> 	<p>Model: OSHM2307 配件编号: OSHM2307 Package: Hang tag +PE bag 包装方式: 吊卡+PE袋 Product name: Spacing ring Set 配件名称: 限位环</p> 	<p>Model: OSHM2308 配件编号: OSHM2308 Package: Hang tag +PE bag 包装方式: 吊卡+PE袋 Product name: Main Rotor housing set 配件名称: 旋翼中心座组</p> 
---	---	--	--

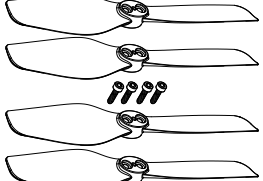



<p>Model: OSHM2309 配件编号: OSHM2309 Package: Hang tag +PE bag 包装方式: 吊卡+PE袋 Product name: Main Rotor Holder set 配件名称: 桨头组</p> 	<p>Model: OSHM2310 配件编号: OSHM2310 Package: Hang tag +PE bag 包装方式: 吊卡+PE袋 Product name: Swash plate ball joint arm 配件名称: 横斜盘球头臂</p> 	<p>Model: OSHM2311 配件编号: OSHM2311 Package: Hang tag +PE bag 包装方式: 吊卡+PE袋 Product name: FBL Pros and Cons linkage rod 配件名称: FBL 摆距臂</p> 	<p>Model: OSHM2312 配件编号: OSHM2312 Package: Hang tag +PE bag 包装方式: 吊卡+PE袋 Product name: Tail Boom set 配件名称: 尾管组</p> 
--	--	---	--

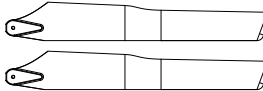
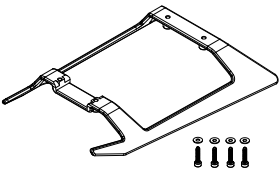
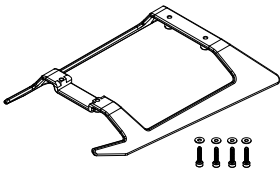
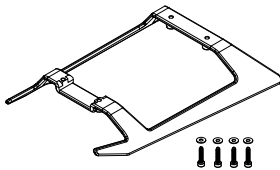
<p>Model: OSHM2313 配件编号: OSHM2313 Package: Hang tag +PE bag 包装方式: 吊卡+PE袋 Product name: Main Rotor Holder Screw group 配件名称: 主桨头螺丝组</p> 	<p>Model: OSHM2314, OSHM2026 配件编号: OSHM2314 Package: Hang tag +PE bag 包装方式: 吊卡+PE袋 Product name: Canopy Fixed Bolt Set 配件名称: 脚架固定座组</p> 	<p>Model: OSHM2315 配件编号: OSHM2315 Package: Hang tag +PE bag 包装方式: 吊卡+PE袋 Product name: Canopy Fixed Bolt set 配件名称: 机壳固定柱组</p> 	<p>Model: OSHM2094 配件编号: OSHM2094 Package: Hang tag +PE bag 包装方式: 吊卡+PE袋 Product name: Servo set 配件名称: 舵机组</p> 
---	---	--	--

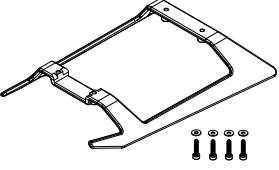
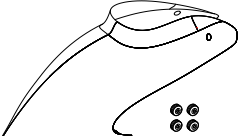
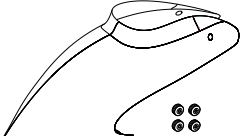
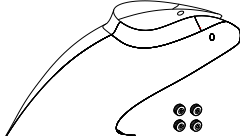
<p>Model: OSHM2316Y 配件编号: OSHM2316Y Package: Hang tag +PE bag 包装方式: 吊卡+PE袋 Product name: Tail Motor set-Yellow 配件名称: 尾电机(黄色)</p> 	<p>Model: OSHM2316W 配件编号: OSHM2316W Package: Hang tag +PE bag 包装方式: 吊卡+PE袋 Product name: Tail Motor set-Silver 配件名称: 尾电机(银色)</p> 	<p>Model: OSHM2316O 配件编号: OSHM2316O Package: Hang tag +PE bag 包装方式: 吊卡+PE袋 Product name: Tail Motor set-Orange 配件名称: 尾电机(橙色)</p> 	<p>Model: OSHM2317Y 配件编号: OSHM2317Y Package: Hang tag +PE bag 包装方式: 吊卡+PE袋 Product name: Main Motor set-Yellow 配件名称: 主电机组(黄色)</p> 
--	--	---	---

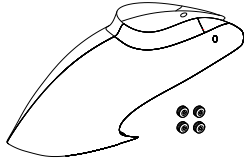
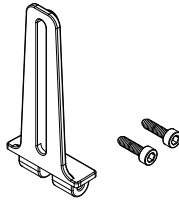
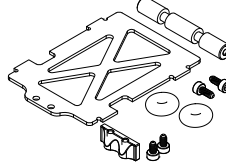
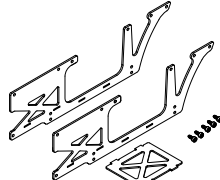
<p>Model: OSHM2317W Package: Hang tag +PE bag 配件编号: OSHM2317W 包装方式: 吊卡+PE袋 Product name: Main Motor set-Silver 配件名称: 主电机组 (银色)</p> 	<p>Model: OSHM2317O Package: Hang tag +PE bag 配件编号: OSHM2317O 包装方式: 吊卡+PE袋 Product name: Main Motor set-Orange 配件名称: 主电机组 (橙色)</p> 	<p>Model: OSHM2014 Package: Hang tag +PE bag 配件编号: OSHM2014 包装方式: 吊卡+PE袋 Product name: Servo Linkage Rod set 配件名称: 舵机连杆组</p> 	<p>Model: OSHM2318W Package: Hang tag +PE bag 配件编号: OSHM2318W 包装方式: 吊卡+PE袋 Product name: Tail Motor Reinforcement Plate set-Silver 配件名称: 尾电机加强片组 (银色)</p> 
---	---	--	--

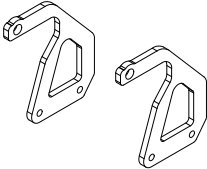
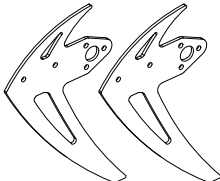
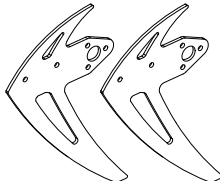
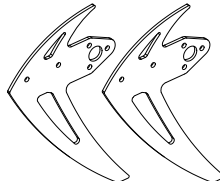
<p>Model: OSHM2318Y Package: Hang tag +PE bag 配件编号: OSHM2318Y 包装方式: 吊卡+PE袋 Product name: Tail Motor Reinforcement Plate set-Yellow 配件名称: 尾电机加强片组 (黄色)</p> 	<p>Model: OSHM2318O Package: Hang tag +PE bag 配件编号: OSHM2318O 包装方式: 吊卡+PE袋 Product name: Tail Motor Reinforcement Plate set-Orange 配件名称: 尾电机加强片组 (橙色)</p> 	<p>Model: OSHM2059 Package: Hang tag +PE bag 配件编号: OSHM2059 包装方式: 吊卡+PE袋 Product name: Servo Swing Arm (6pcs) 配件名称: 舵机摆臂组</p> 	<p>Model: OSHM2319 Package: Hang tag +PE bag 配件编号: OSHM2319 包装方式: 吊卡+PE袋 Product name: Flight Control Mounting Panel set 配件名称: 飞机机身塑胶固定座</p> 
--	--	---	---

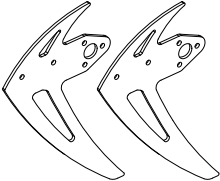
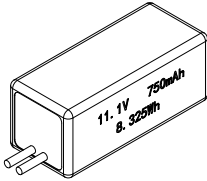
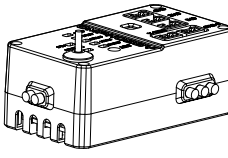
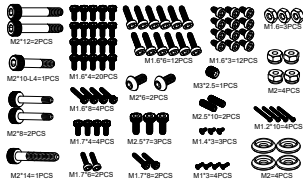
<p>Model: OSHM2320 Package: Hang tag +PE bag 配件编号: OSHM2320 包装方式: 吊卡+PE袋 Product name: Tail Blade set 配件名称: 尾桨组</p> 	<p>Model: OSHM2321Y Package: Hang tag +PE bag 配件编号: OSHM2321Y 包装方式: 吊卡+PE袋 Product name: Main Blades-Racing Yellow 配件名称: 主桨 (竞速黄)</p> 	<p>Model: OSHM2321O Package: Hang tag +PE bag 配件编号: OSHM2321O 包装方式: 吊卡+PE袋 Product name: Main Blades-Elegant White 配件名称: 主桨 (典雅白)</p> 	<p>Model: OSHM2321Y Package: Hang tag +PE bag 配件编号: OSHM2321Y 包装方式: 吊卡+PE袋 Product name: Main Blades-Charm Orange 配件名称: 主桨 (魅力橙)</p> 
--	--	---	---

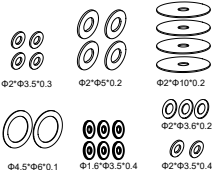
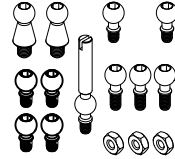


<p>Model: OSHM2321R Package: Hang tag +PE bag 配件编号: OSHM2321R 包装方式: 吊卡+PE袋 Product name: Main Blades-Glamour Red 配件名称: 主桨 (魅力红)</p> 	<p>Model: OSHM2322Y Package: Hang tag +PE bag 配件编号: OSHM2322Y 包装方式: 吊卡+PE袋 Product name: Landing Skids set-Racing Yellow 配件名称: 脚架组 (竞速黄)</p> 	<p>Model: OSHM2322W Package: Hang tag +PE bag 配件编号: OSHM2322W 包装方式: 吊卡+PE袋 Product name: Landing Skids set-Elegant White 配件名称: 脚架组 (竞速蓝)</p> 	<p>Model: OSHM2322O Package: Hang tag +PE bag 配件编号: OSHM2322O 包装方式: 吊卡+PE袋 Product name: Landing Skids set-Charm Orange 配件名称: 脚架组 (竞速橙)</p> 
--	---	--	--



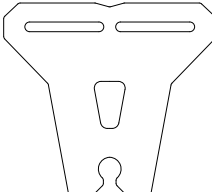

<p>Model: OSHM2322R Package: Hang tag +PE bag 配件编号: OSHM2322R 包装方式: 吊卡+PE袋 Product name: Landing Skids set-Glamour Red 配件名称: 脚架组 (竞速红)</p> 	<p>Model: OSHM2323Y Package: Hang tag +PE bag 配件编号: OSHM2323Y 包装方式: 吊卡+PE袋 Product name: Canopy set-Racing Yellow 配件名称: 机头罩 (竞速黄)</p> 	<p>Model: OSHM2323W Package: Hang tag +PE bag 配件编号: OSHM2323W 包装方式: 吊卡+PE袋 Product name: Canopy set-Elegant White 配件名称: 机头罩 (典雅白)</p> 	<p>Model: OSHM2323O Package: Hang tag +PE bag 配件编号: OSHM2323O 包装方式: 吊卡+PE袋 Product name: Canopy set-Charm Orange 配件名称: 机头罩 (魅力橙)</p> 
---	--	---	---

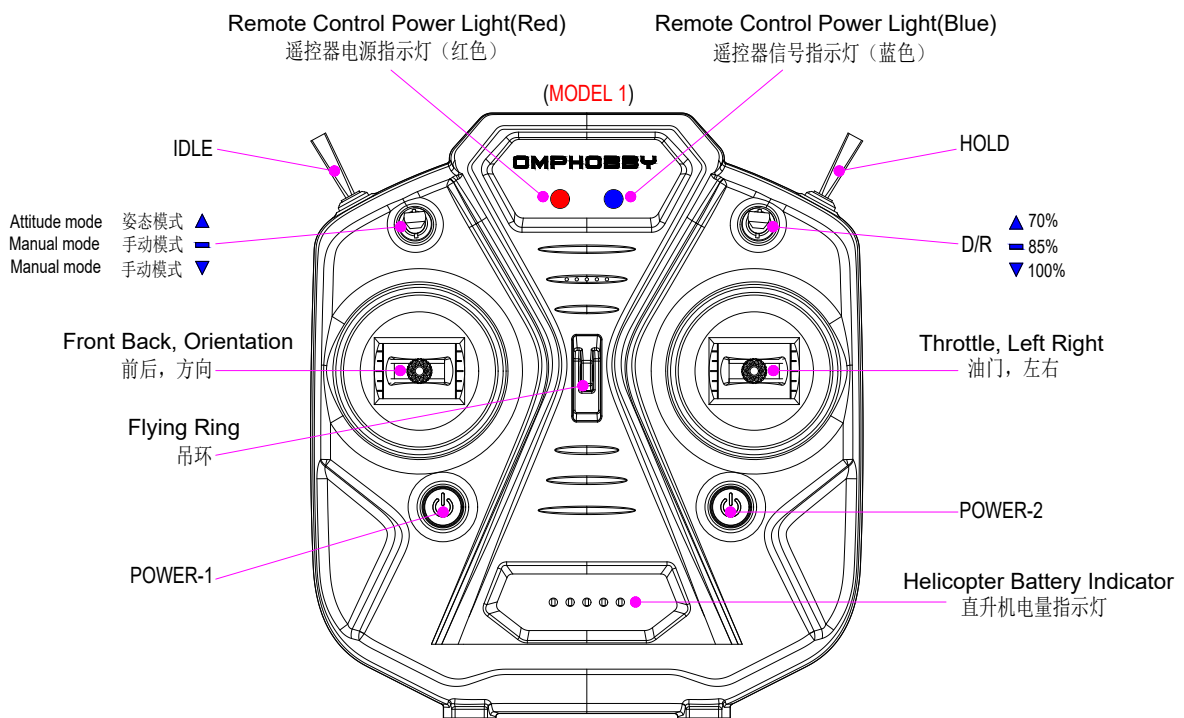
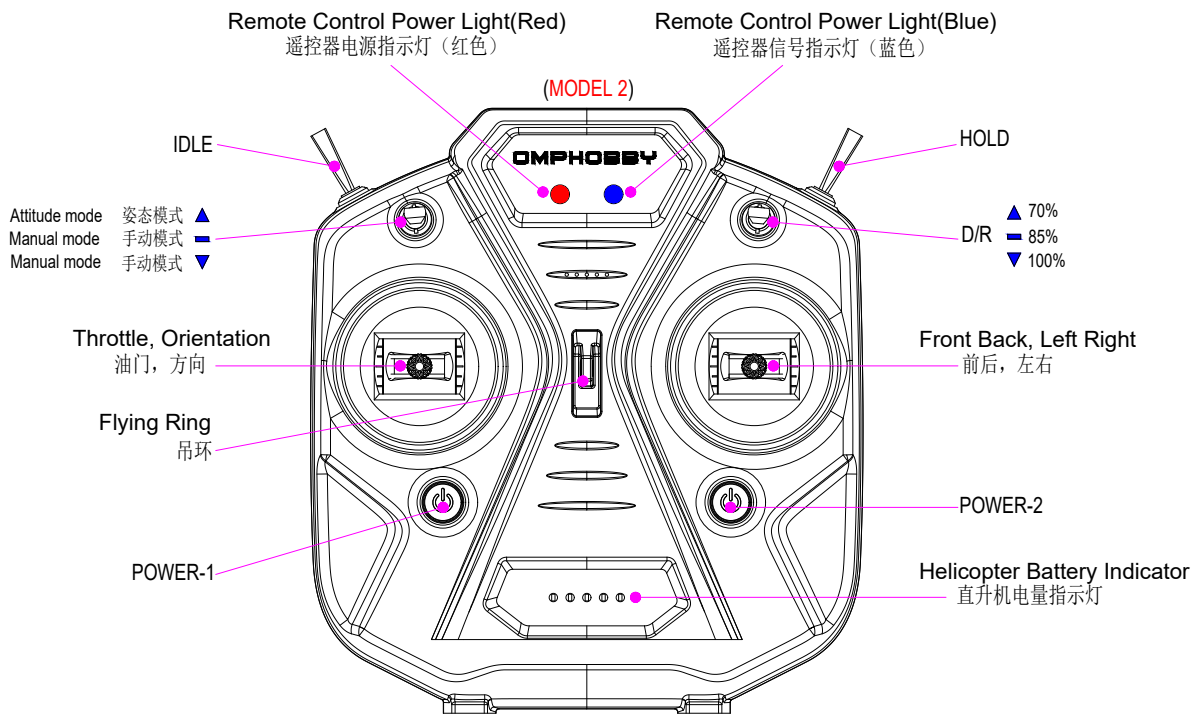
<p>Model: OSHM2323R Package: Hang tag +PE bag 配件编号: OSHM2323R 包装方式: 吊卡+PE袋 Product name: Canopy set-Glamour Red 配件名称: 机头罩 (魅力红)</p> 	<p>Model: OSHM2324 Package: Hang tag +PE bag 配件编号: OSHM2324 包装方式: 吊卡+PE袋 Product name: Phase Panel set 配件名称: 相位座组</p> 	<p>Model: OSHM2325 Package: Hang tag +PE bag 配件编号: OSHM2325 包装方式: 吊卡+PE袋 Product name: battery lower panel set 配件名称: 电池仓下板组</p> 	<p>Model: OSHM2326 Package: Hang tag +PE bag 配件编号: OSHM2326 包装方式: 吊卡+PE袋 Product name: Fuselage Carbon panel set 配件名称: 机身侧板组 (克连黄)</p> 
--	--	---	---

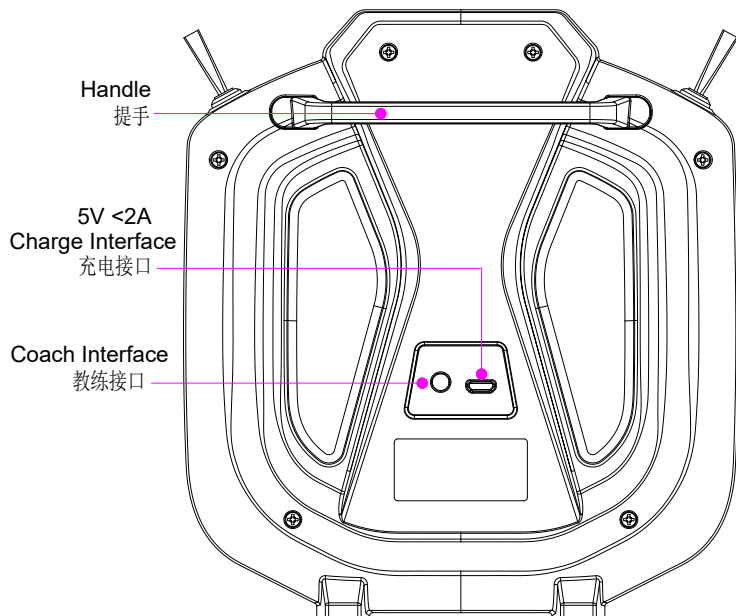
<p>Model: OSHM2327 Package: Hang tag +PE bag 配件编号: OSHM2327 包装方式: 吊卡+PE袋 Product name: Frame Rear carbon Reinforcement Plate set 配件名称: 机身碳纤维加强片</p> 	<p>Model: OSHM2328W Package: Hang tag +PE bag 配件编号: OSHM2328W 包装方式: 吊卡+PE袋 Product name: Vertical Stabilizer set-Elegant White 配件名称: 垂直翼组 (典雅白)</p> 	<p>Model: OSHM2328Y Package: Hang tag +PE bag 配件编号: OSHM2328Y 包装方式: 吊卡+PE袋 Product name: Vertical Stabilizer set-Racing Yellow 配件名称: 垂直翼组 (克赛黄)</p> 	<p>Model: OSHM2328O Package: Hang tag +PE bag 配件编号: OSHM2328O 包装方式: 吊卡+PE袋 Product name: Vertical Stabilizer set-Charm Orange 配件名称: 垂直翼组 (魔力橙)</p> 
--	--	---	---

<p>Model: OSHM2328R Package: Hang tag +PE bag 配件编号: OSHM2328R 包装方式: 吊卡+PE袋 Product name: Vertical Stabilizer set-Glamour Red 配件名称: 垂直翼组 (魅力红)</p> 	<p>Model: OSHM2329 Package: Hang tag +PE bag 配件编号: OSHM2329 包装方式: 吊卡+PE袋 Product name: battery 配件名称: 电池</p> 	<p>Model: OSHM2113 Package: Hang tag +PE bag 配件编号: OSHM2113 包装方式: 吊卡+PE袋 Product name: Flight controller set 配件名称: 飞控组</p> <p>焊接好端子</p> 	<p>Model: OSHM2330 Package: Hang tag +PE bag 配件编号: OSHM2330 包装方式: 吊卡+PE袋 Product name: M2 EVO Screw Kit set 配件名称: M2 EVO螺丝组</p> 
--	--	---	--

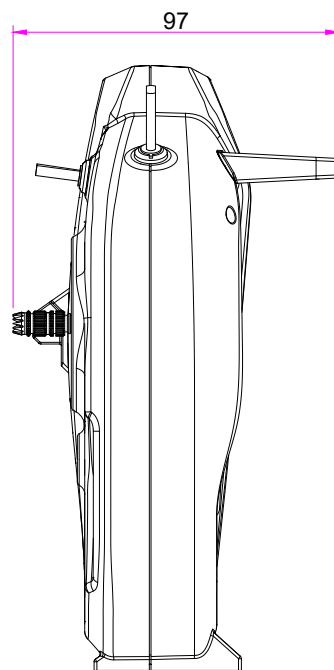
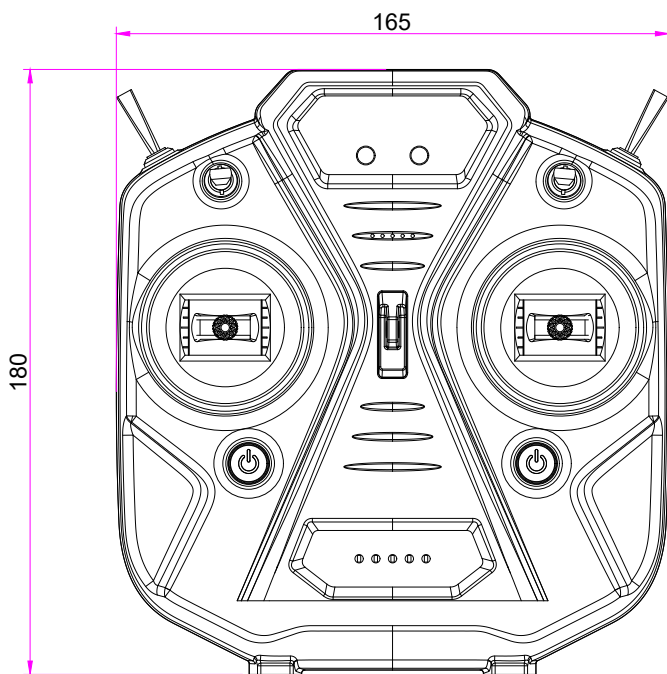
<p>Model: OSHM2331 Package: Hang tag +PE bag 配件编号: OSHM2331 包装方式: 吊卡+PE袋 Product name: M2 EVO Full set washes 配件名称: M2 EVO垫片组</p> 	<p>Model: OSHM2332 Package: Hang tag +PE bag 配件编号: OSHM2332 包装方式: 吊卡+PE袋 Product name: M2 EVO Ball screw set 配件名称: M2 EVO球头螺丝组</p> 	<p>Model: OSHM2333 Package: Hang tag +PE bag 配件编号: OSHM2333 包装方式: 吊卡+PE袋 Product name: Rotor Holder Bearing set 配件名称: 桨夹轴承</p> 	<p>Model: OSHM2050 Package: Hang tag +PE bag 配件编号: OSHM2050 包装方式: 吊卡+PE袋 Product name: Swash plate Bearing 配件名称: 横轴盖轴承</p> 
--	---	--	---

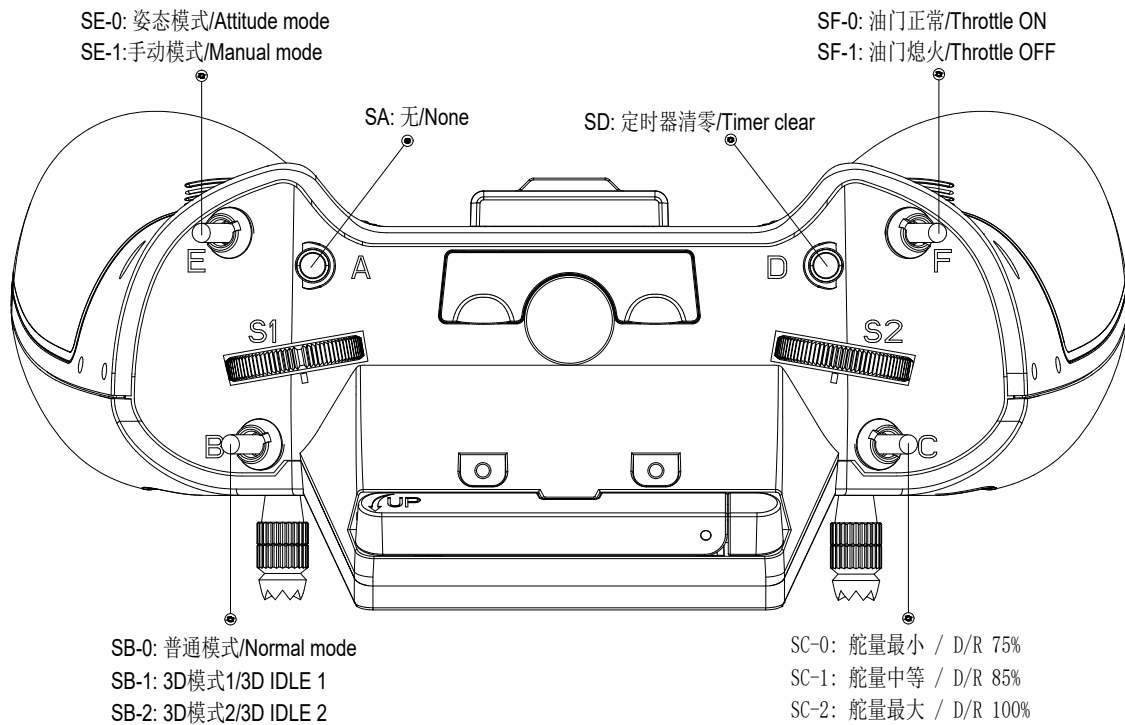
<p>Model: OSHM2335 Package: Hang tag +PE bag 配件编号: OSHM2335 包装方式: 吊卡+PE袋 Product name: Sub-arm Bearing 配件名称: 辅助臂轴承</p> 	<p>Model: OSHM2049 Package: Hang tag +PE bag 配件编号: OSHM2049 包装方式: 吊卡+PE袋 Product name: Coaxiality Bearing 配件名称: 同心柱轴承</p> 	<p>Model: OSHM2042 Package: Hang tag +PE bag 配件编号: OSHM2042 包装方式: 吊卡+PE袋 Product name: Main Blade Support Frame set 配件名称: 主翼支撑架</p> 	<p>Model: OSHM2045 Package: Hang tag +PE bag 配件编号: OSHM2045 包装方式: 吊卡+PE袋 Product name: Damper Rubber 配件名称: 横轴减震套</p> 
---	--	---	---





- (Product Model)产品型号: T6
- (Diameters)外形尺寸长: L165*W98*H180
- (Radio Frequency)无线频率: 2.413GHz--2.453 GHz
- (Transmit Power)发射功率: < 20 dBm
- (Weight)重量约: 345g
- (Modulation Mode)调制方式: GFSK
- (Spread Spectrum Mode)扩频方式: FHSS
- (Working Voltage)工作电压: 3.7V
- (Remote Distance)遥控距离: 800m
- (Charge Interface)充电接口: Micro
- (Low Voltage Alarm)低电压报警: 3.4V
- (Battery Type)电池类型: Lithium Polyer Battery
- (Battery Capacity)电池容规格: 2500mAh 3.7V
- (Coach Interface)教练接口: Yes





Remote sensing description of Zorro remote control
Zorro遥控器的遥感说明

OMP HOBBY

Zhuhai edge smart dirve technology Co., Ltd
www.omphobby.com

© 2022