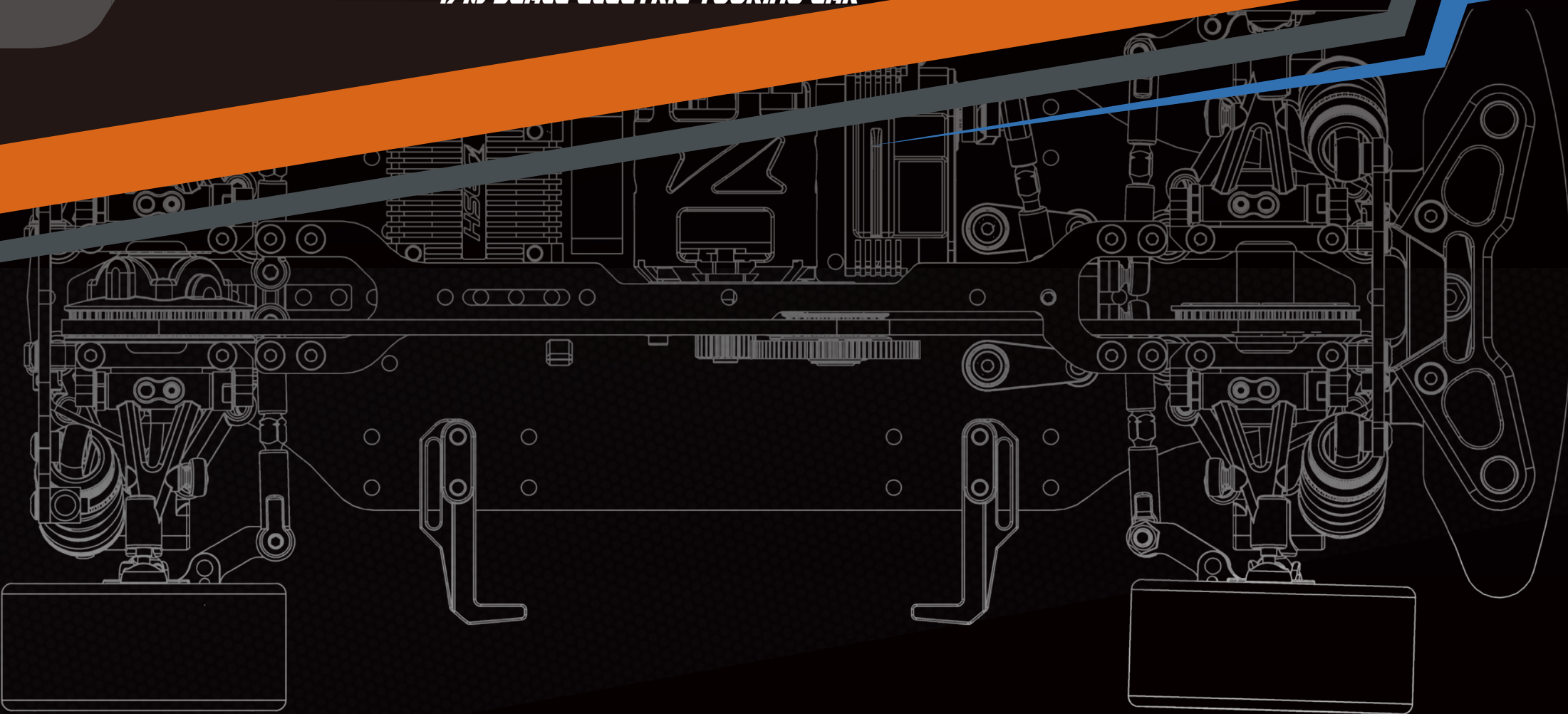


X20 mini

1/10 SCALE ELECTRIC TOURING CAR



SERPENT

INTRODUCTION

Thank you very much for selecting this Serpent rc car and thus become a member of the ever growing worldwide Serpent racing family. Serpent started in 1980 and has been growing its product-line and fan-base ever since.

The Serpent Medius X20 Mini is a state of the art 1/10 scale 4WD touringcar which will give you the true Serpent racing experience. The assembly manual will guide you through all the steps to complete the car, so you can hit the track with a good base-set-up soonest. The Serpent design department succeeded to create a superbly performing car combined with eas of assembly and maintenance. The high quality standards of all parts and hardware will make racing your Serpent car a very rewarding activity!

Through our team, website and social media we will keep you up-to-date on all developments of the Serpent cars. We hope to meet you on the track and through our various media! Enjoy the drive!

Team Serpent
Multiple World Champions

INSTRUCTIONS

Serpent's long tradition of excellence extends to the instruction manuals, and this instruction manual is no exception. The easy-to-follow layout is richly illustrated with 3D-rendered full-color images to make your building experience quick and easy. Following the instructions will result in a well-built, high-performance race-car that will soon be able to unleash its full potential at the racetrack. The kit includes bags, with bagnumbers, which refer to the same step in the manual. Open only the indicated bag(s) per step and finish that part of the assembly. Remaining parts will be needed lateron in the assembly process.

PLASTIC PARTS

The Serpent moulded parts are very durable and hard. When assembling longer screws in new composite parts, make sure to use new hex bits in your (power) tools. Pre-threading also helps to avoid screw damage.

SETUP

In certain assembly steps you need to make basic adjustments, which will give you a good initial setup for your Serpent Medius X20 Mini Fine-tuning the initial setup is an essential part of building a high-performance racecar like your Serpent

EXPLODED VIEWS AND PARTS LIST

The exploded views and parts lists for the Medius X20 Mini are presented in the Reference Guide section in the back of this manual. The exploded views show all the parts of a particular assembly step along with the Serpent part number and hotlink to the Serpent website. Partnumbers in orange indicates that this part is an optional. Optionals part names and numbers are showed below.

CUSTOMER SERVICE

Serpent has made a strong effort to make this manual as complete and clear as possible. Additional info may be published in our website: www.serpent.com or you may ask your dealer or the Serpent distributor for advice, or email Serpent direct: info@serpent.com. The Serpent Facebook, Twitter and Youtube pages give additional means of support and communications.

SAFETY

Read and take note of the 'Read this First section' before proceeding to assemble the car-kit. This car-kit is intended for persons aged 16 or older.

READ THIS FIRST!

- This is a highly technical hobby product, intended to be used in a safe racing environment. This car is capable of speeds in excess of 80 km/h or 50mph. Please follow these guidelines when building and operating this model.
- Parental guidance is required when the builder/user of this car is under 16.
- Follow the building instructions. If in doubt, contact your dealer or importer.
- Be sure to use the proper tools when assembling the car. Always exercise caution when using electric tools, knives and other sharp objects.
- Be careful when using liquids like lubrication oil, fuel or glue. Do not swallow.
- Follow the manufacturer's instruction in case you experience irritation after using the product.
- Be careful when operating the car. Stay away from any rotating parts such as wheels, gears and transmission. Stay away from motor, engine and exhaust pipe system or speedo during and immediately after use, as these parts may be very hot. We advise to use protective hand cloves.
- Only operate this car in a safe environment, like a special racing track or a closed parking lot. Avoid using this car on public roads, crowded places or near infants.
- Before operating this car, always check the mechanical status of the car. Also check that the transmitter and receiver frequencies correspond and are not used by any other racer at the same time. Check that the batteries of the transmitter and receiver- are fully charged.
- After use, always check all the mechanics of the car. We advise to clean the car immediately after use, and inspect the parts for wear or fractures. Replace when necessary. Do not use water, methanol, thinner or other solvents to clean the car.
- Empty the fuel tank (depending on model) if needed and disconnect the receiver battery.
- Store the car in a dry and heated place to avoid corrosion of metal parts.
- Avoid using this car in wet conditions as the water will cause corrosion on the metal parts and bearings and these parts will cease to function properly. If driven in the wet, ensure that all the electric equipment is waterproofed and after use, that all moving parts are dried immediately.

CONTENTS

• DIFF ASSEMBLY.....	4
• CVD ASSEMBLY.....	6
• FRONT & REAR ASSEMBLY.....	8
• MOTORMOUNT ASSEMBLY.....	11
• REAR ASSEMBLY.....	15
• FRONT ASSEMBLY.....	18
• ANTIROLLBAR ASSEMBLY.....	22
• STEERING ASSEMBLY.....	23
• CENTRAL ASSEMBLY.....	27
• SHOCK ASSEMBLY.....	29
• BUMPER ASSEMBLY.....	31
• FINAL ASSEMBLY.....	33
• EXPLODE VIEWS.....	54

LINES DESCRIPTION

Each step contains a variety of numbers, lines, and symbols. The numbers represent the order in which the parts should be assembled. The lines are described below.



Step number; the order in which you should assemble the indicated parts



Length after assembly



Assembly path of one item into another



Group of items (within lines) should be assembled first



Direction the item should be moved



Glue one item to another



Press/insert one item into another



Connect one item to another



Gap between two items

ICONS DESCRIPTION

Each step contains a variety of symbols described below.



Carefull, read and check very well.



Apply a small amount of cyano glue. Use wear protection for eyes and hands.



Detail view to explain assembly or order of parts better.



Default set-up: This symbol indicates the default setup.



Grease: apply a small amount of grease to the parts shown.



Left and right parts should be assembled in the same way.



Thread lock: apply a small amount on the parts shown. Before to apply the threadlock, make sure to degrease the parts very well, as otherwise the threadlock will not work.



Silicone oil: use the indicated silicone oil for the shocks and differentials.



Parts or items not included in the kit.

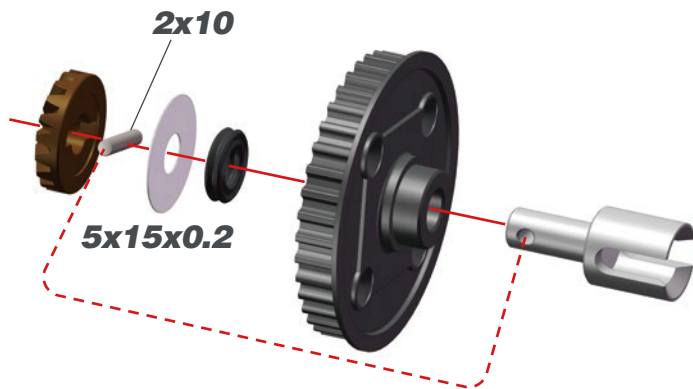
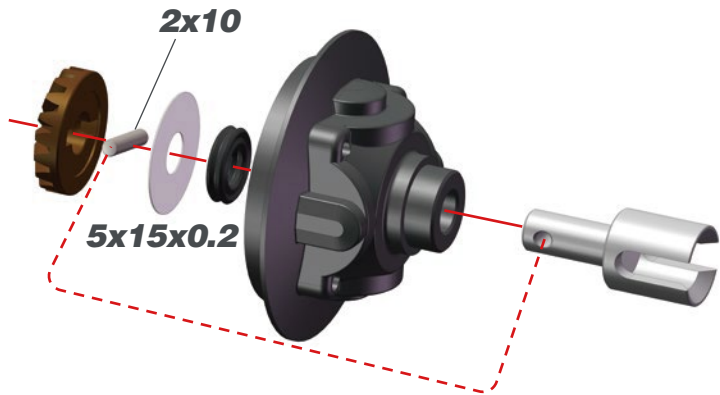


Optional part, not standard in the kit.

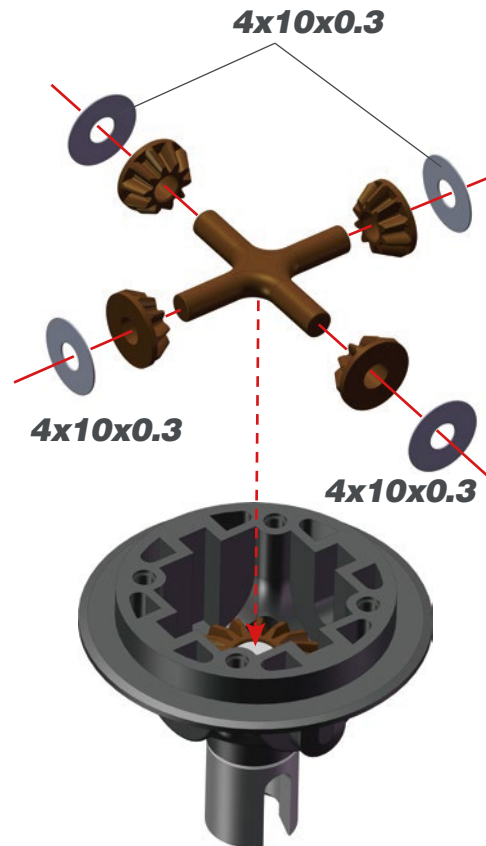
STEP 1

DIFF BAG

1.1



1.2



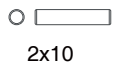
Fill the differential with silicone oil 1 mm above the crosspin, do NOT overfill. Use the silicone oil supplied in the kit. For the correct cst value please check the default setupsheet.



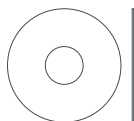
AMOUNT OF OIL IN THE DIFFS

Use a digital scale to measure the exact amount of oil in the diff.

Differential weight with volume compensators = 11.5 grams



2x10



5x15x0.2

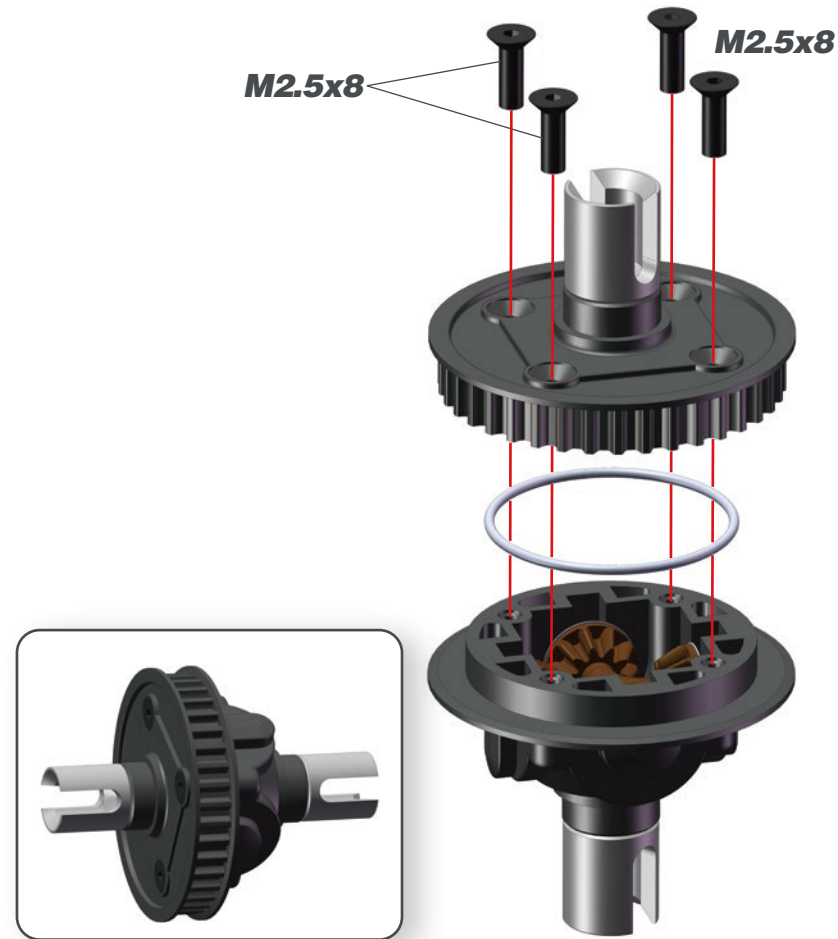


4x10x0.3

STEP 1

STEP 1 SOLID AXLE BAG

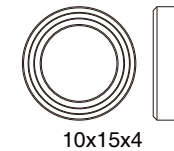
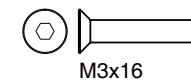
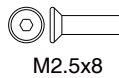
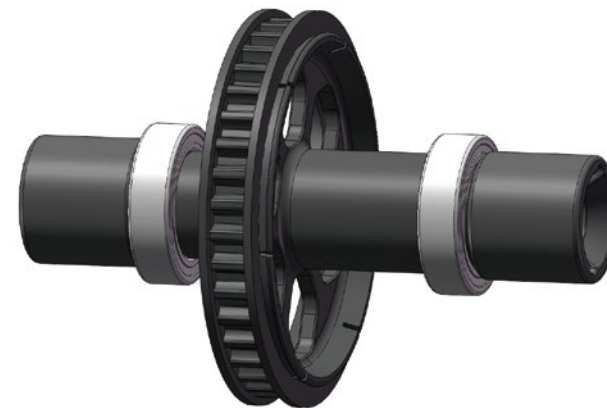
1.3



1.4

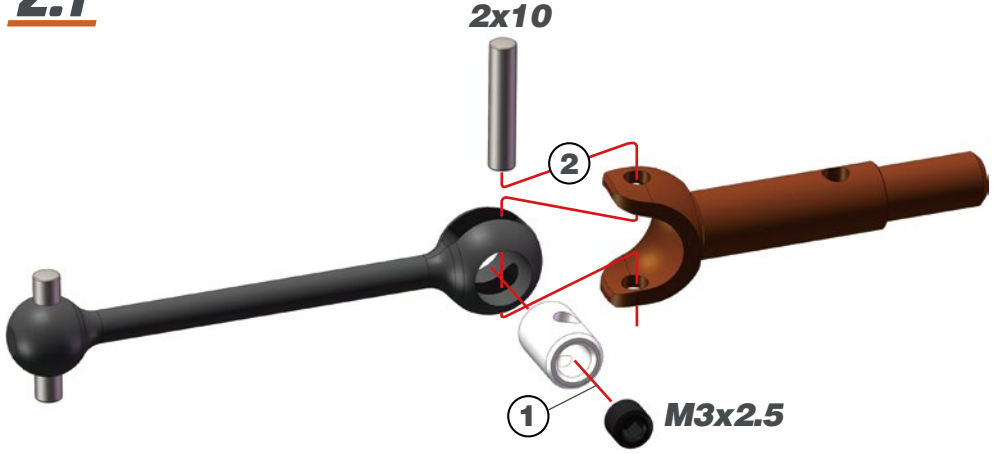


1.5



STEP 2 CVD BAG

2.1



2.3 REAR

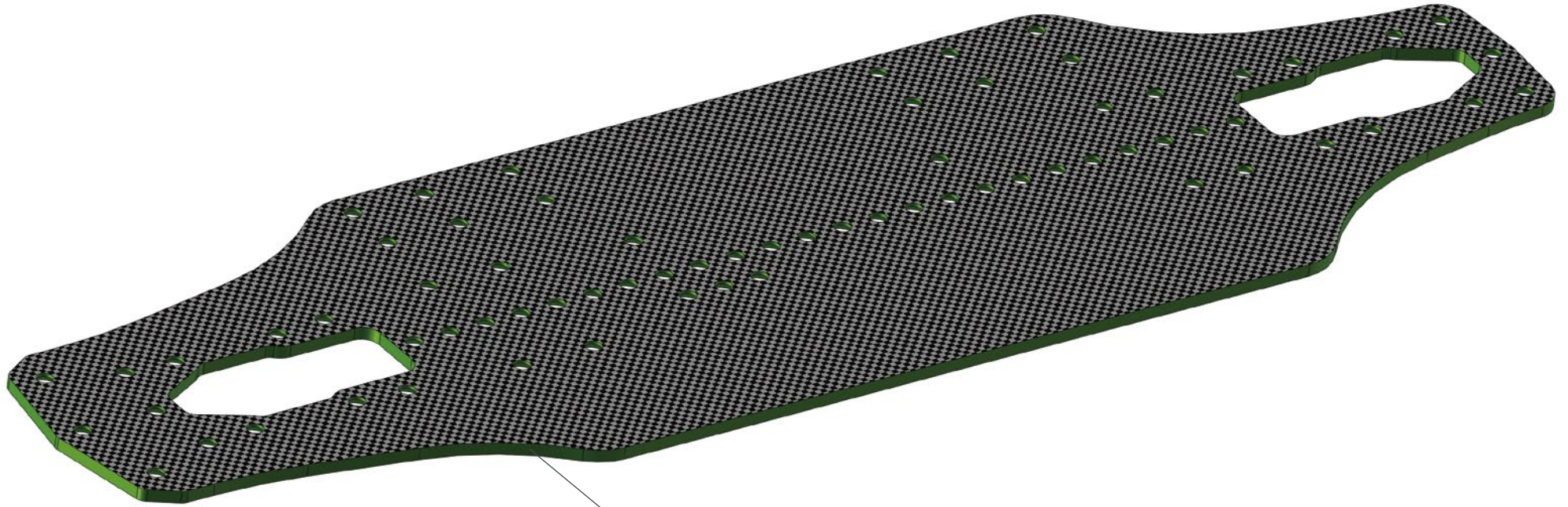


2.2 FRONT



2.4





STEP 3

BAG 1

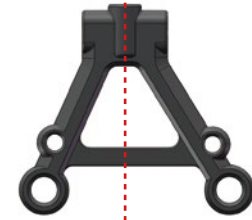
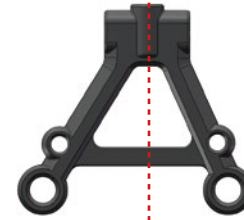
3.1



3.2



FRONT

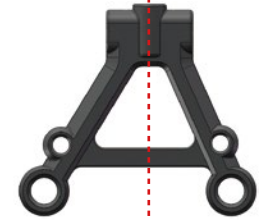
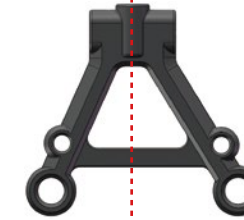


REAR

Wheelbase 210



FRONT

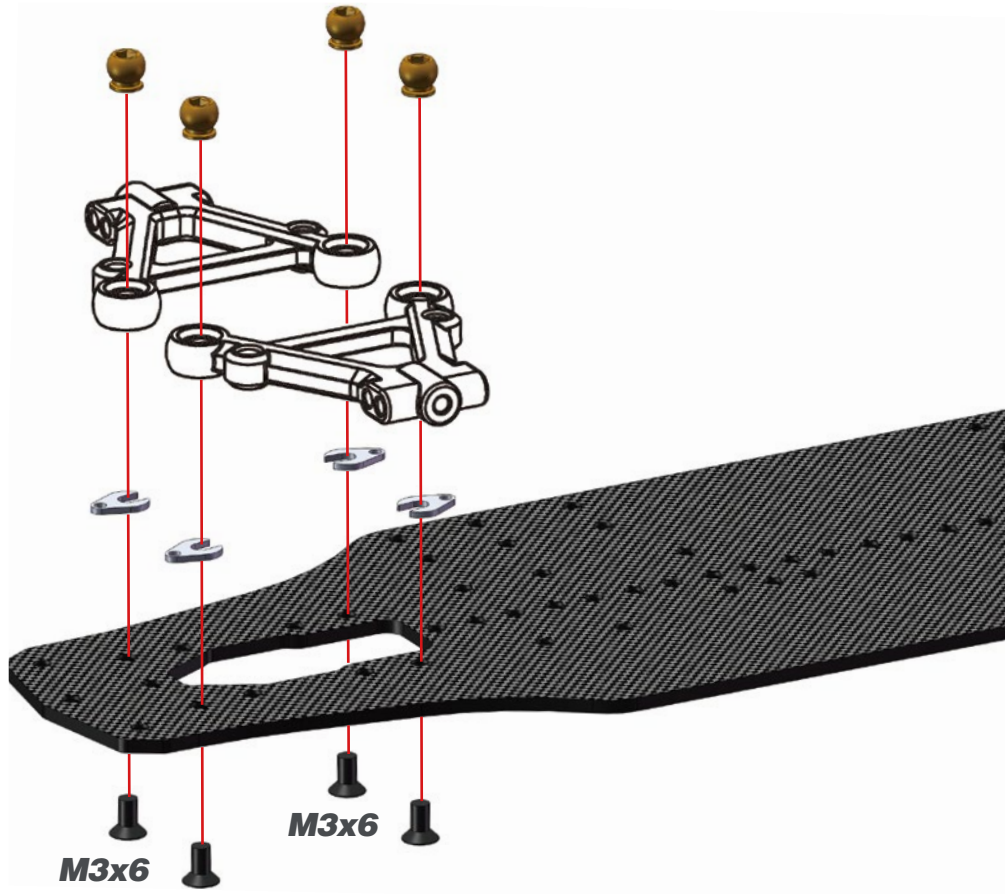


REAR

Wheelbase 225

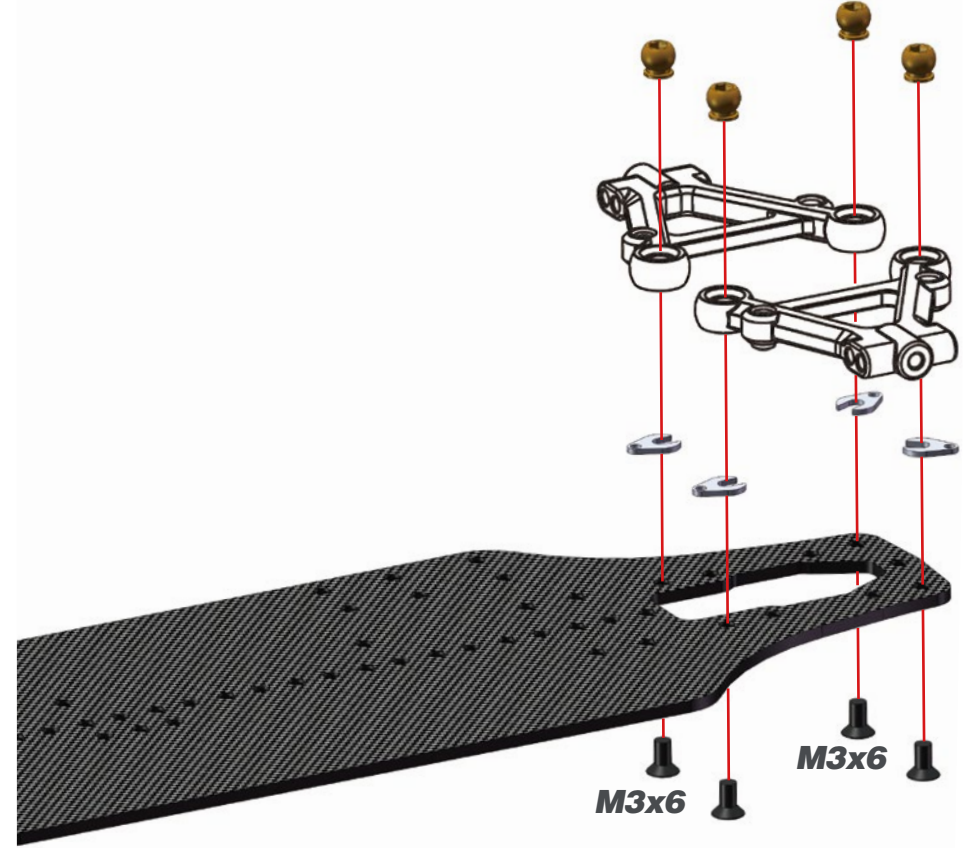
STEP 4

4.1 FRONT



M3x6

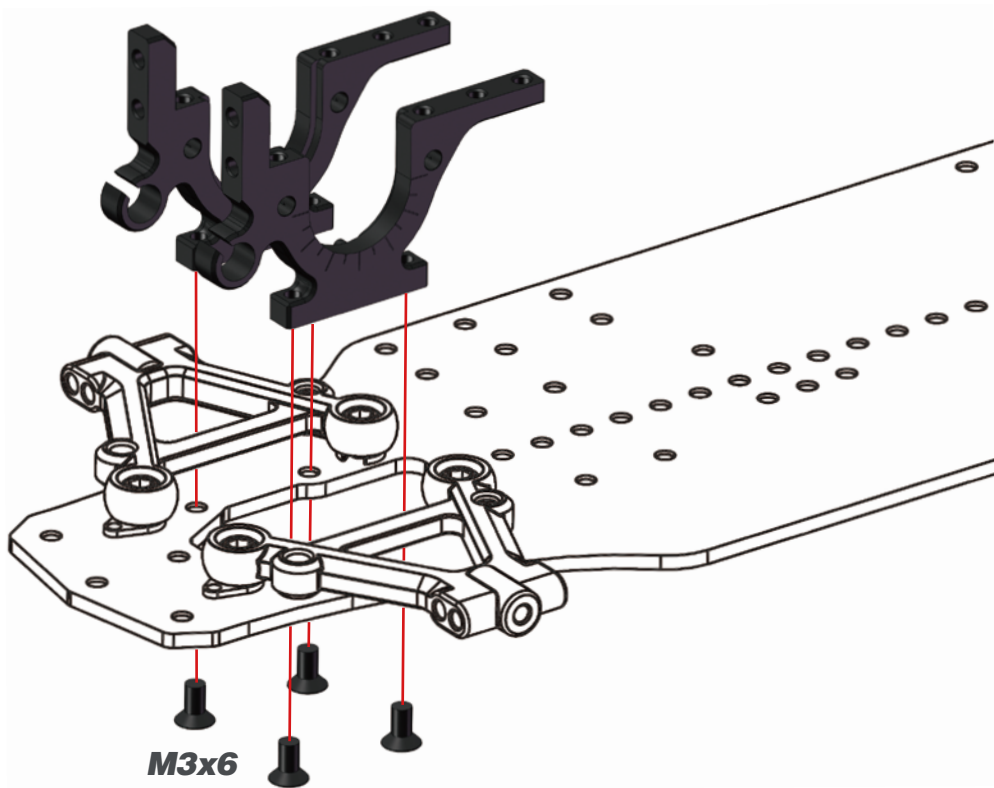
4.2 REAR



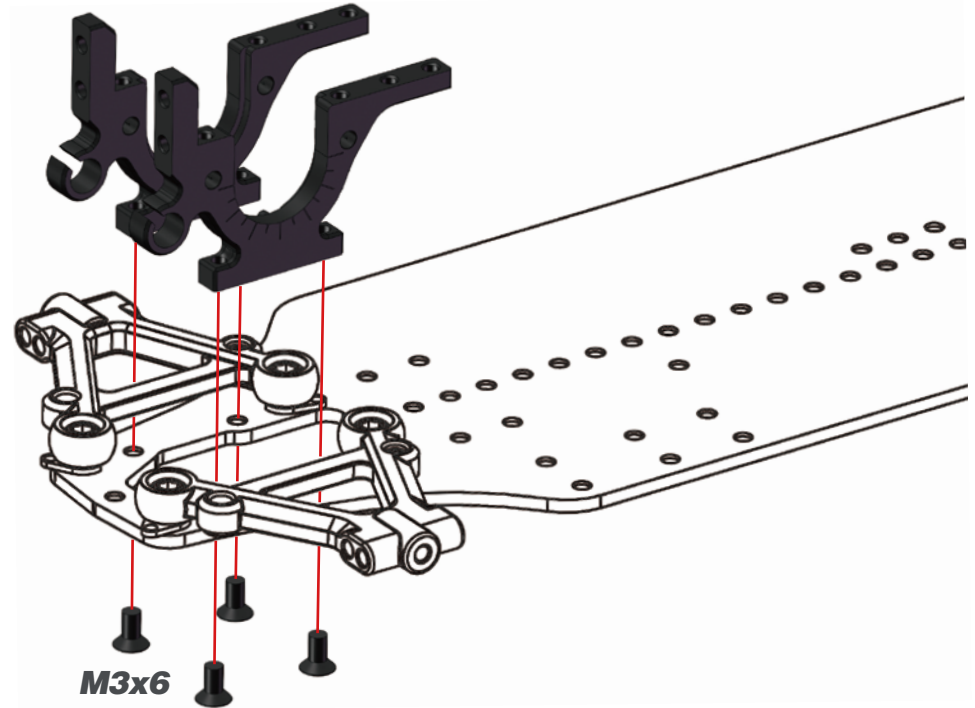
M3x6

STEP 5

5.1 FRONT



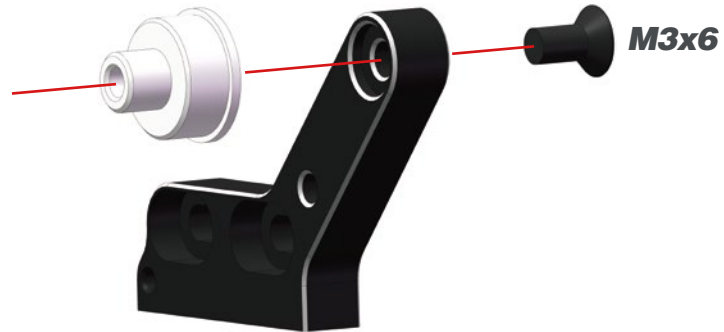
5.2 REAR



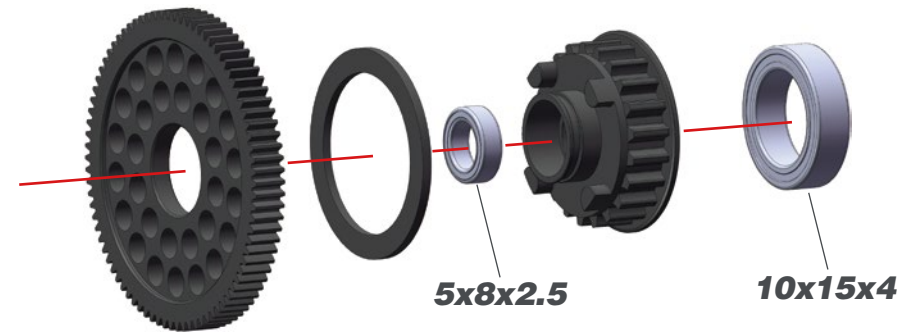
STEP 6

BAG 2

6.1



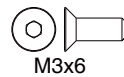
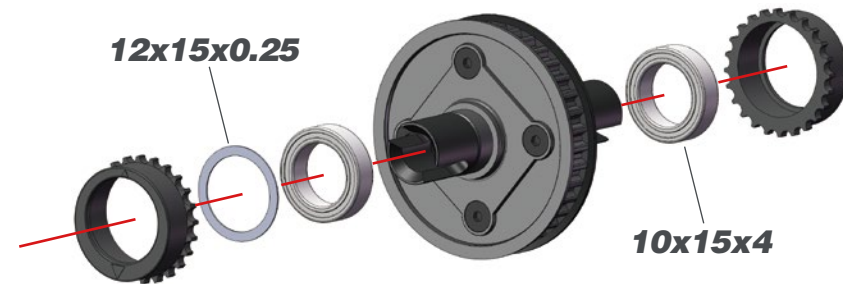
6.2



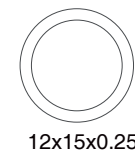
6.3 FRONT



6.4 REAR



M3x6



12x15x0.25



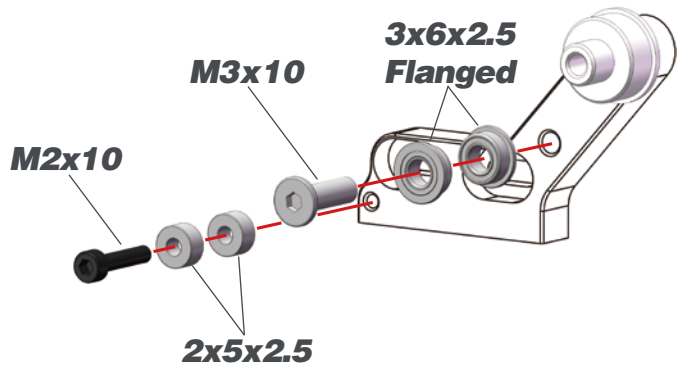
5x8x2.5



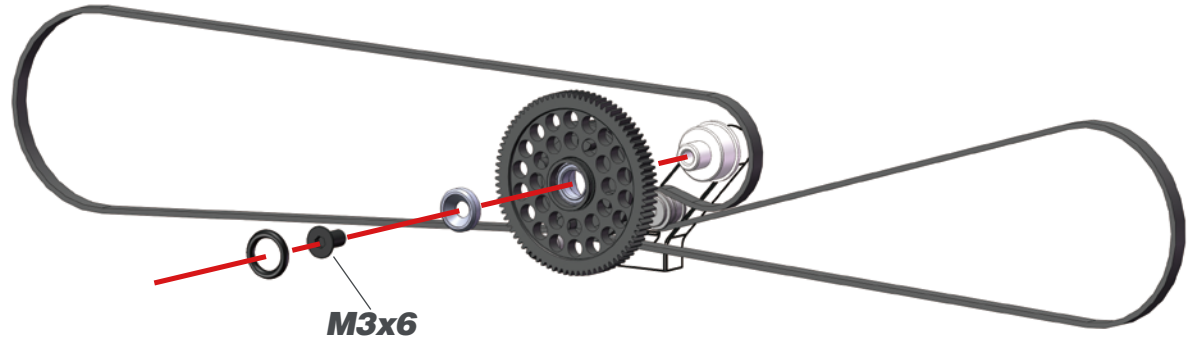
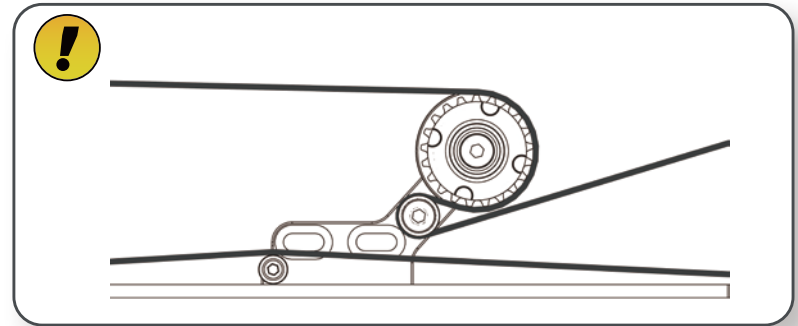
10x15x4

STEP 6

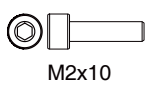
6.5



6.6 4WD



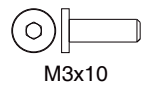
3x6x2.5 Flanged



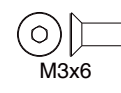
M2x10



2x5x2.5



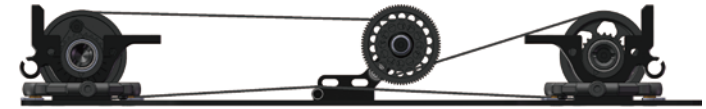
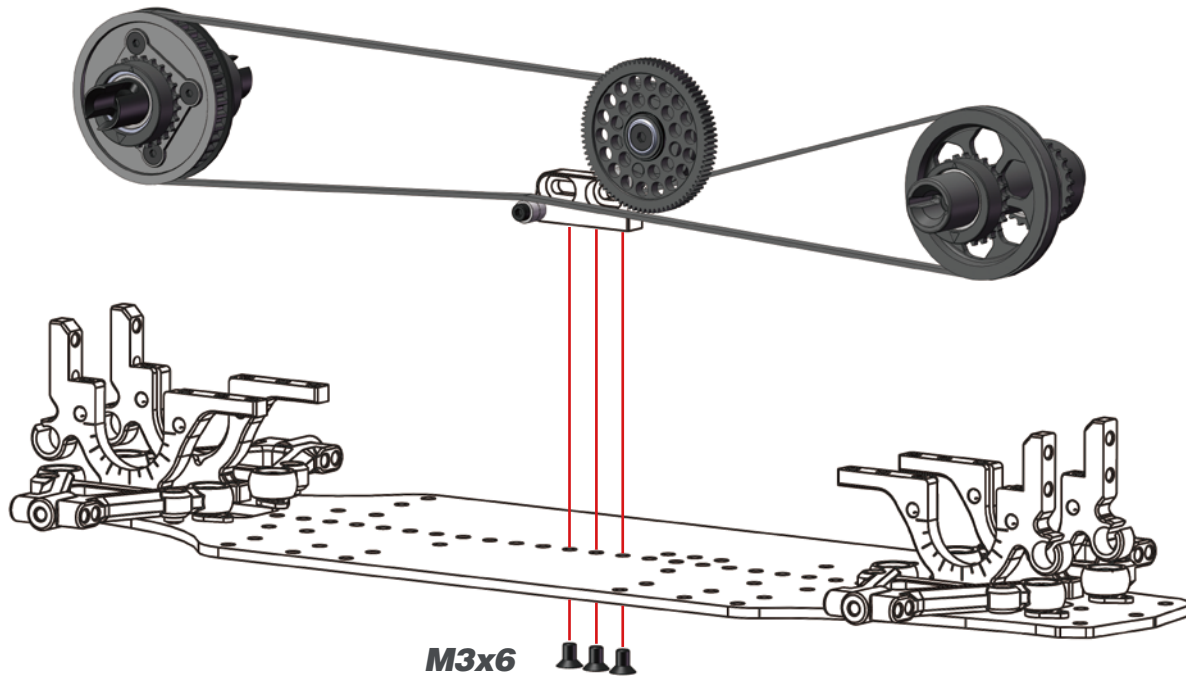
M3x10



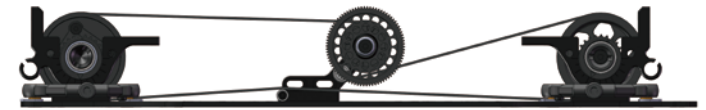
M3x6

STEP 6

6.7 4WD



4WD 5:5



4WD 6:4

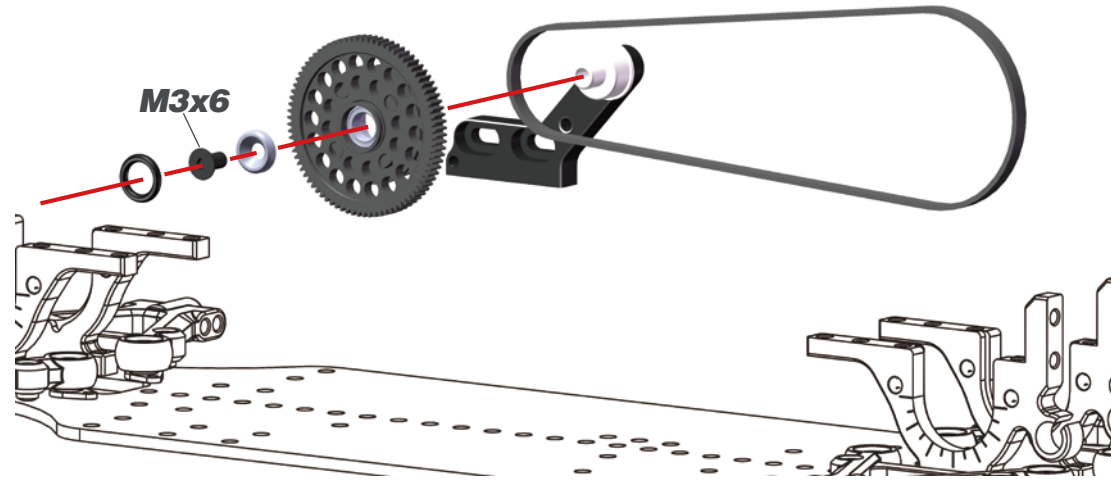


4WD 7:3

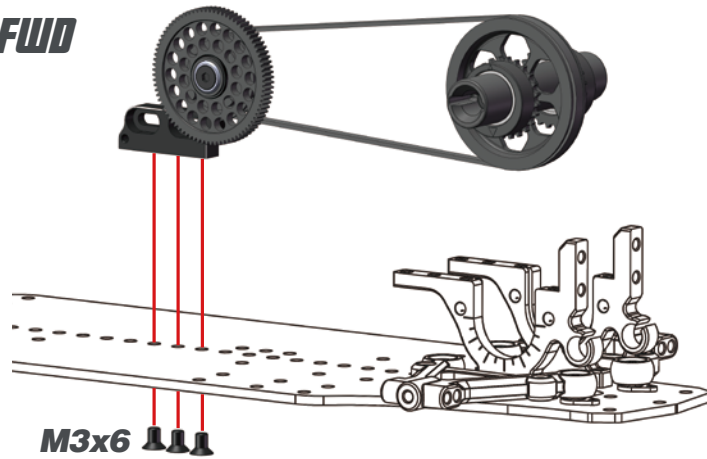


STEP 6

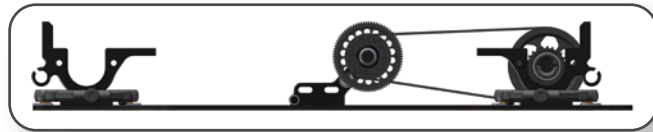
6.6 FWD & RR



6.7 FWD

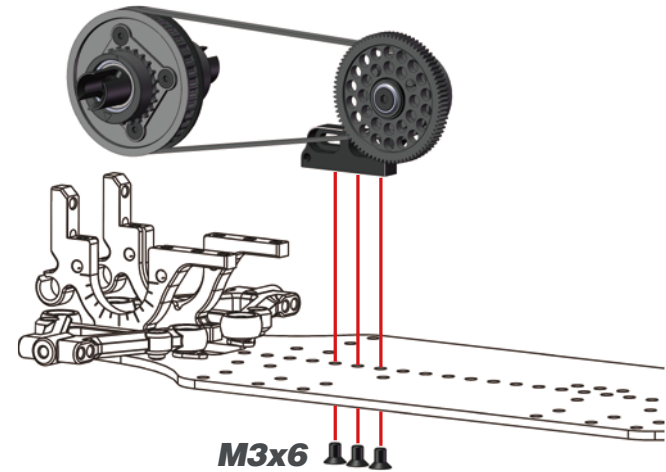


M3x6

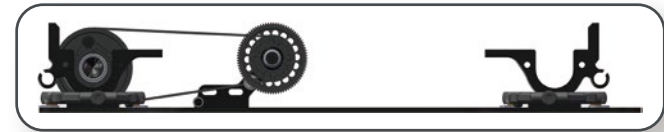


M3x6

6.7 RR



M3x6

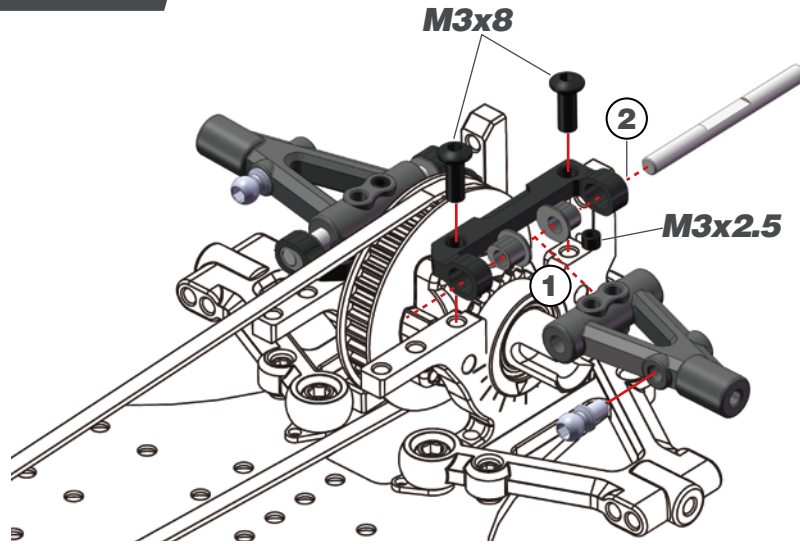


M3x6

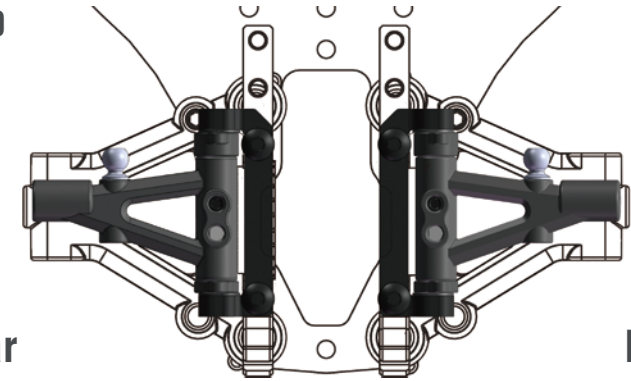
STEP 7

BAG 3

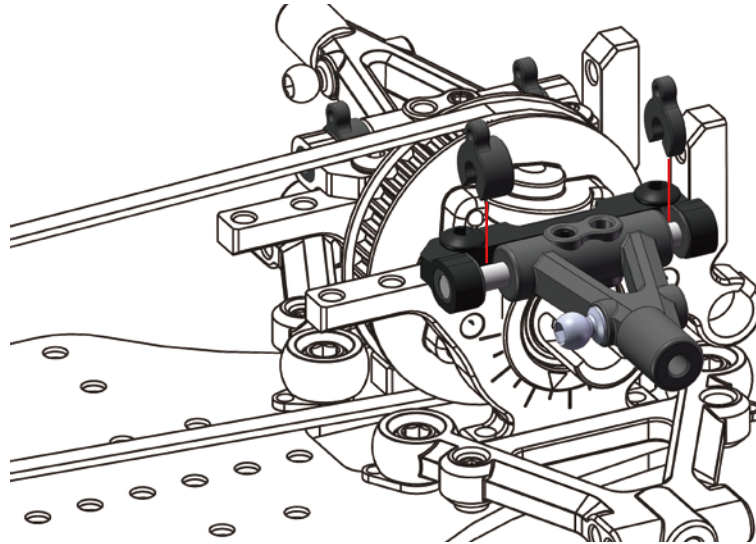
7.1 REAR



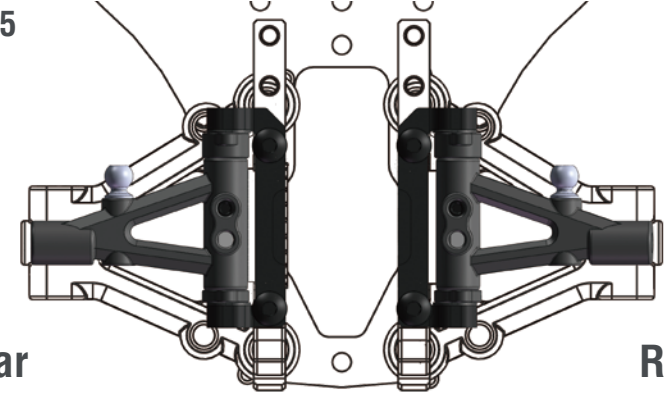
WB210



7.2

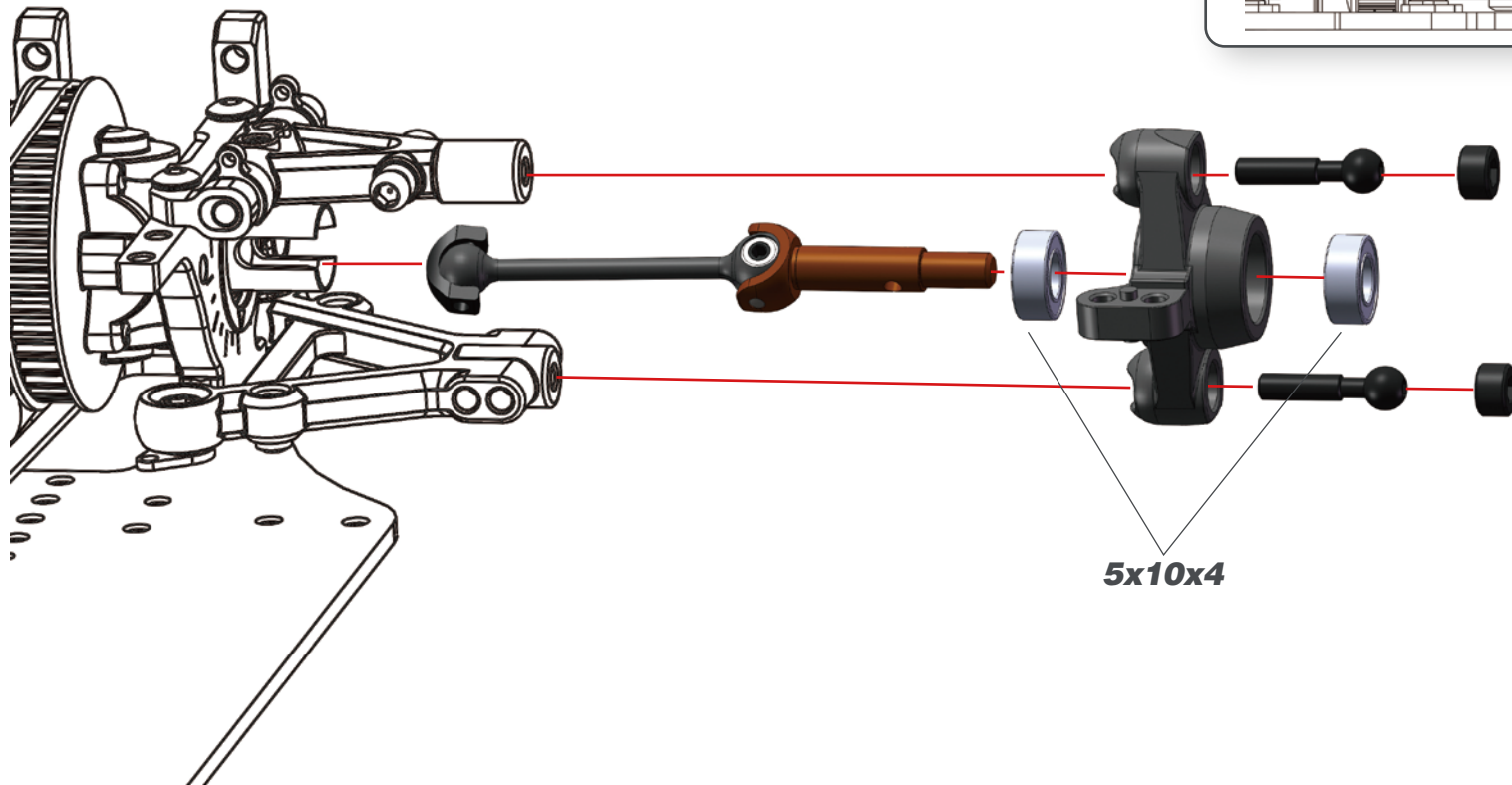
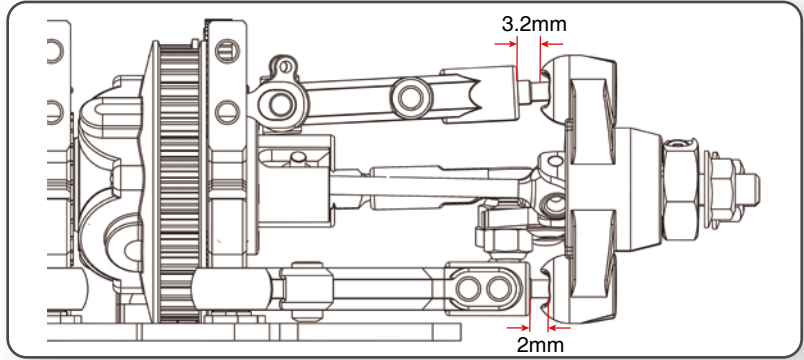


WB225



STEP 7

7.3 REAR



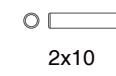
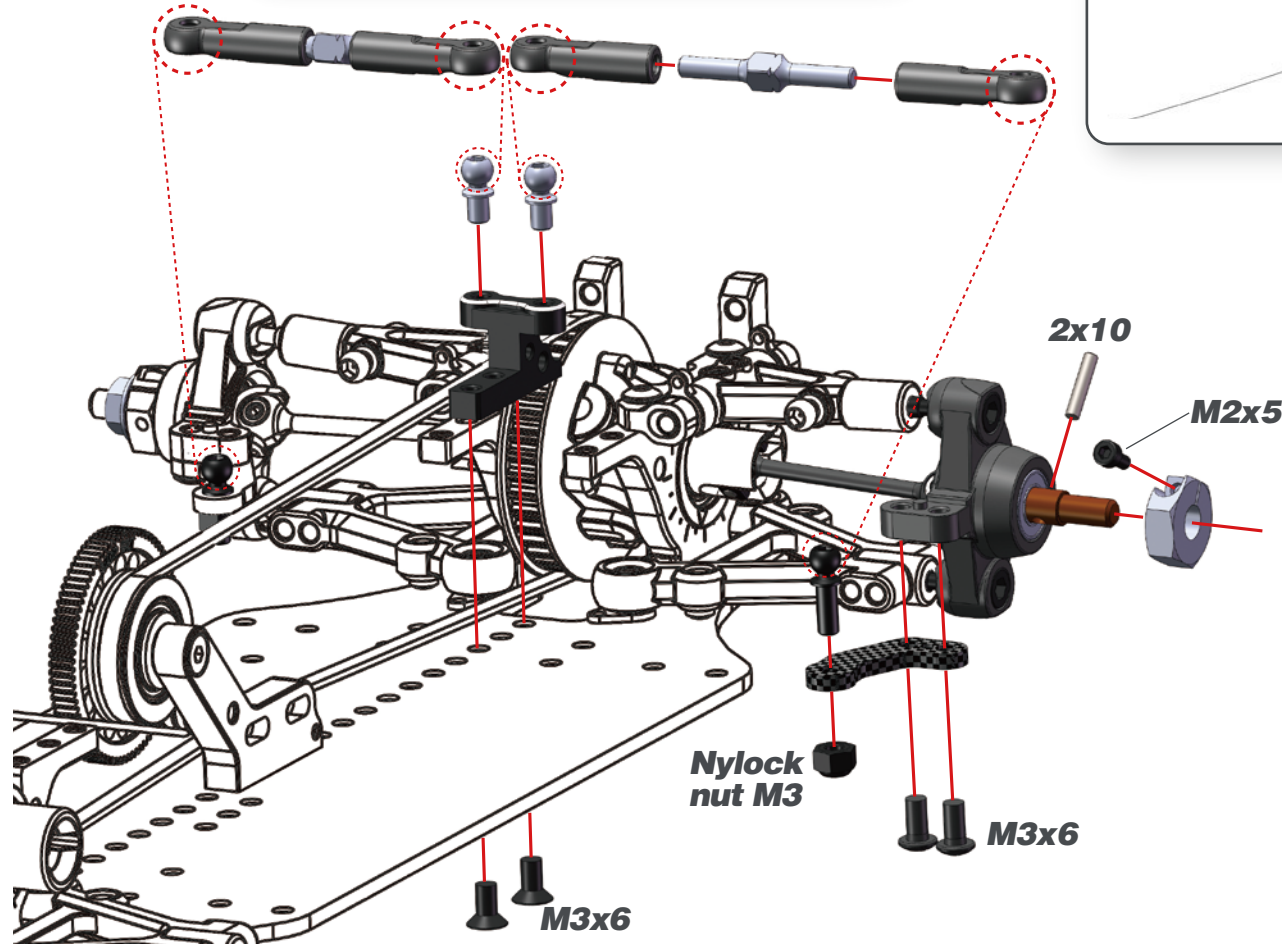
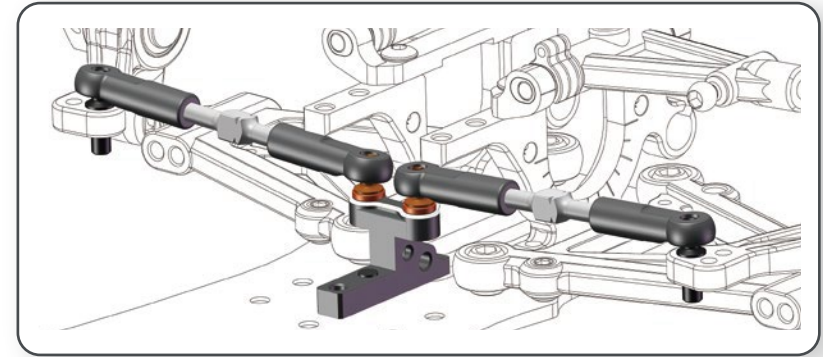
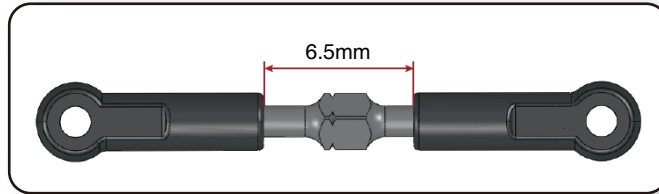
5x10x4



5x10x4

STEP 7

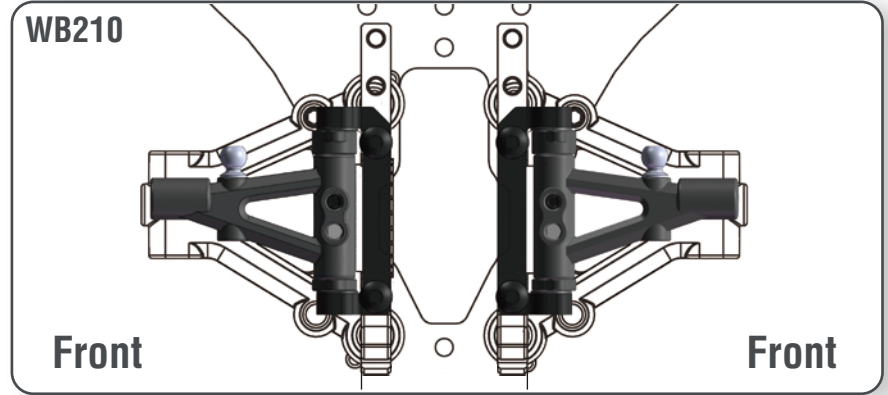
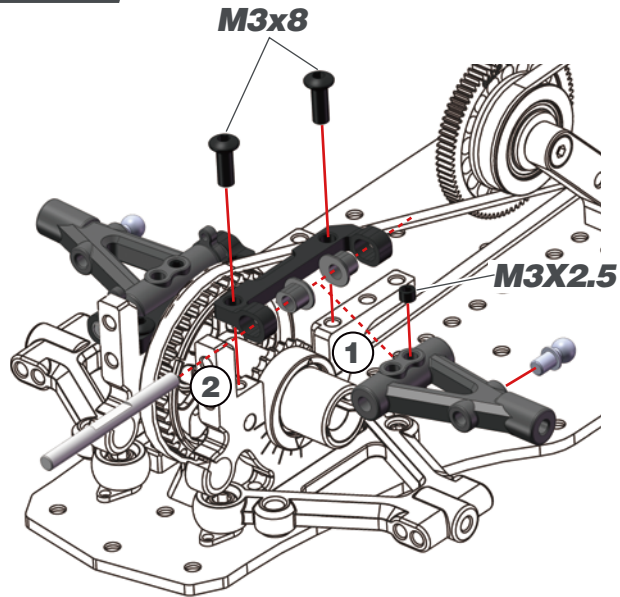
7.4 REAR



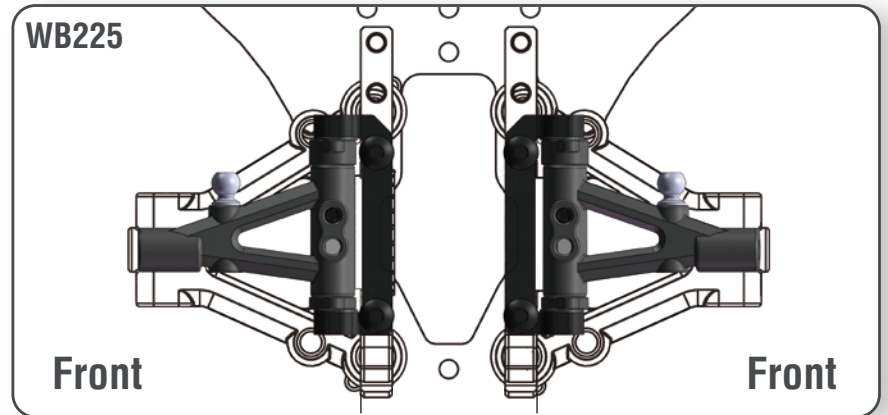
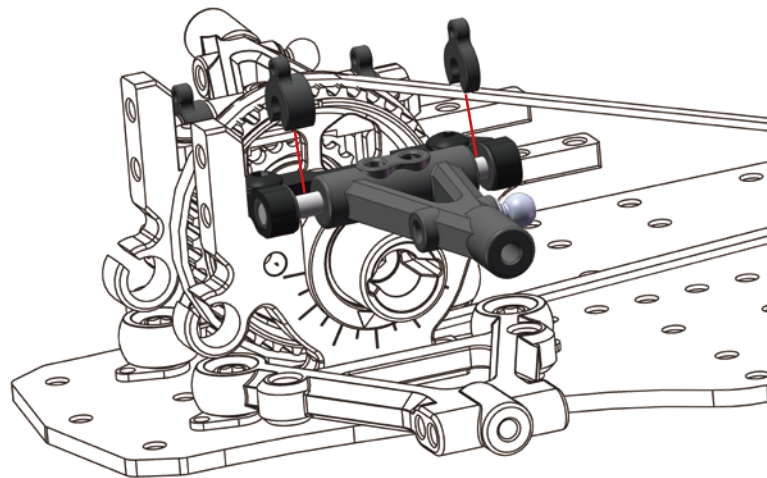
STEP 8

BAG 4

8.1 FRONT

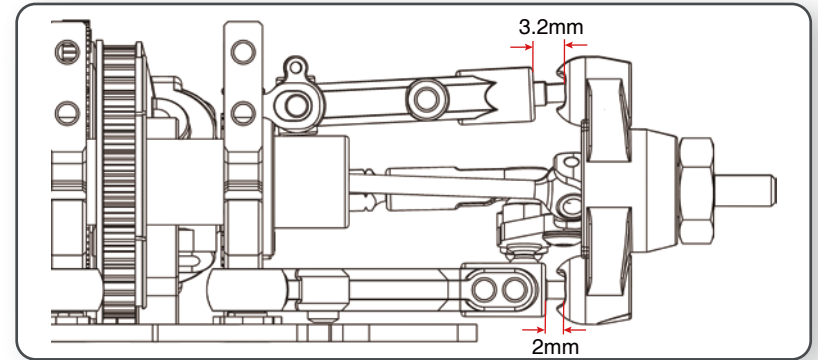
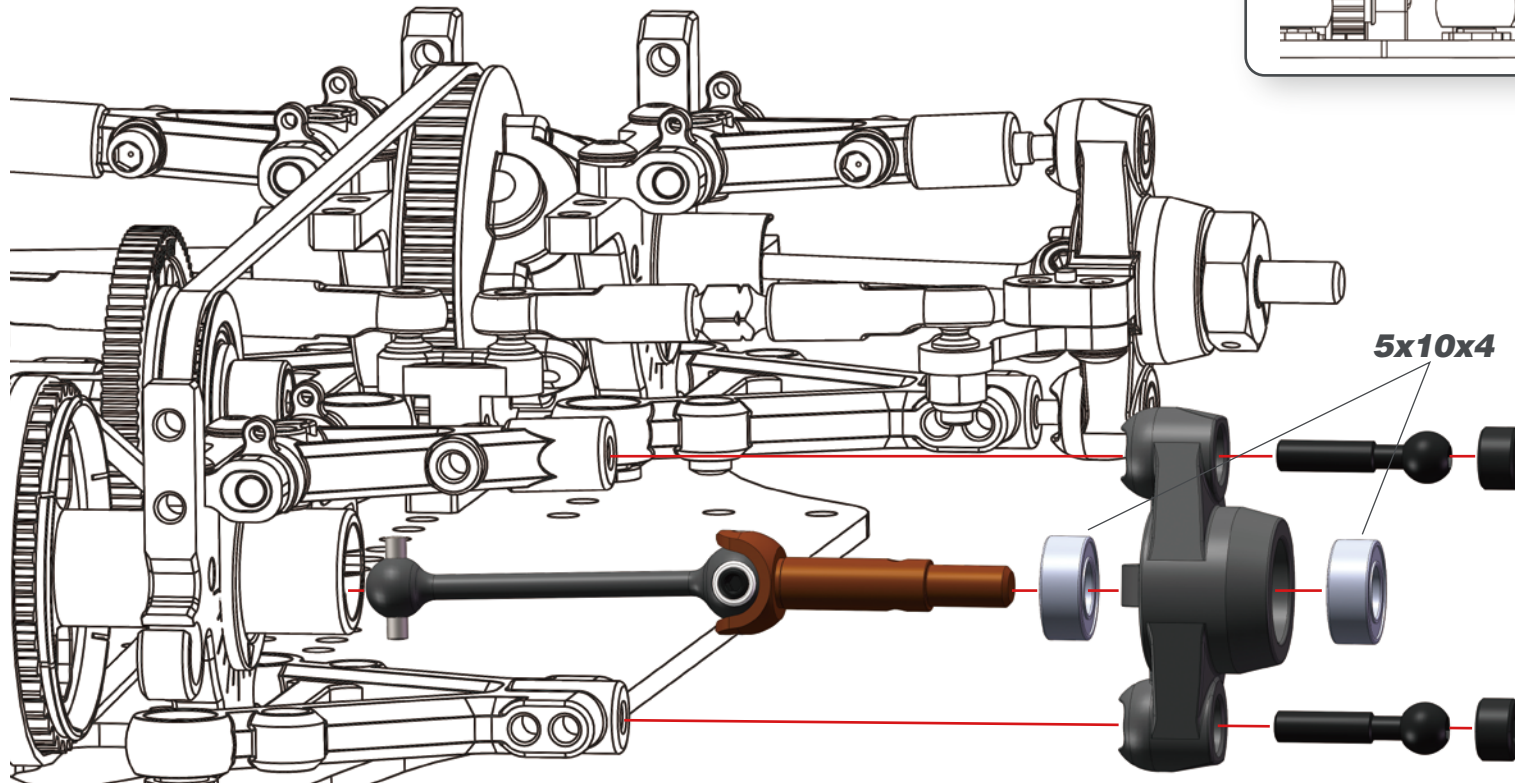


8.2



STEP 8

8.3 FRONT



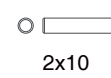
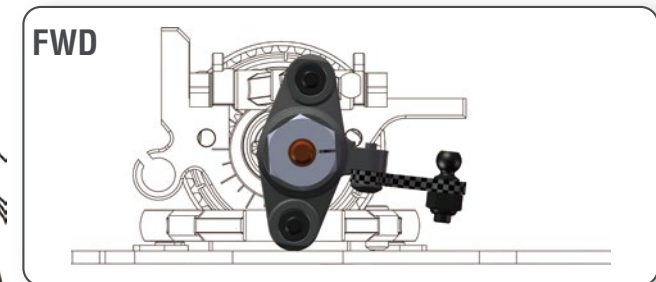
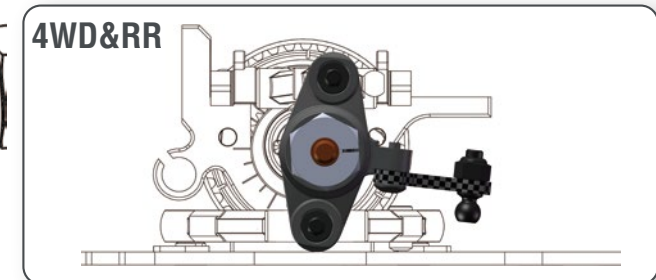
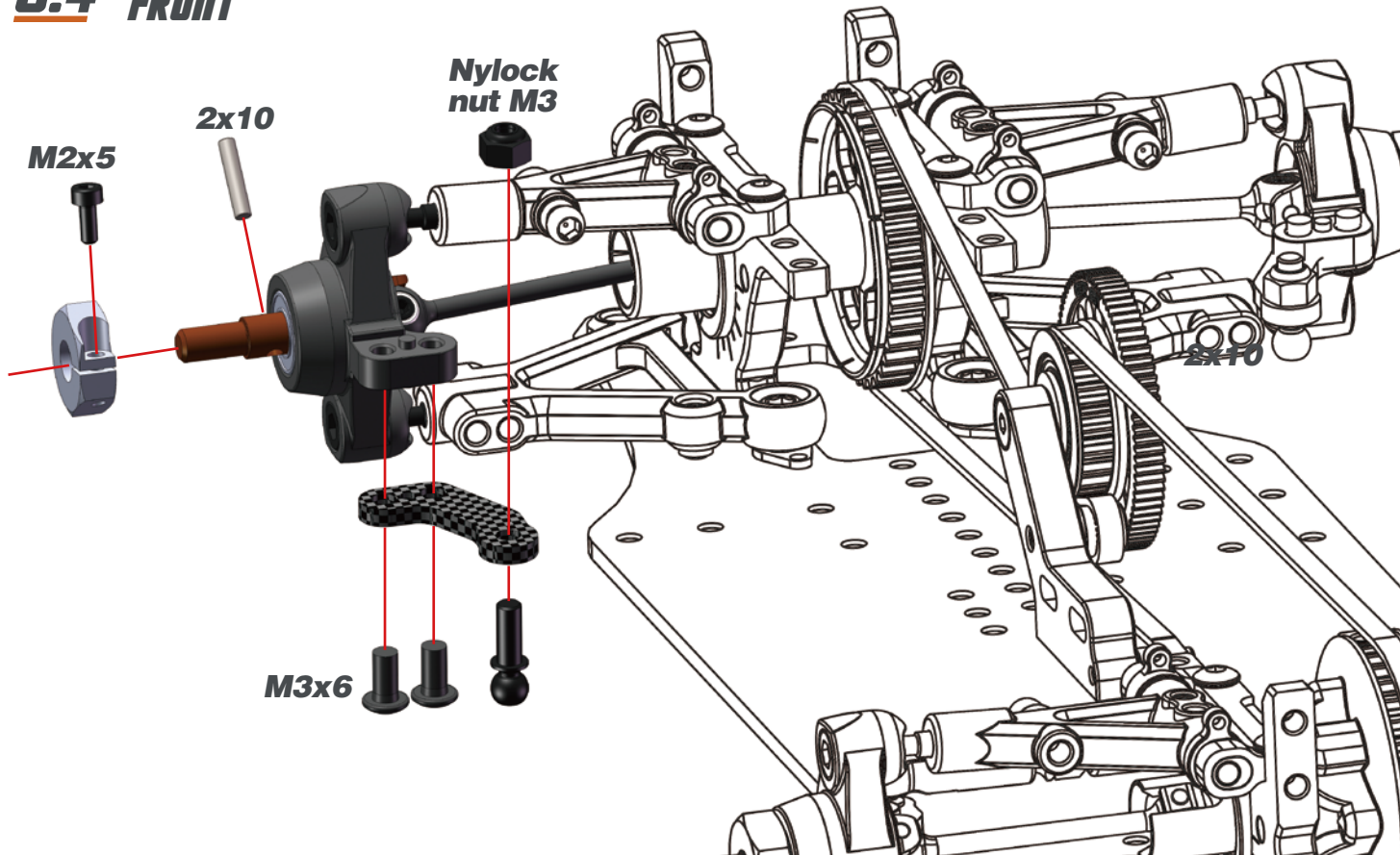
5x10x4



5x10x4

STEP 8

8.4 FRONT



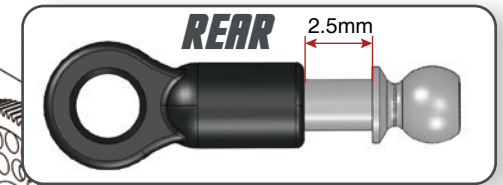
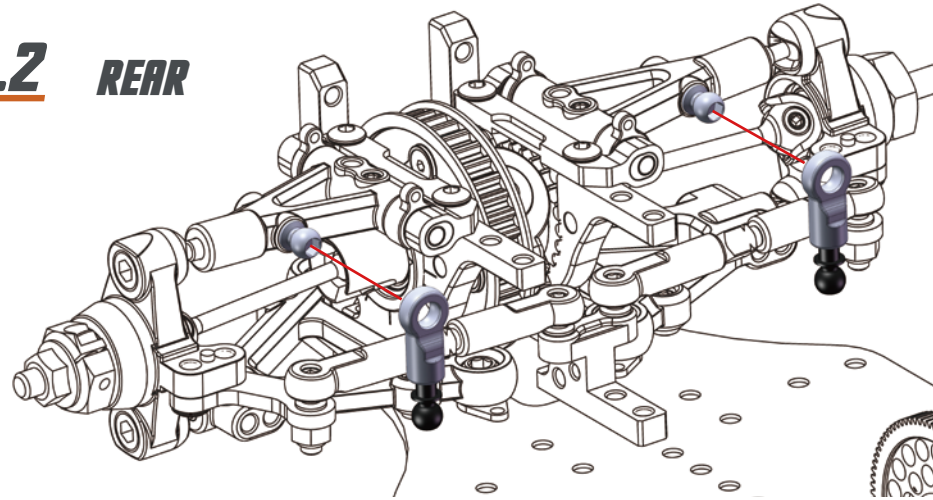
STEP 9

BAG 5

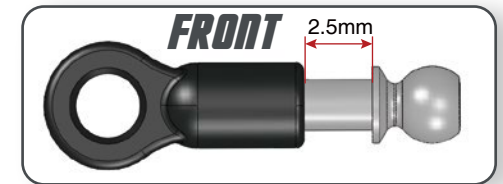
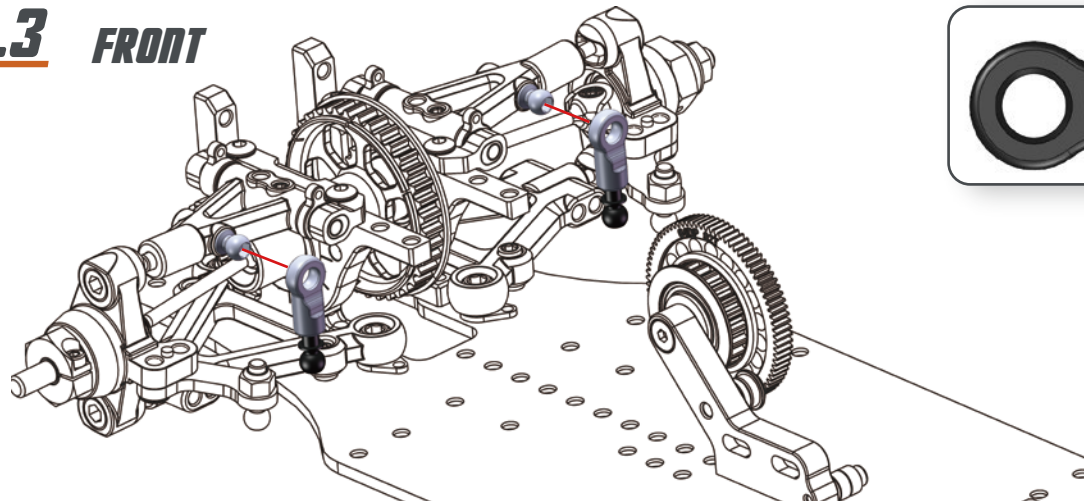
9.1 FRONT & REAR



9.2 REAR



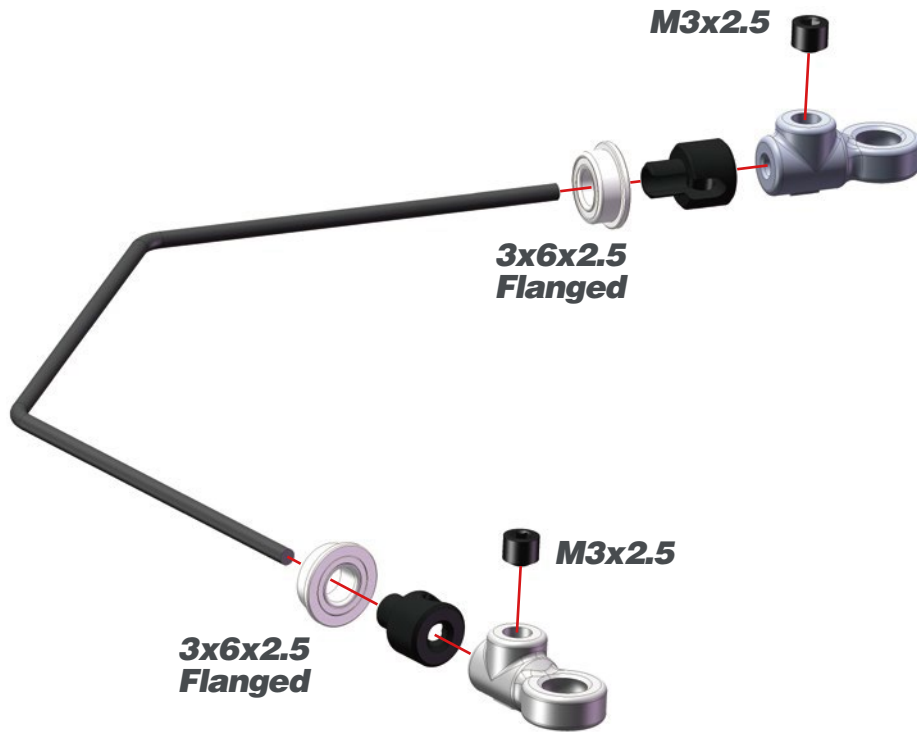
9.3 FRONT



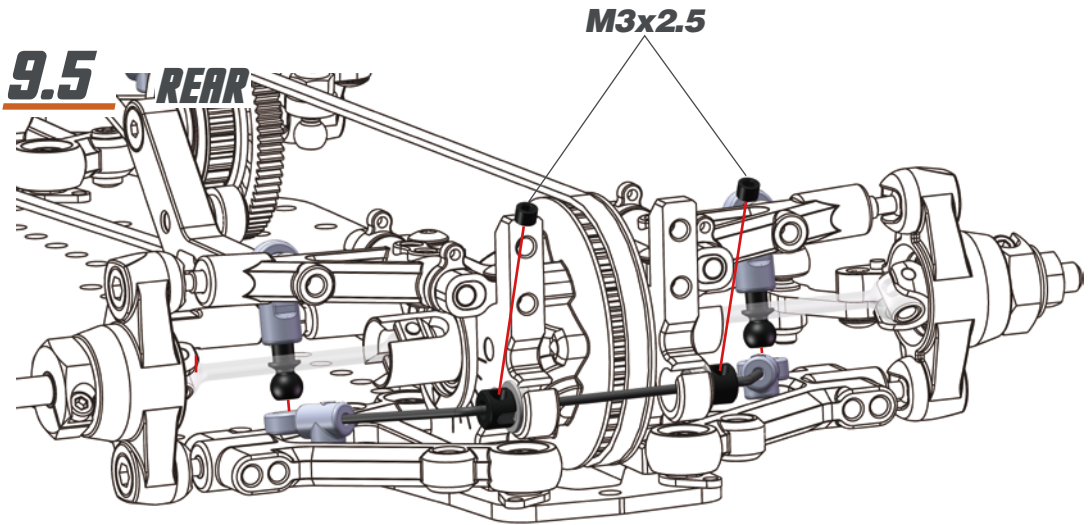
PIVOTBALL M3x7

STEP 9

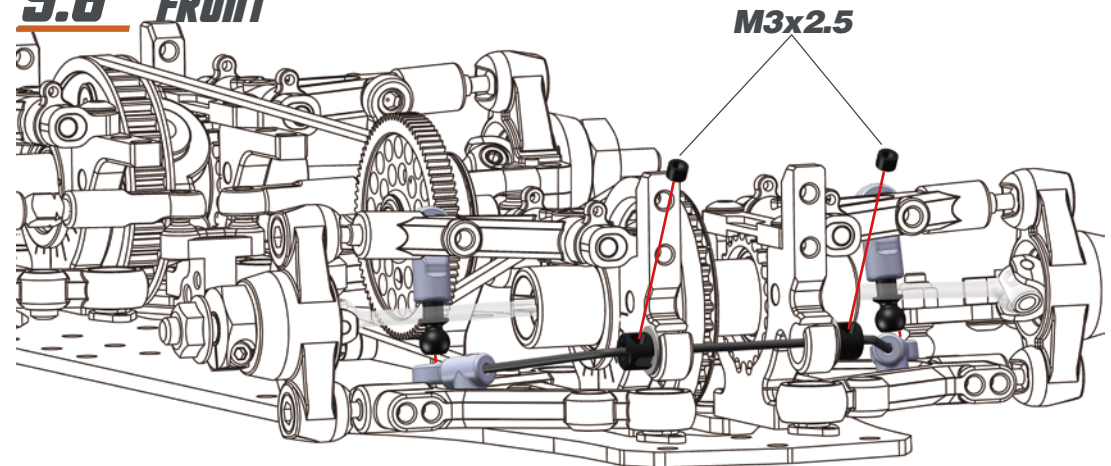
9.4 FRONT & REAR



9.5 REAR

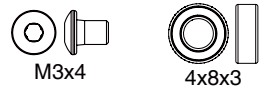
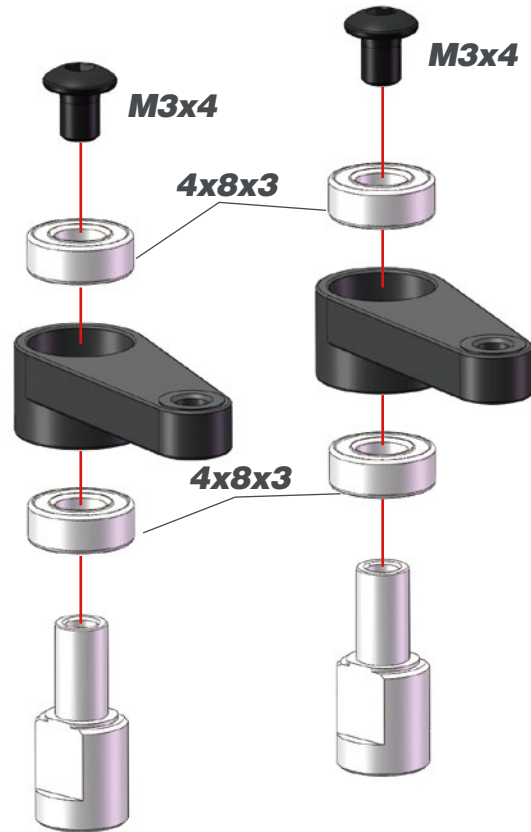


9.6 FRONT

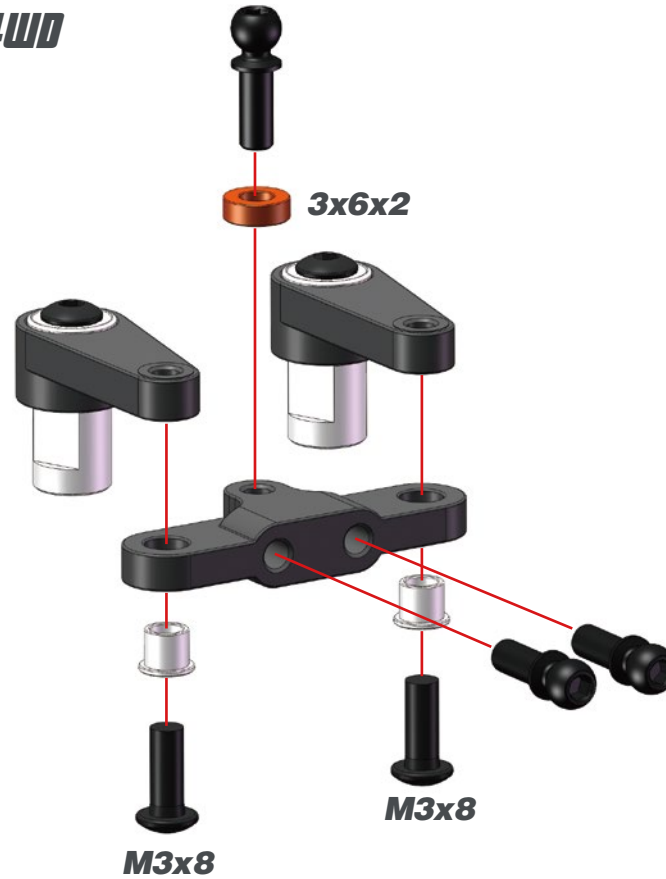


STEP 10

10.1



10.2 4WD

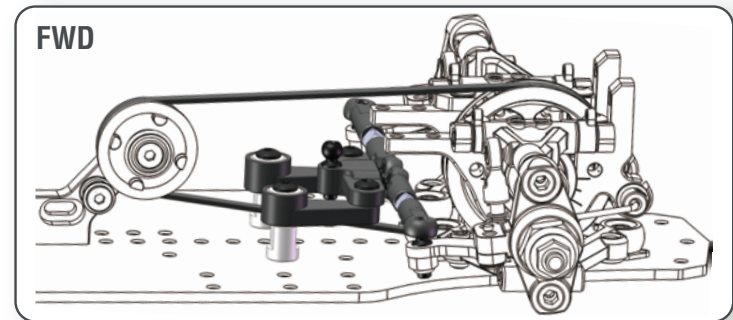
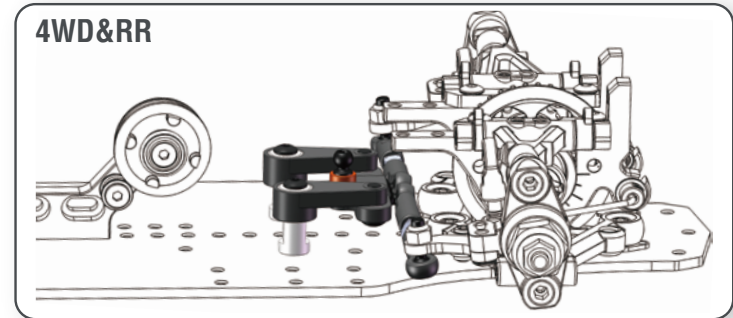
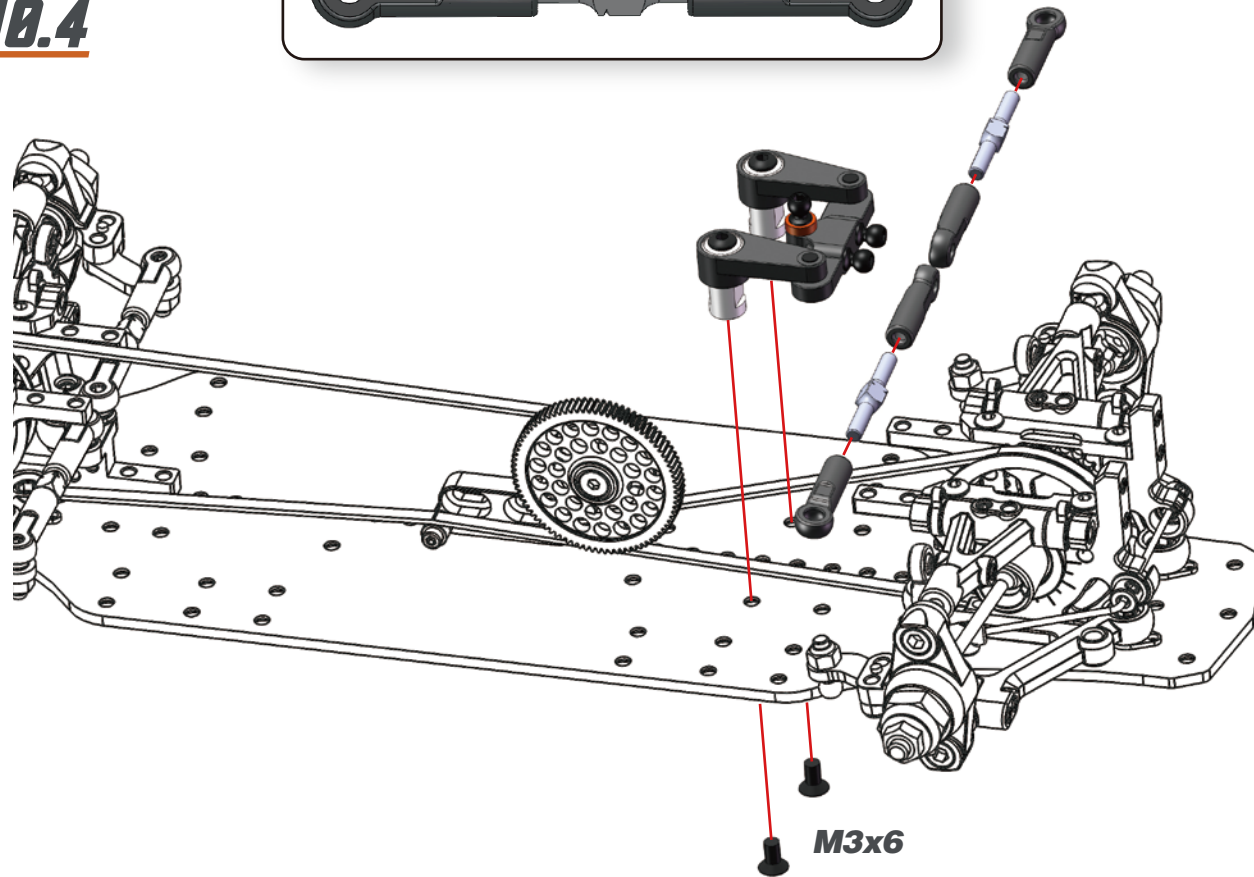
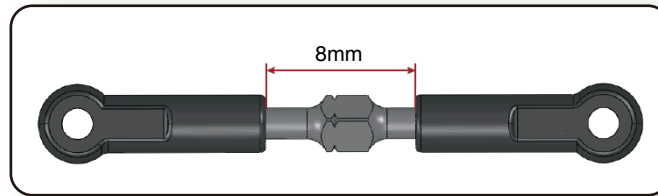


10.2 FWD



STEP 10

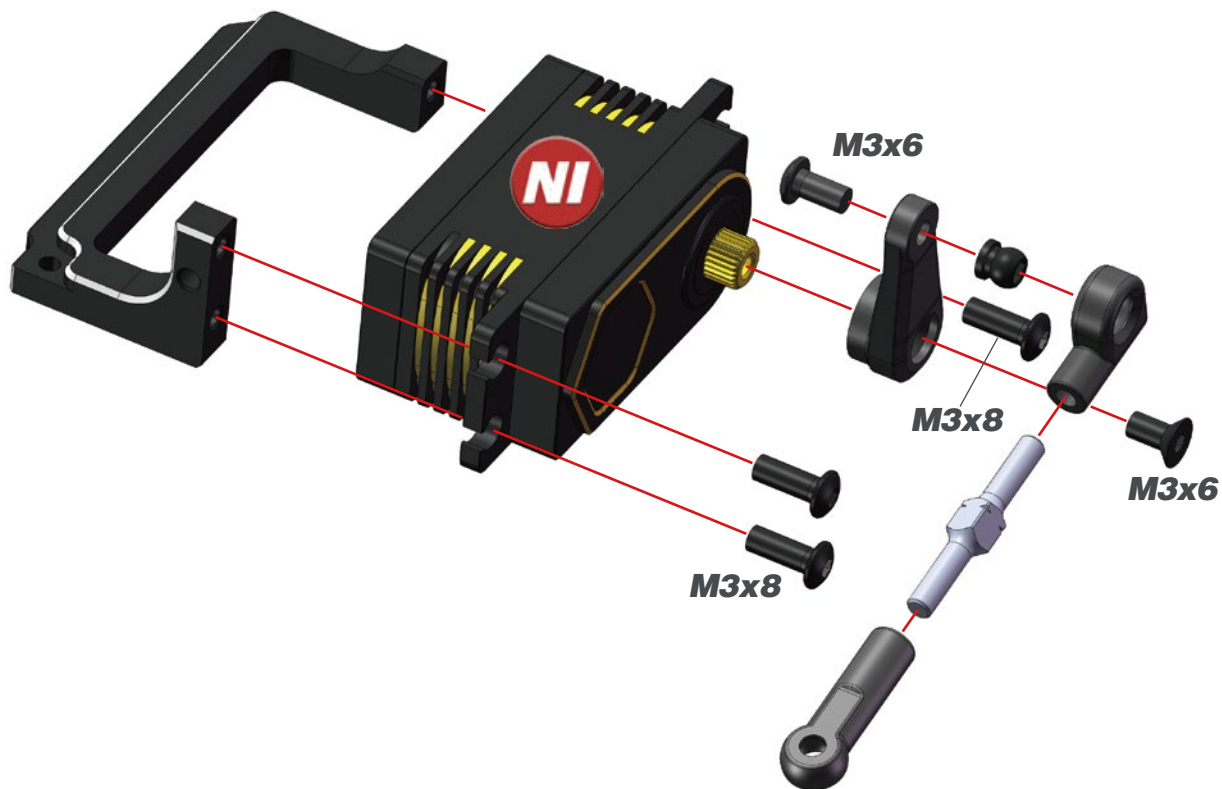
10.4



STEP 11

BAG 6

11.1

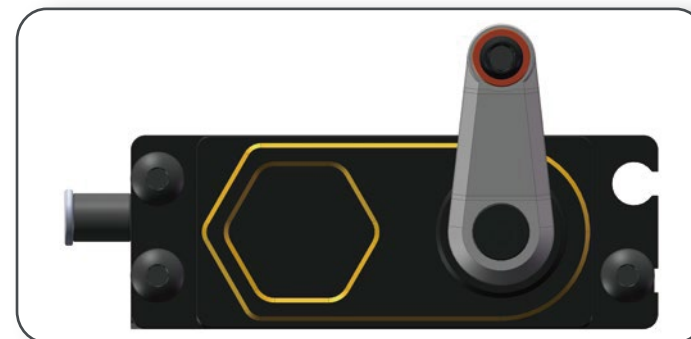


OPT



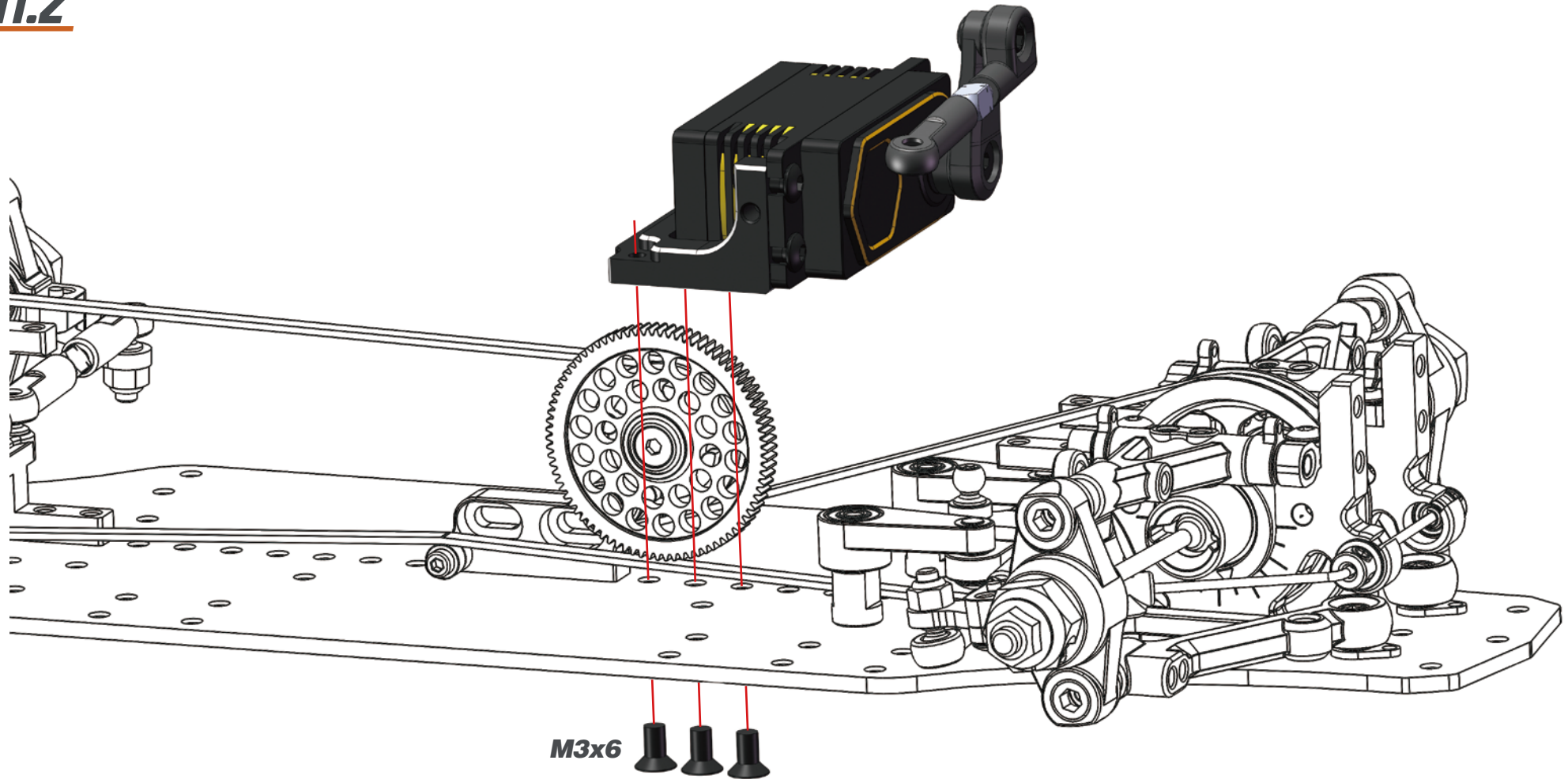
600290 Servo lever steering 23T alu

600291 Servo lever steering 24T alu



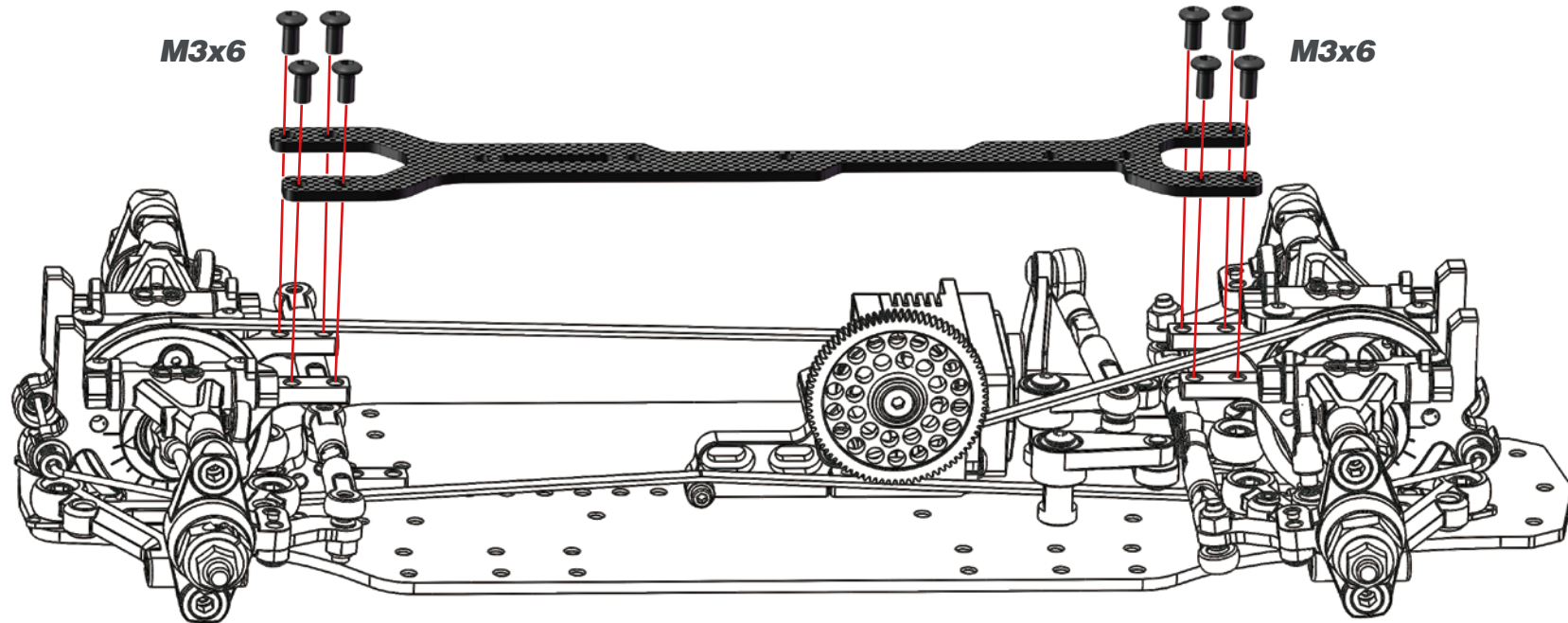
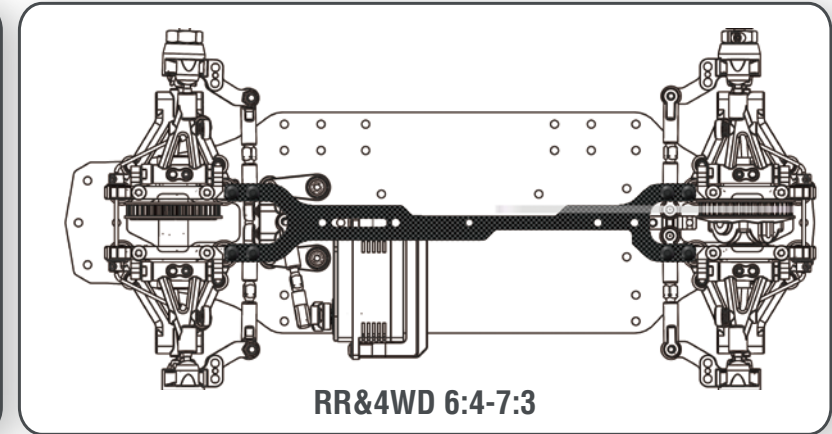
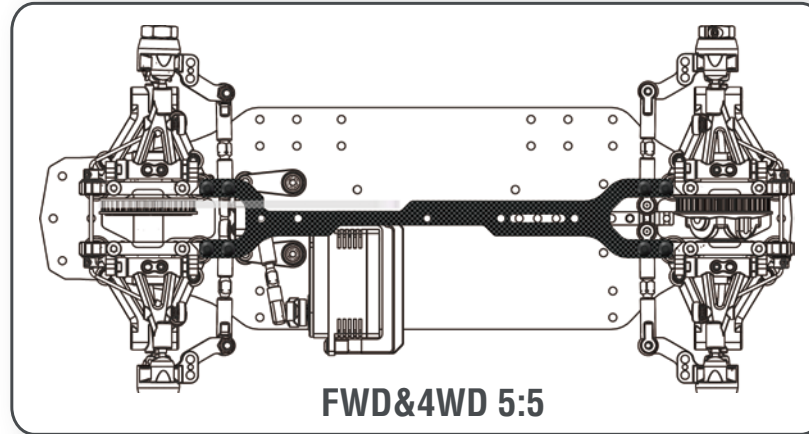
STEP 11

11.2



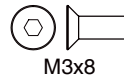
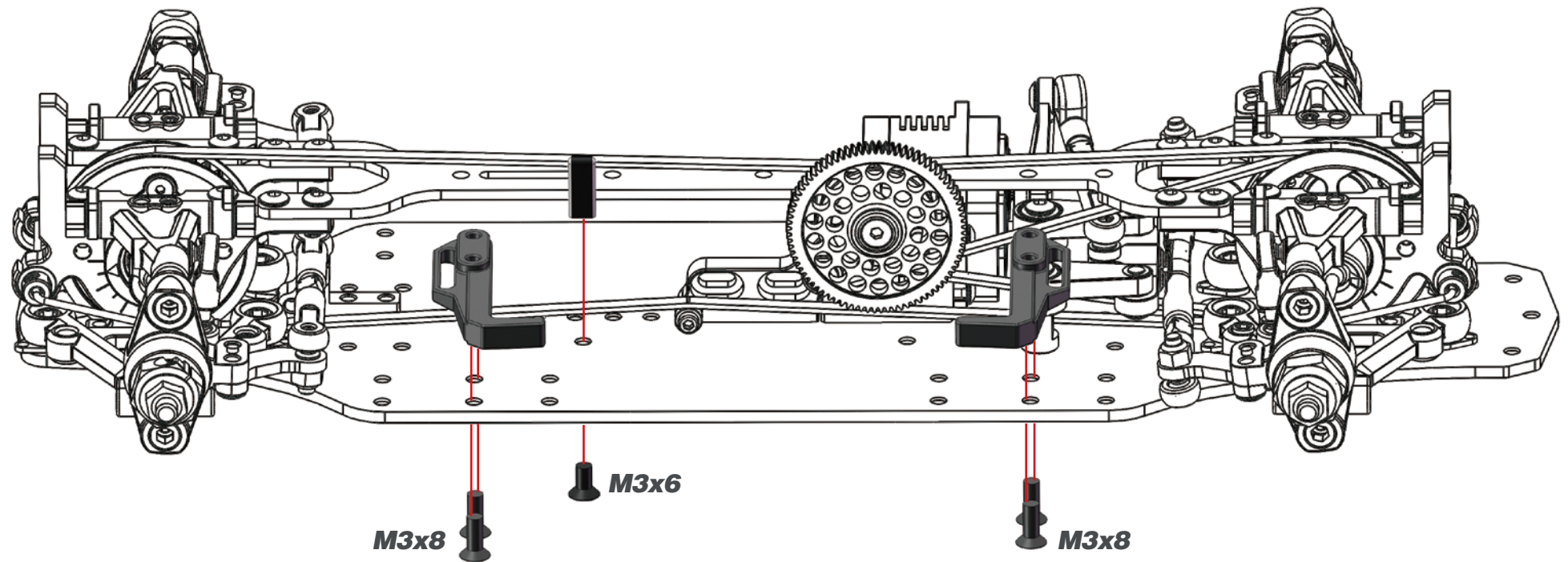
STEP 11

11.3



STEP 11

11.4



STEP 12

SHOCK BAG

12.1



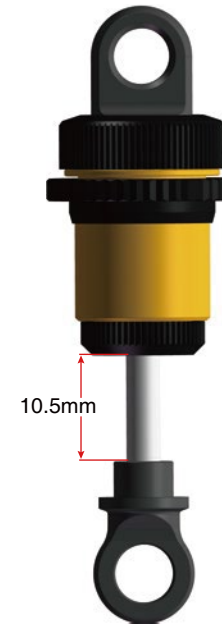
12.2



12.3



12.4



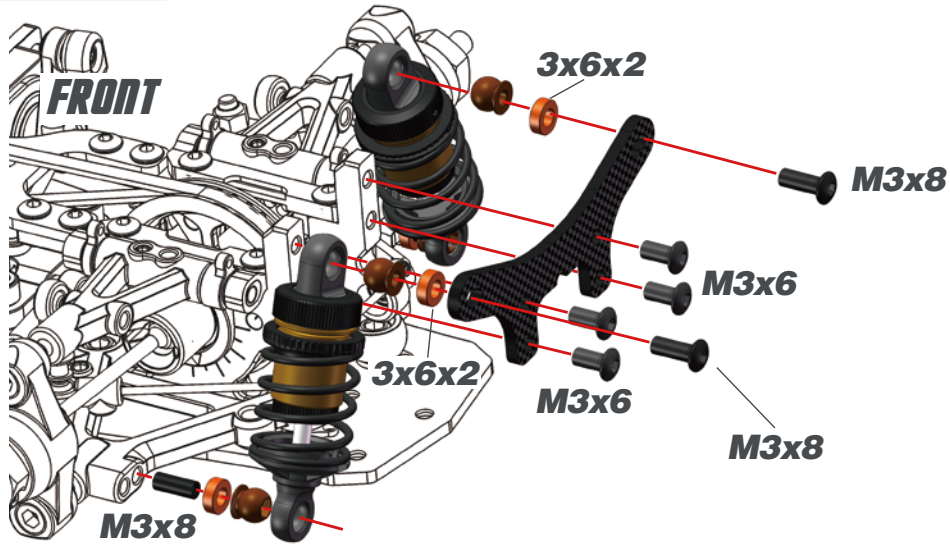
12.5



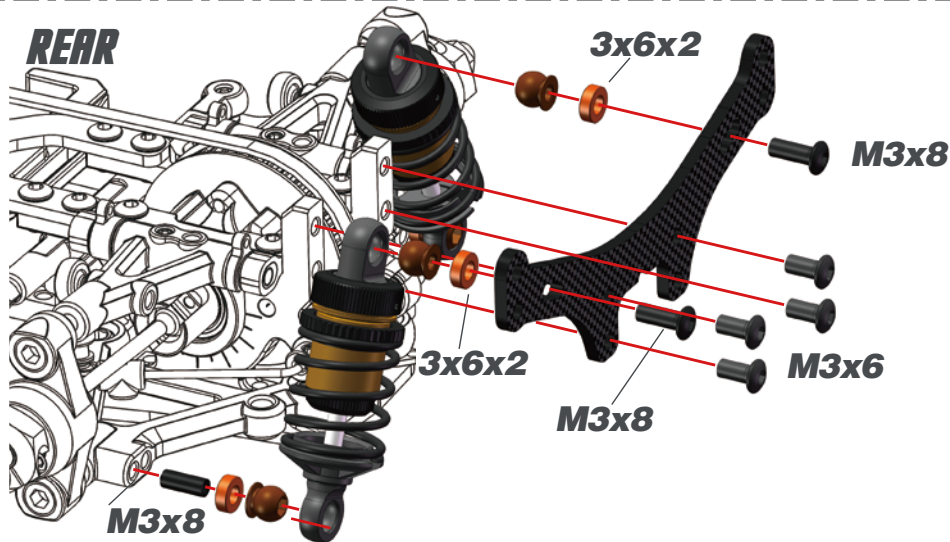
E-CLIP 2.3

STEP 13 BAG 7

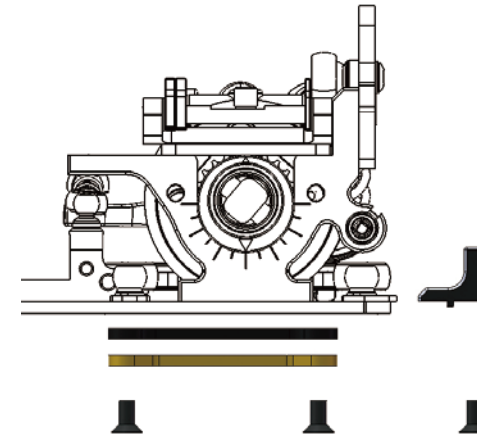
13.1 FRONT



13.2 REAR



OPT



401964 Chassis brace set fr X20 '21
401965 Chassis brace set rr X20 '21
401966 Front stiffner set X20 '21
401967 Rear stiffner set X20 '21



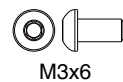
401960 Lower chassis weight 5gr (2) X20 '21



401963 Chassis brace fr/rr alu X20

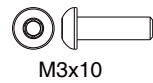
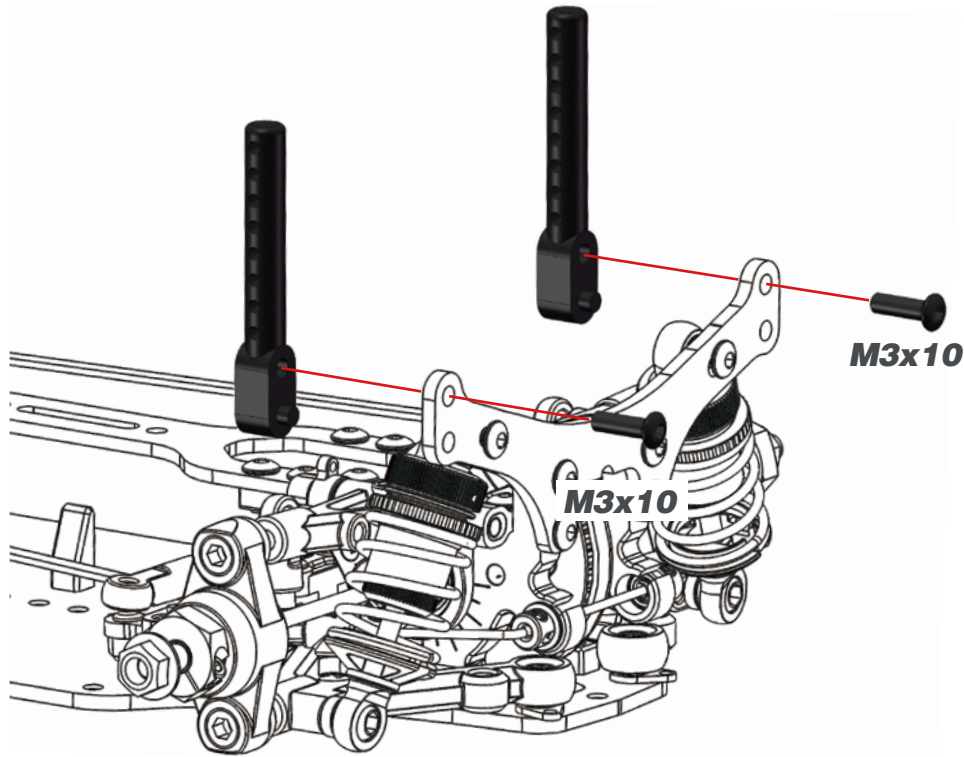


401866 Chassis stiffner center mount mid X20

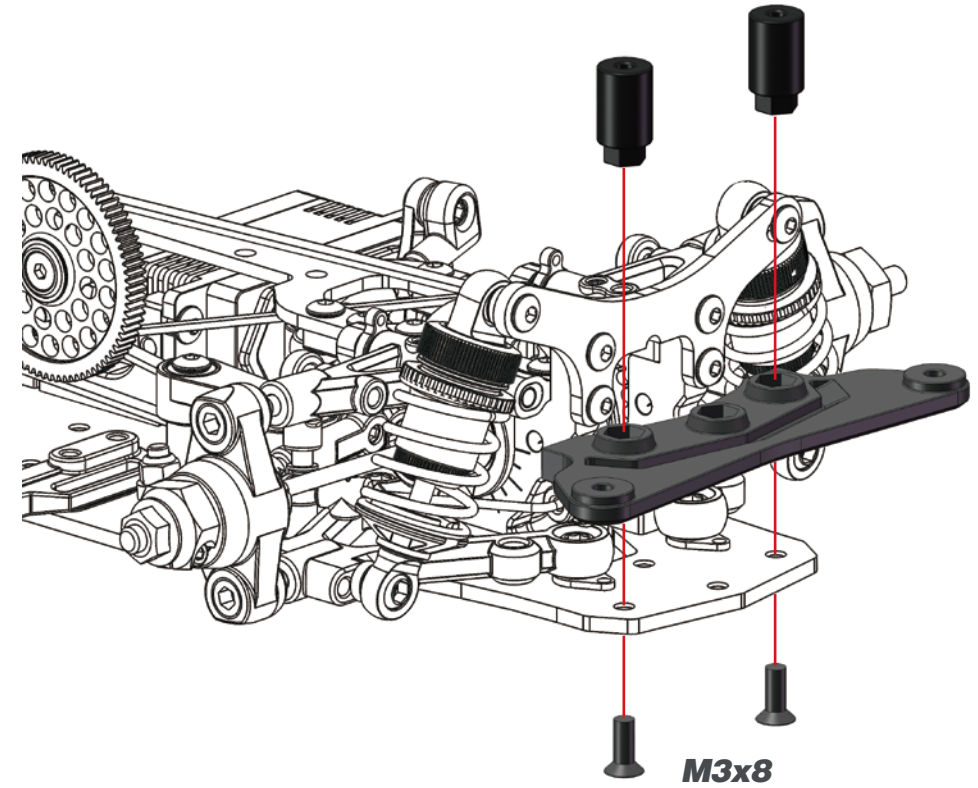


STEP 14

14.1

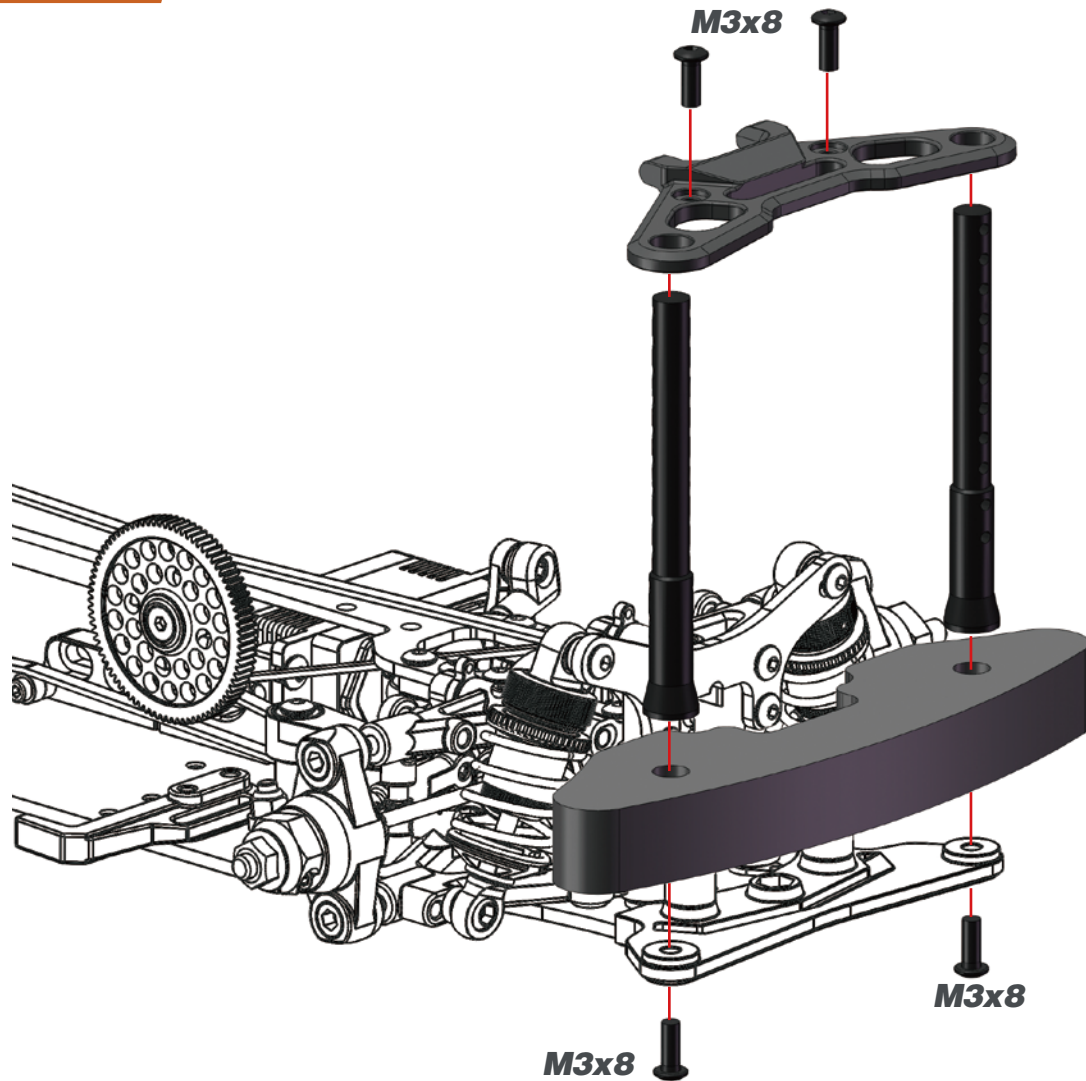


14.2



STEP 14

14.3



OPT

401602 Body-height fine-tuner alu (4)

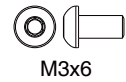
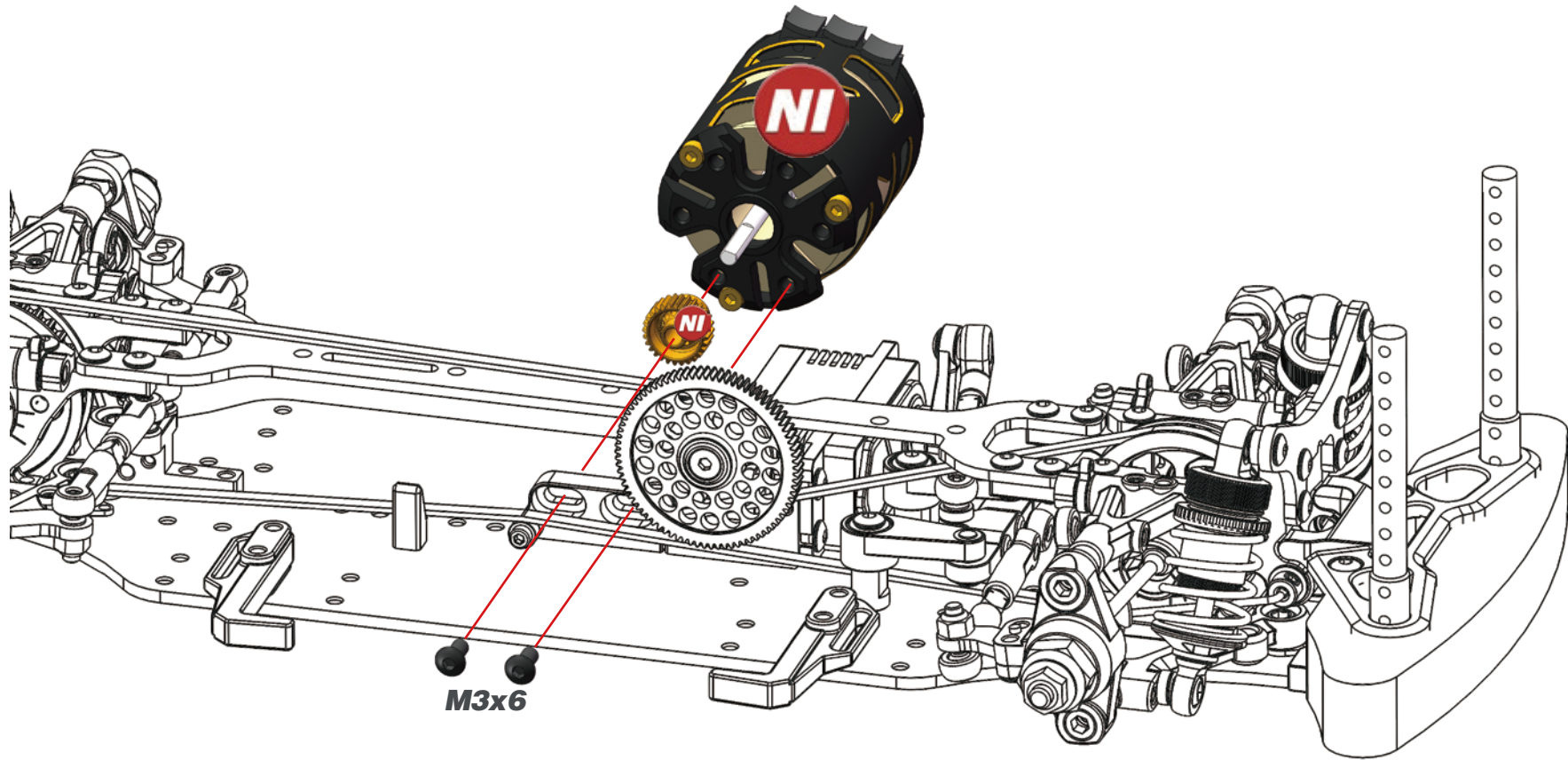
OPT

401954 Bumper top carbon X20 '21



STEP 15

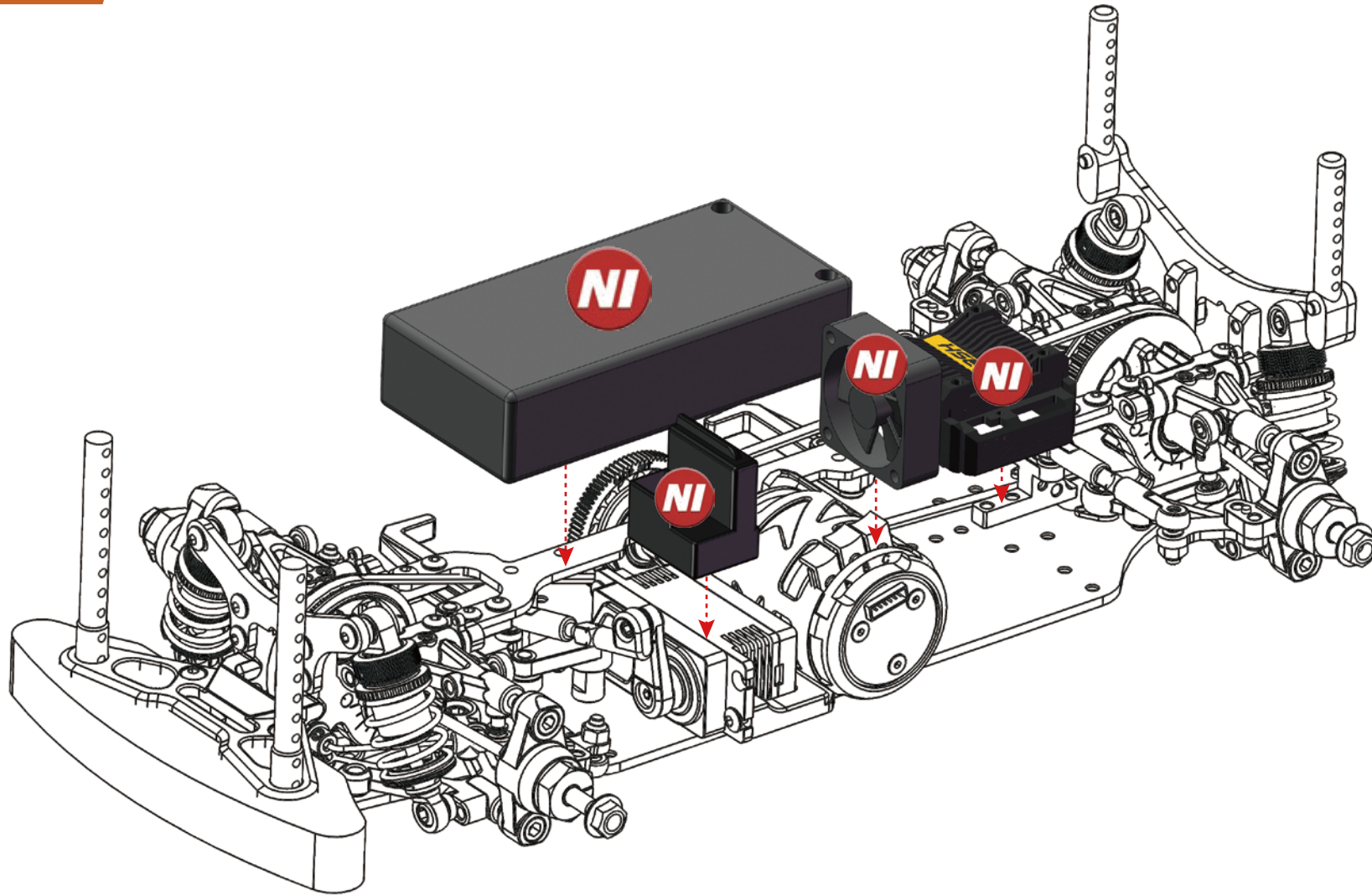
15.1



M3x6

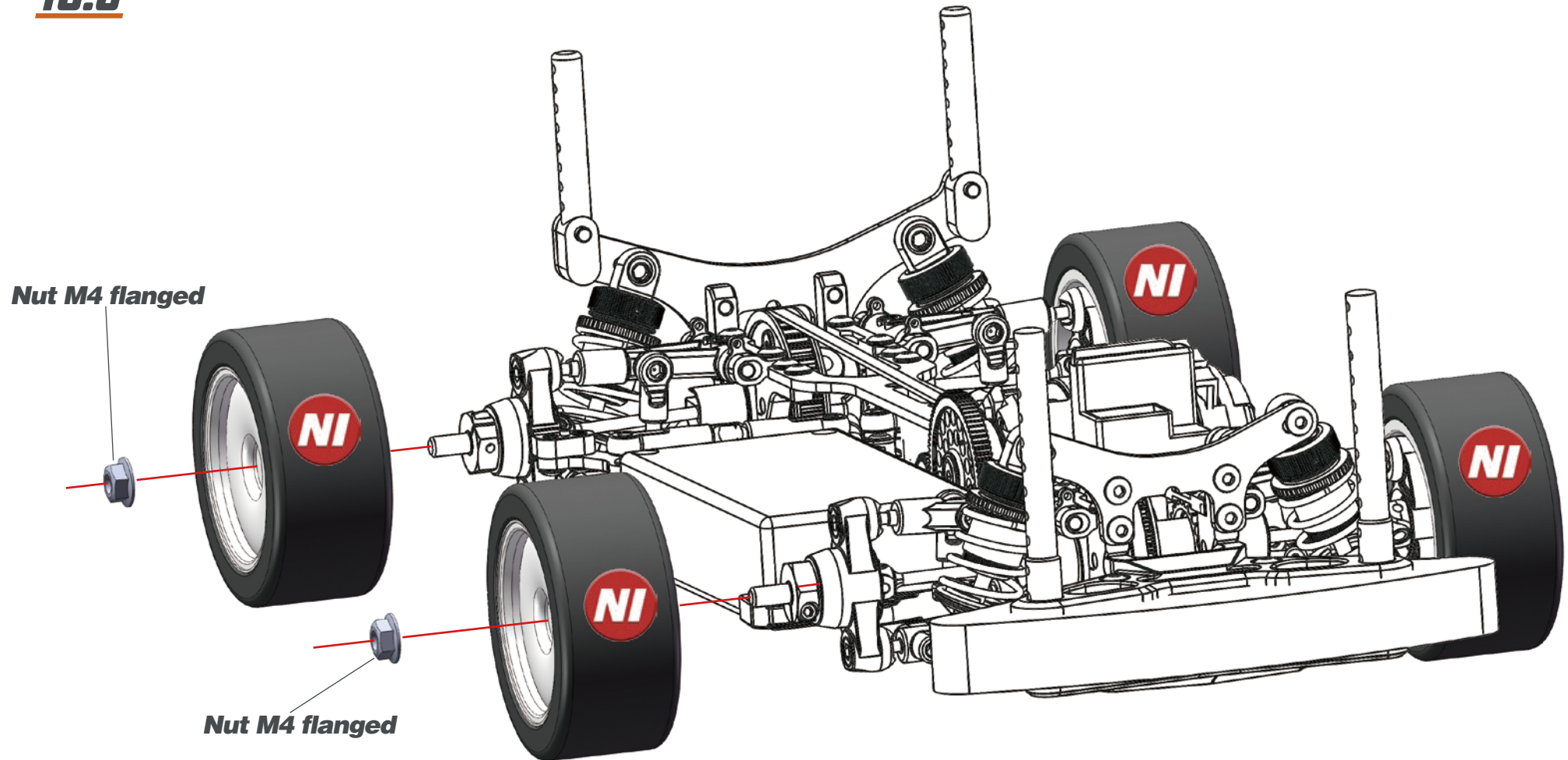
STEP 15

15.2

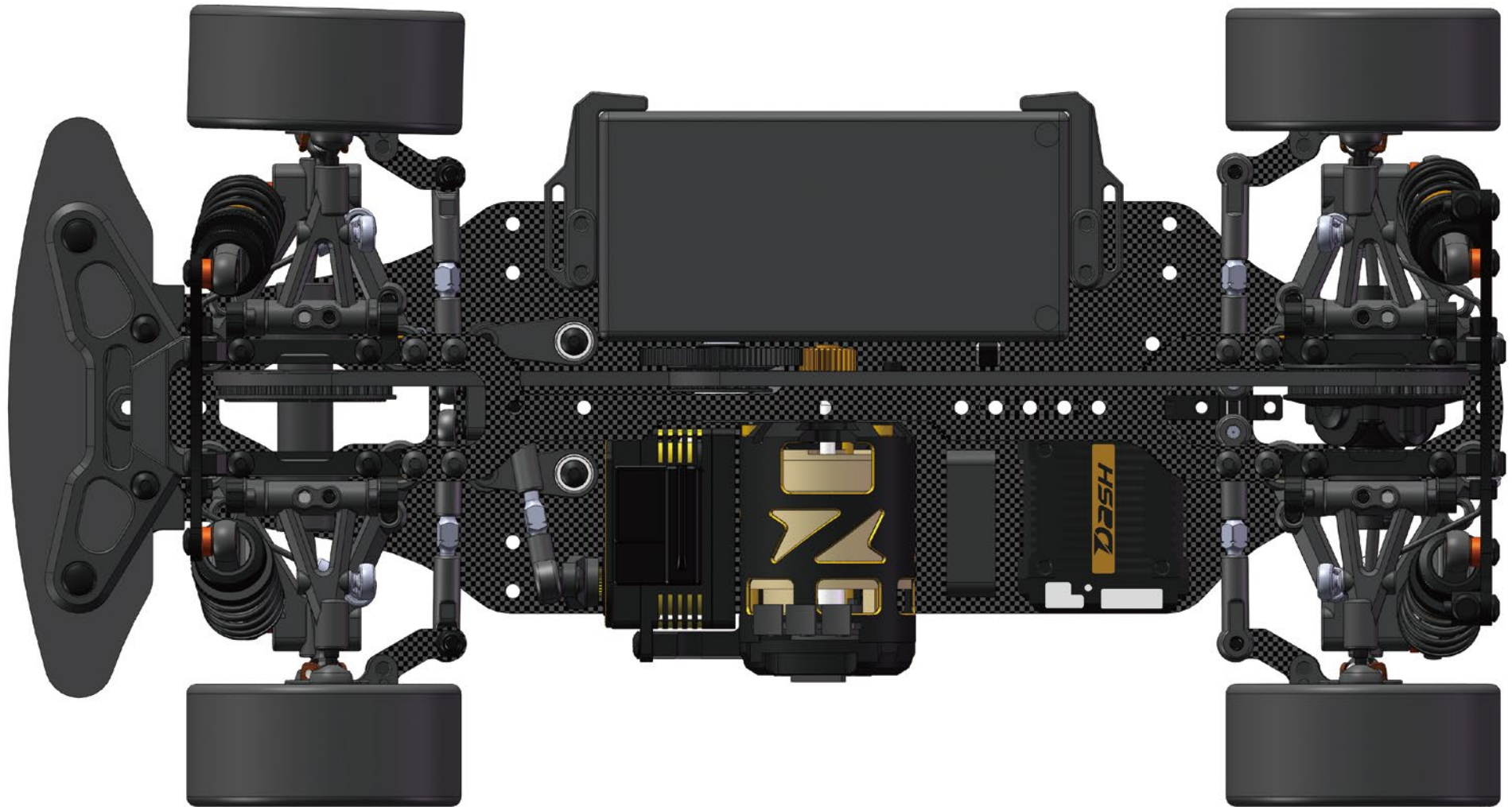


STEP 15

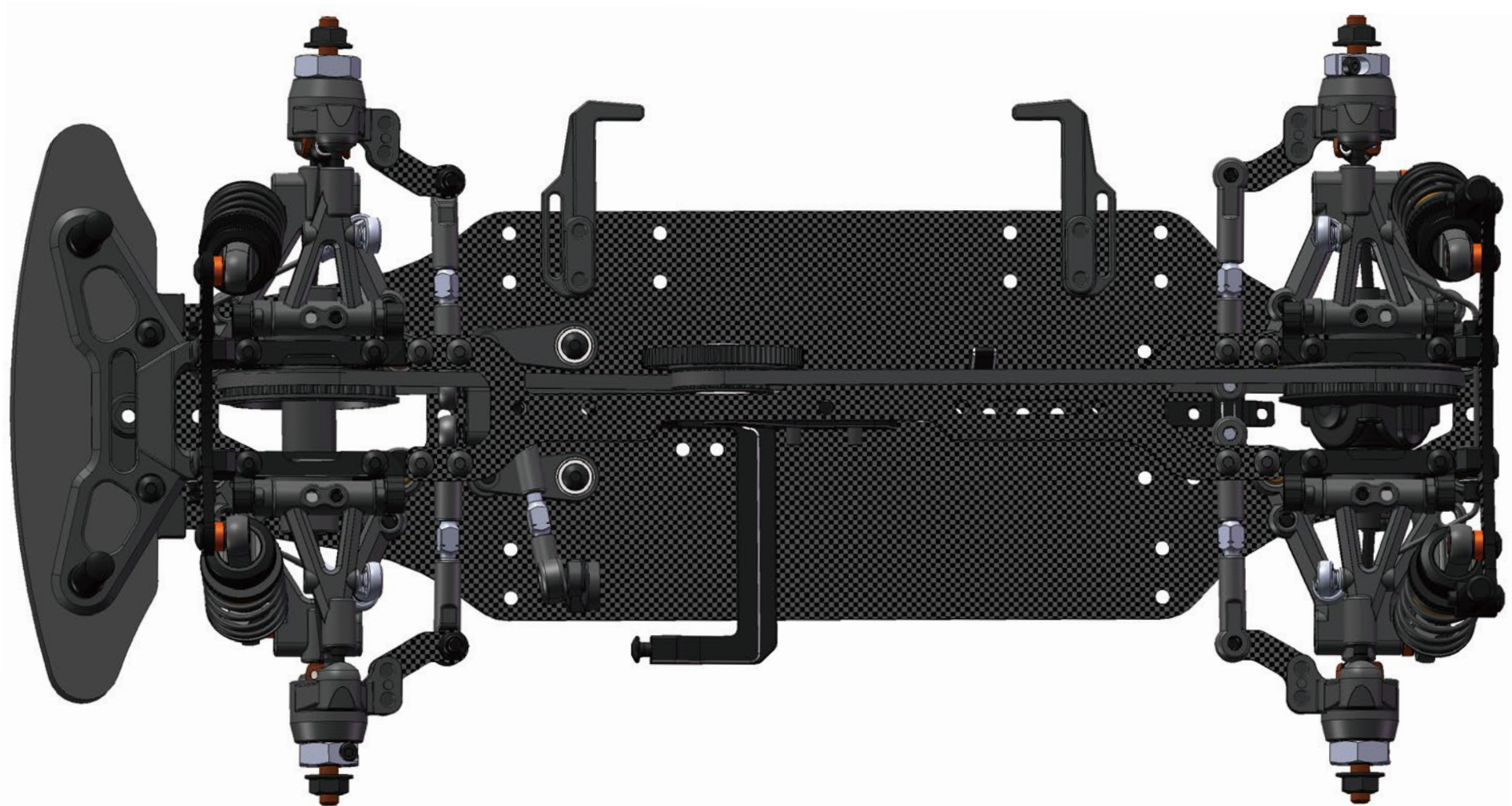
15.3



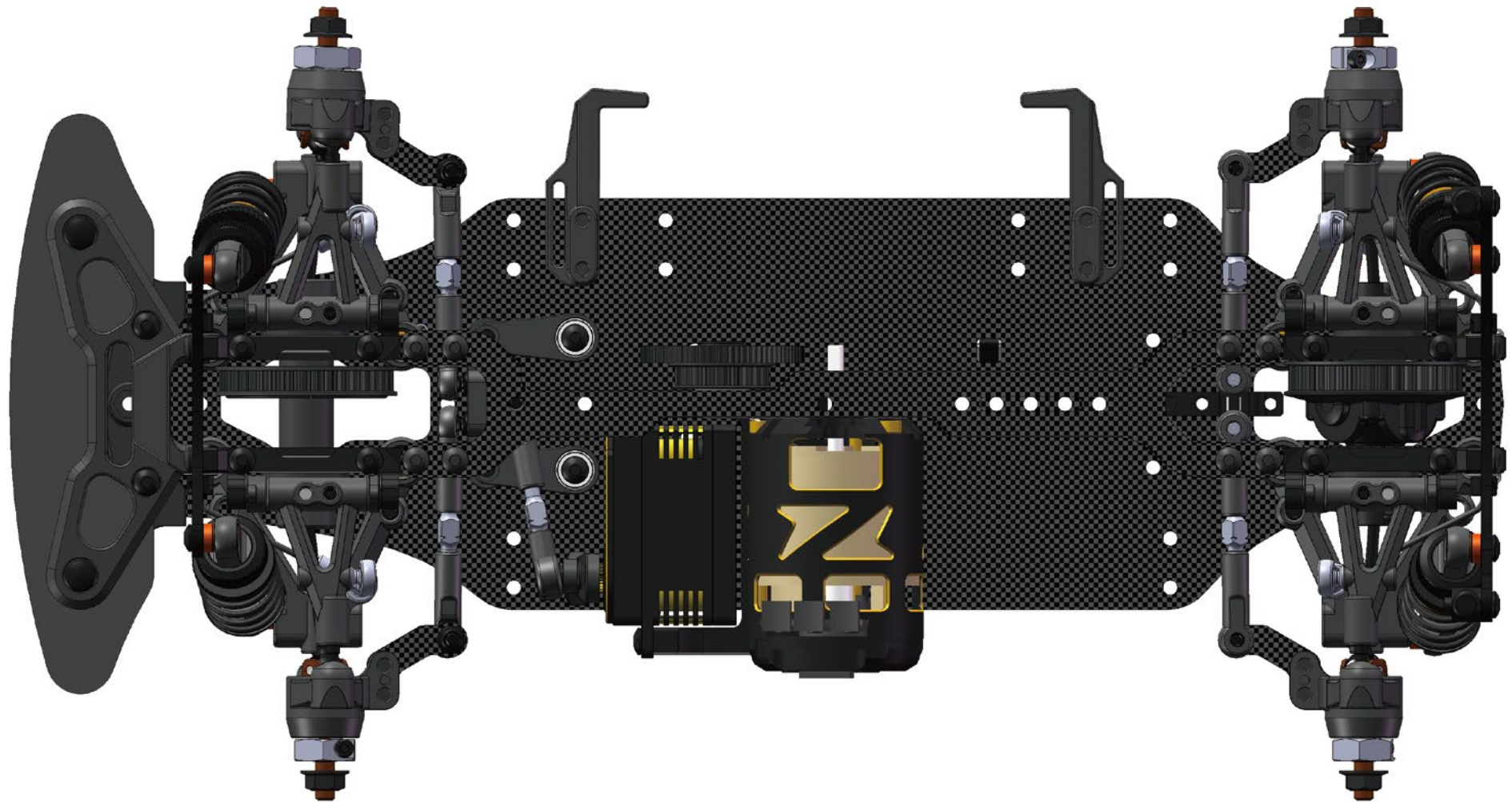
X20mini WB210



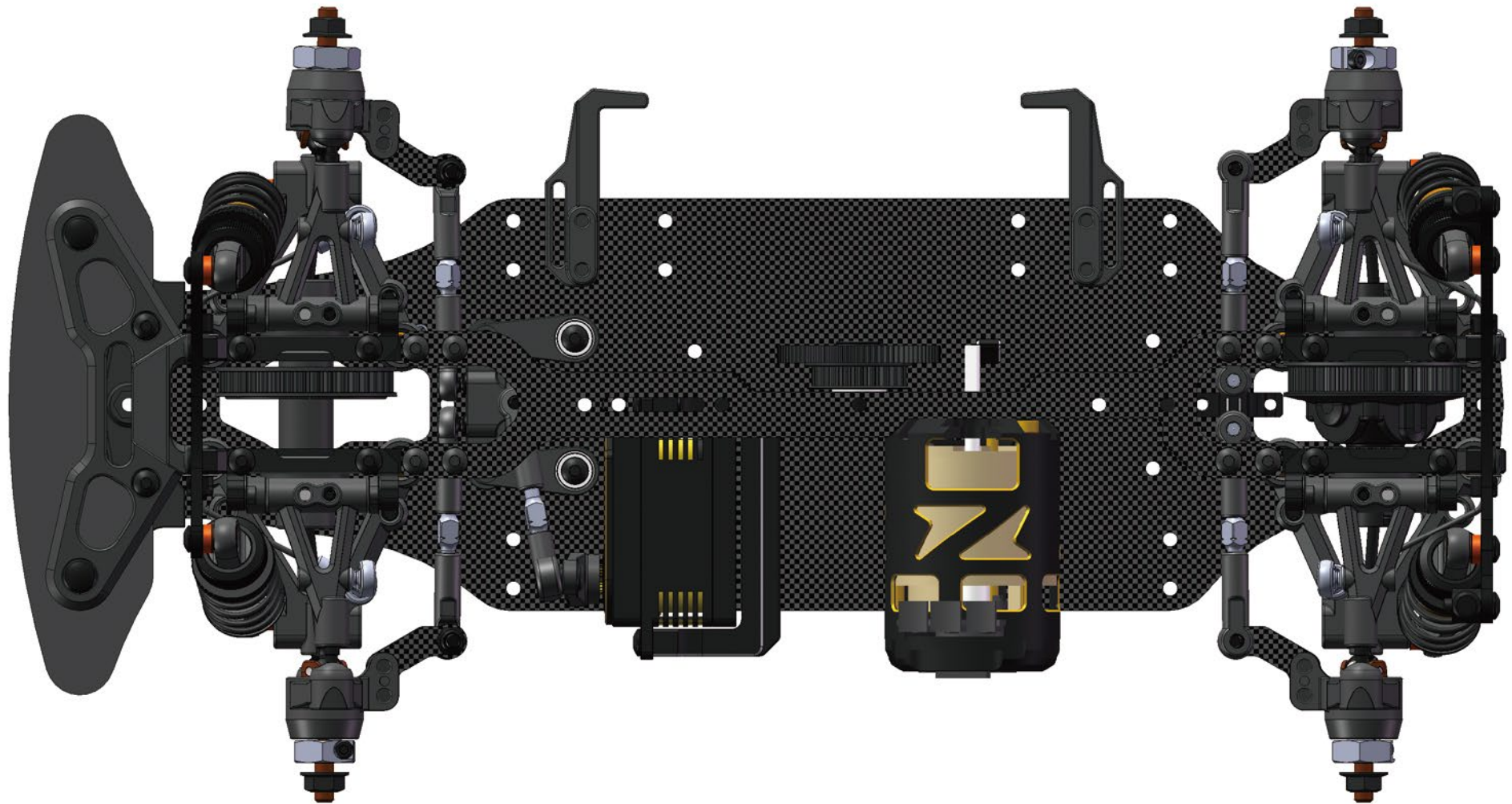
X20mini WB210



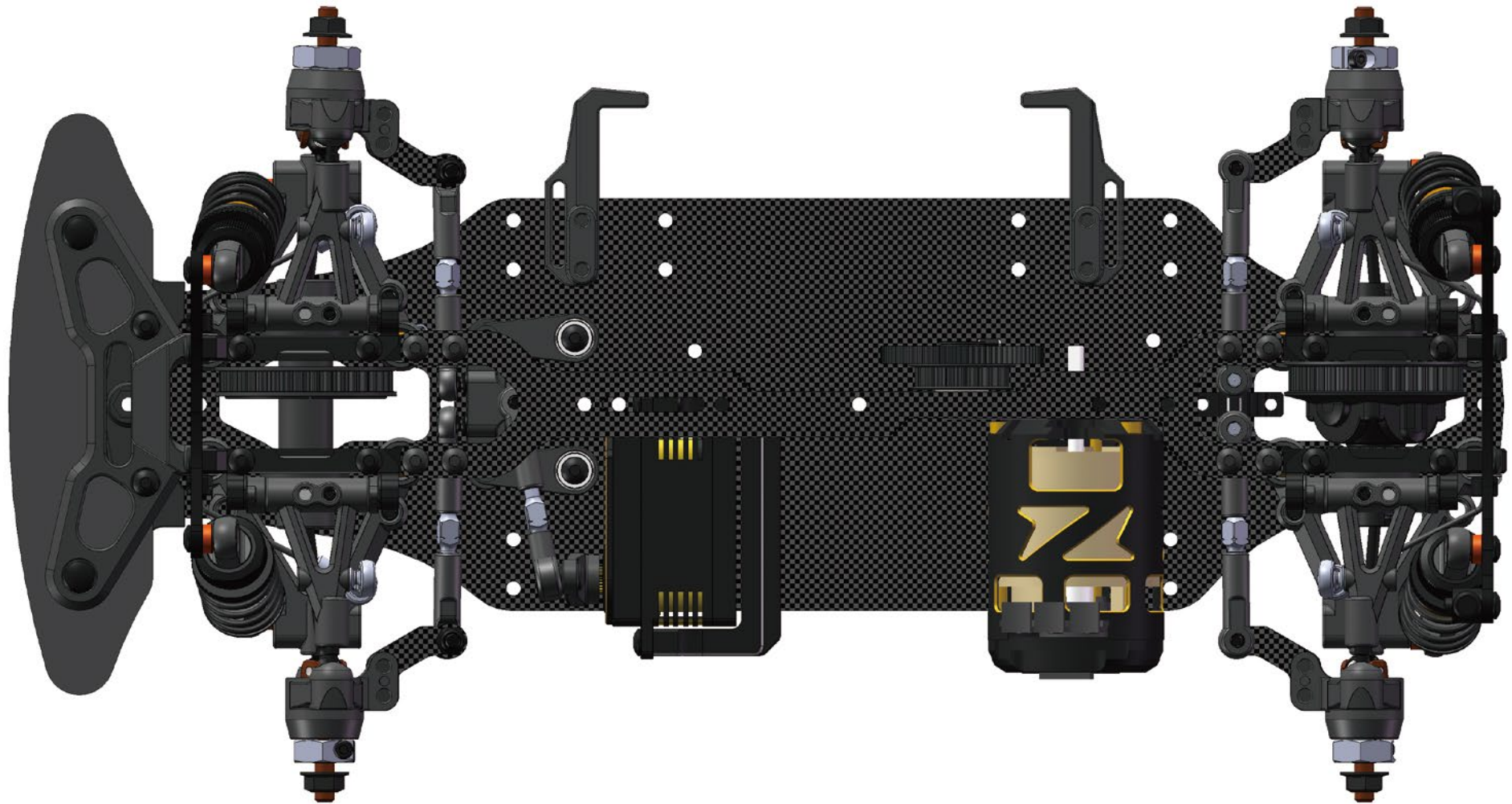
X20mini 4WD 5:5



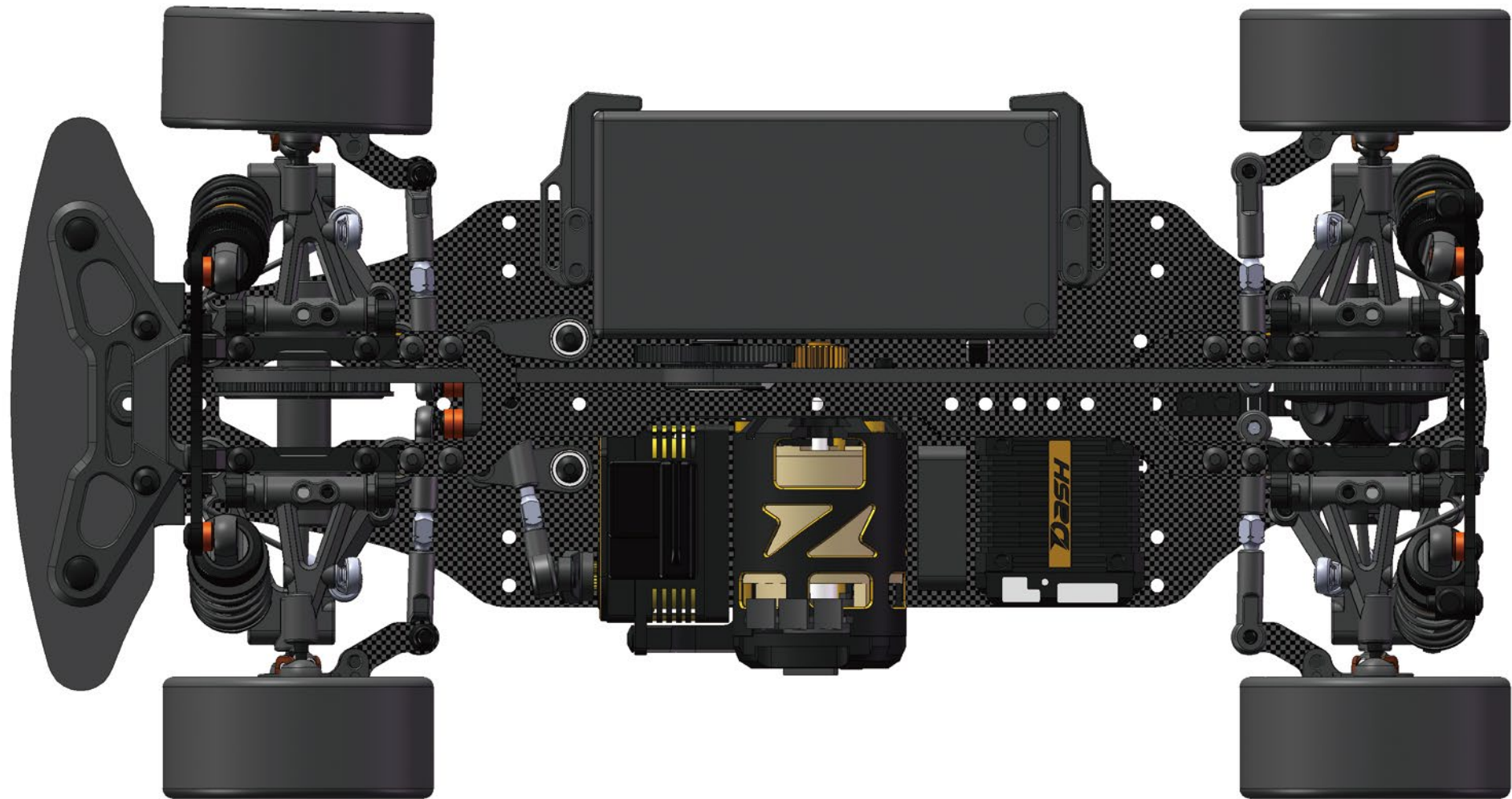
X20mini 4WD 6:4



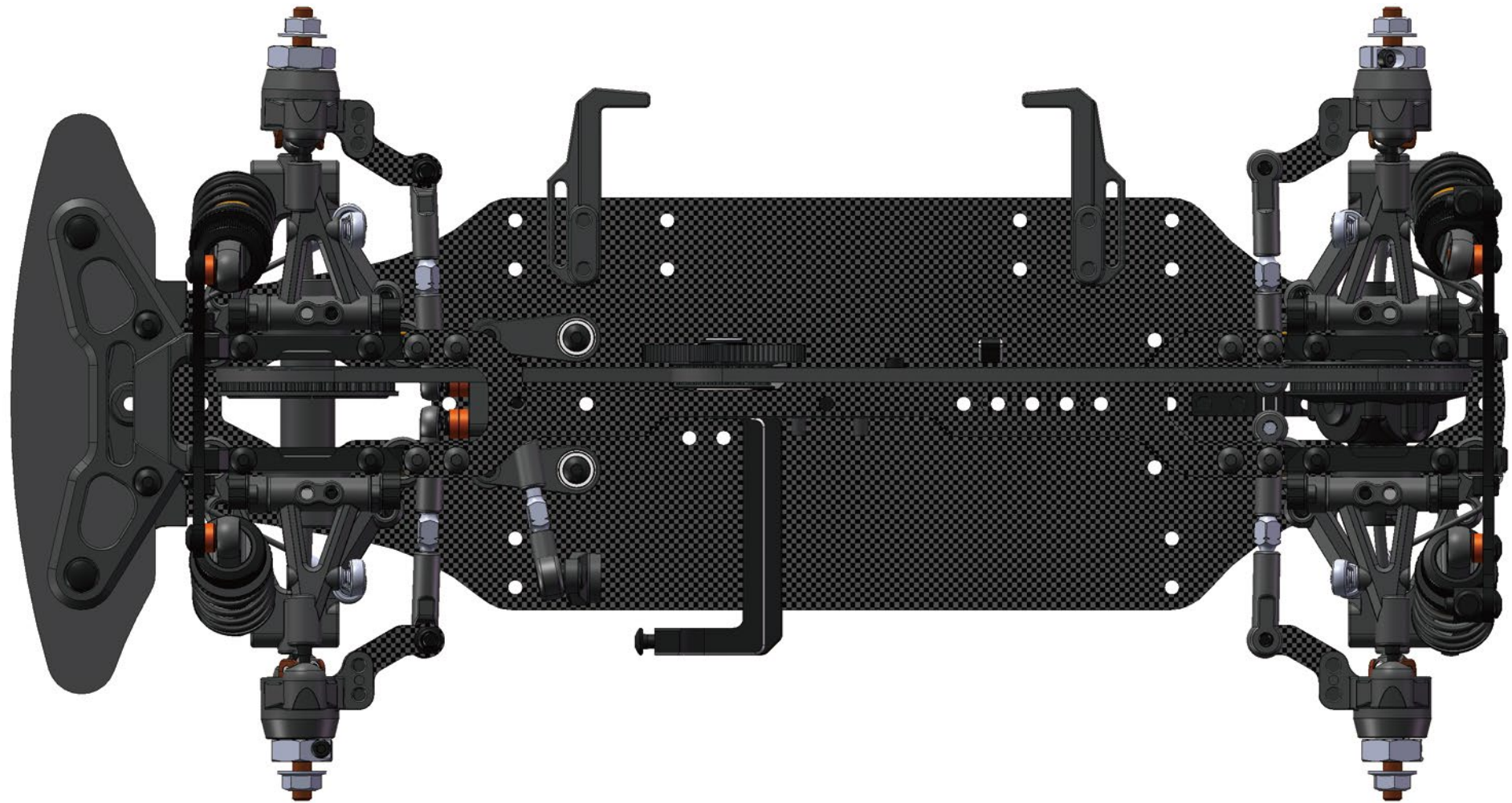
X20mini 4WD 7:3



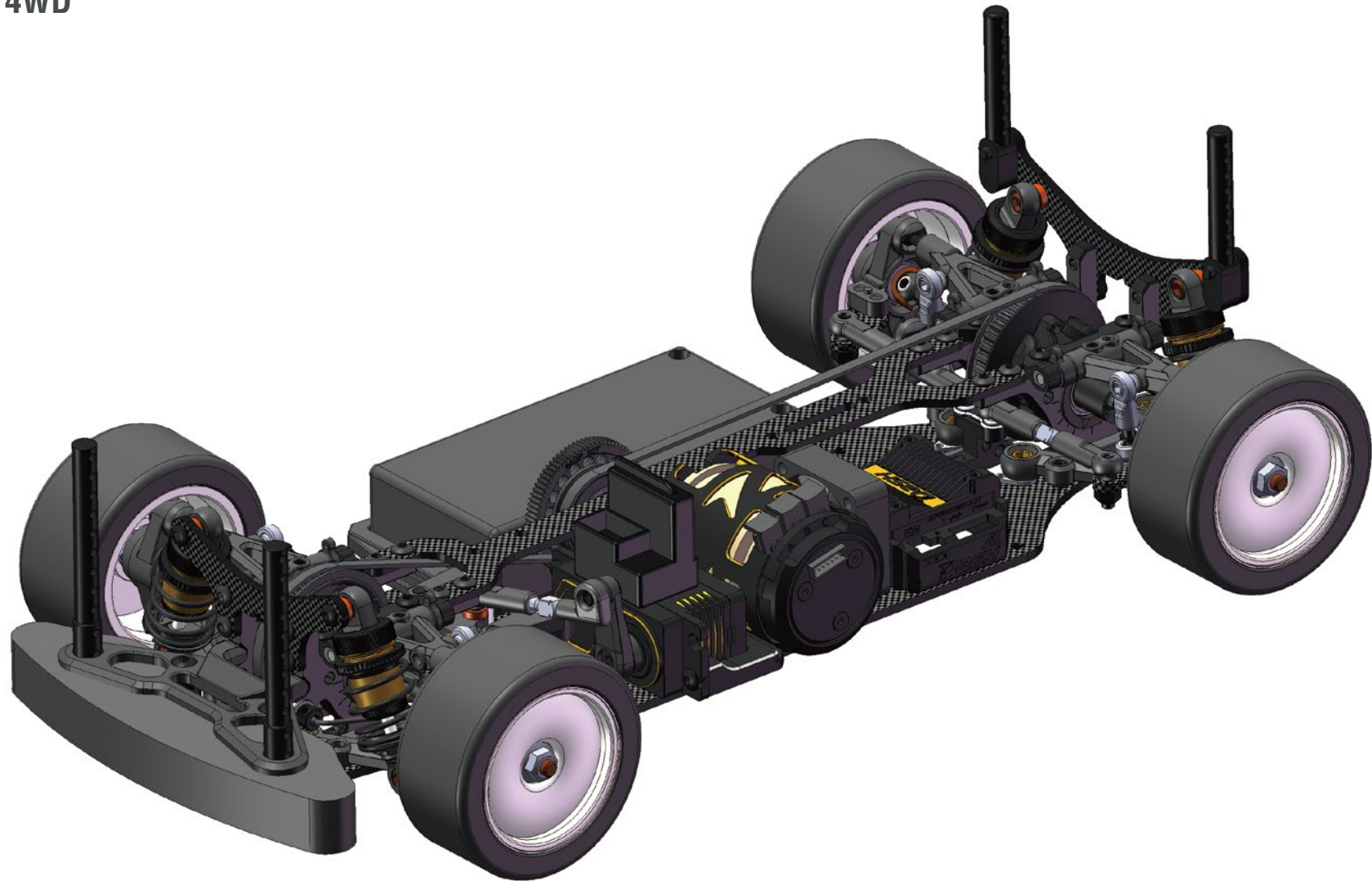
X20mini WB225



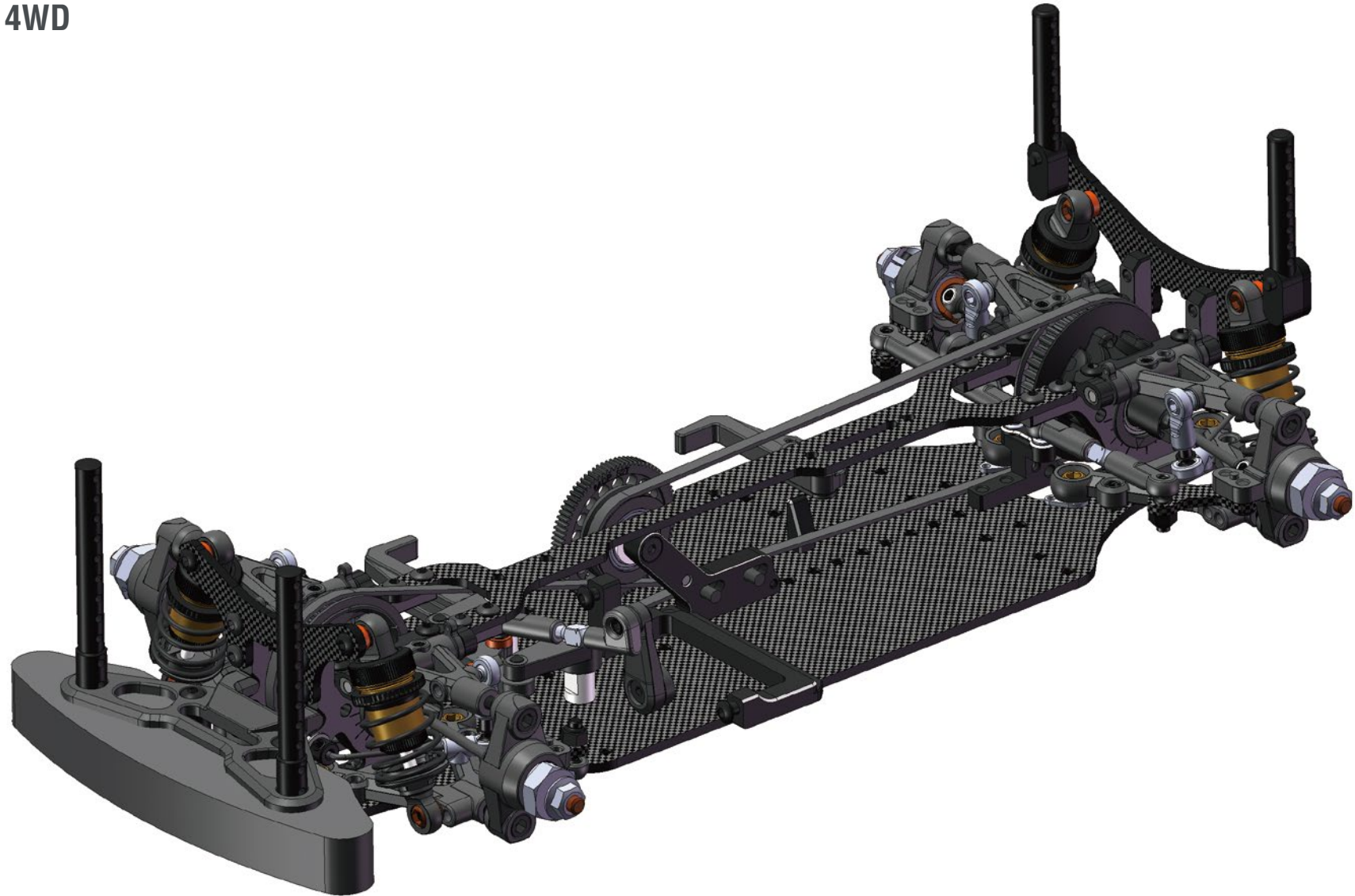
X20mini WB225



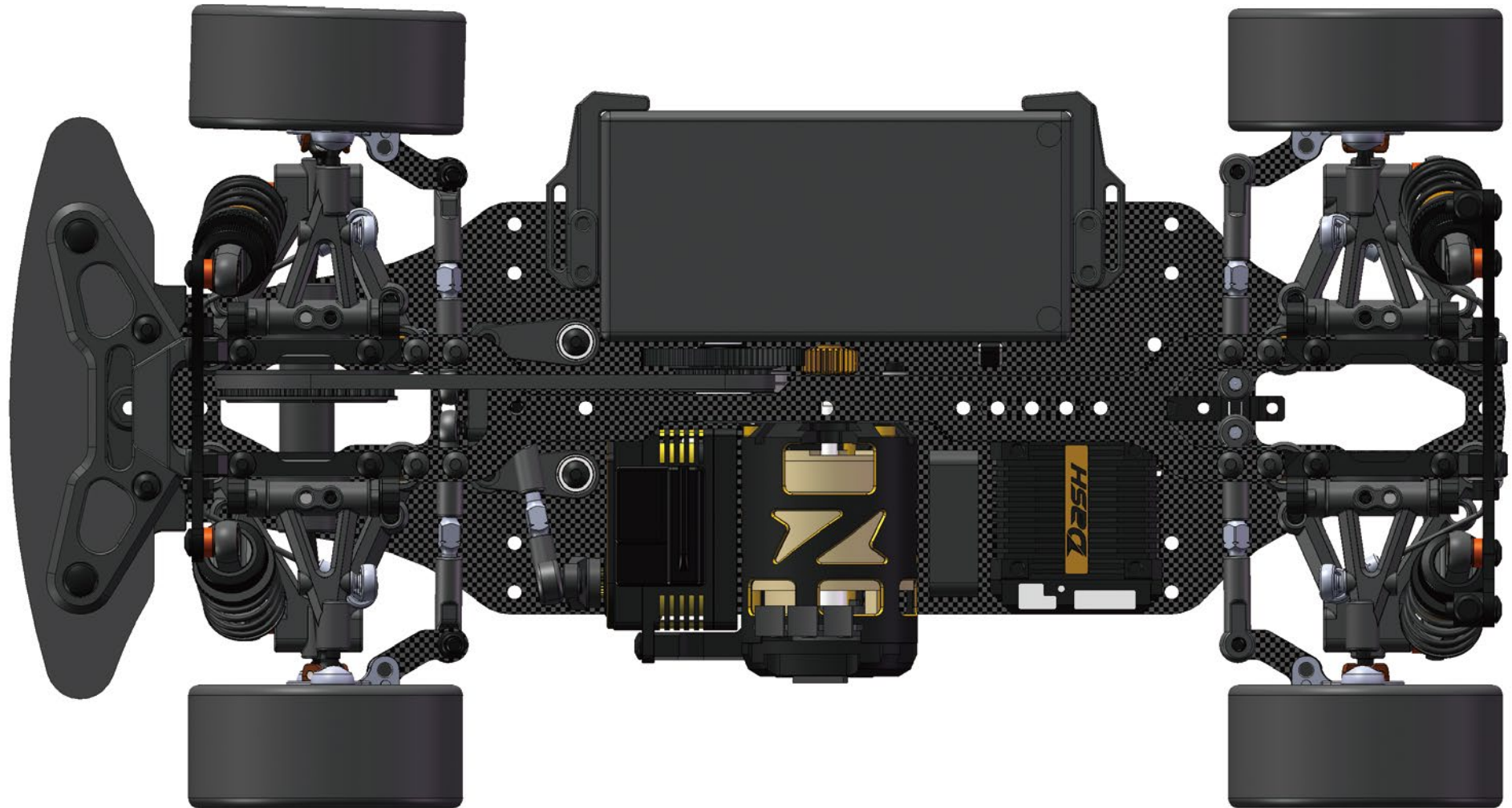
X20mini 4WD



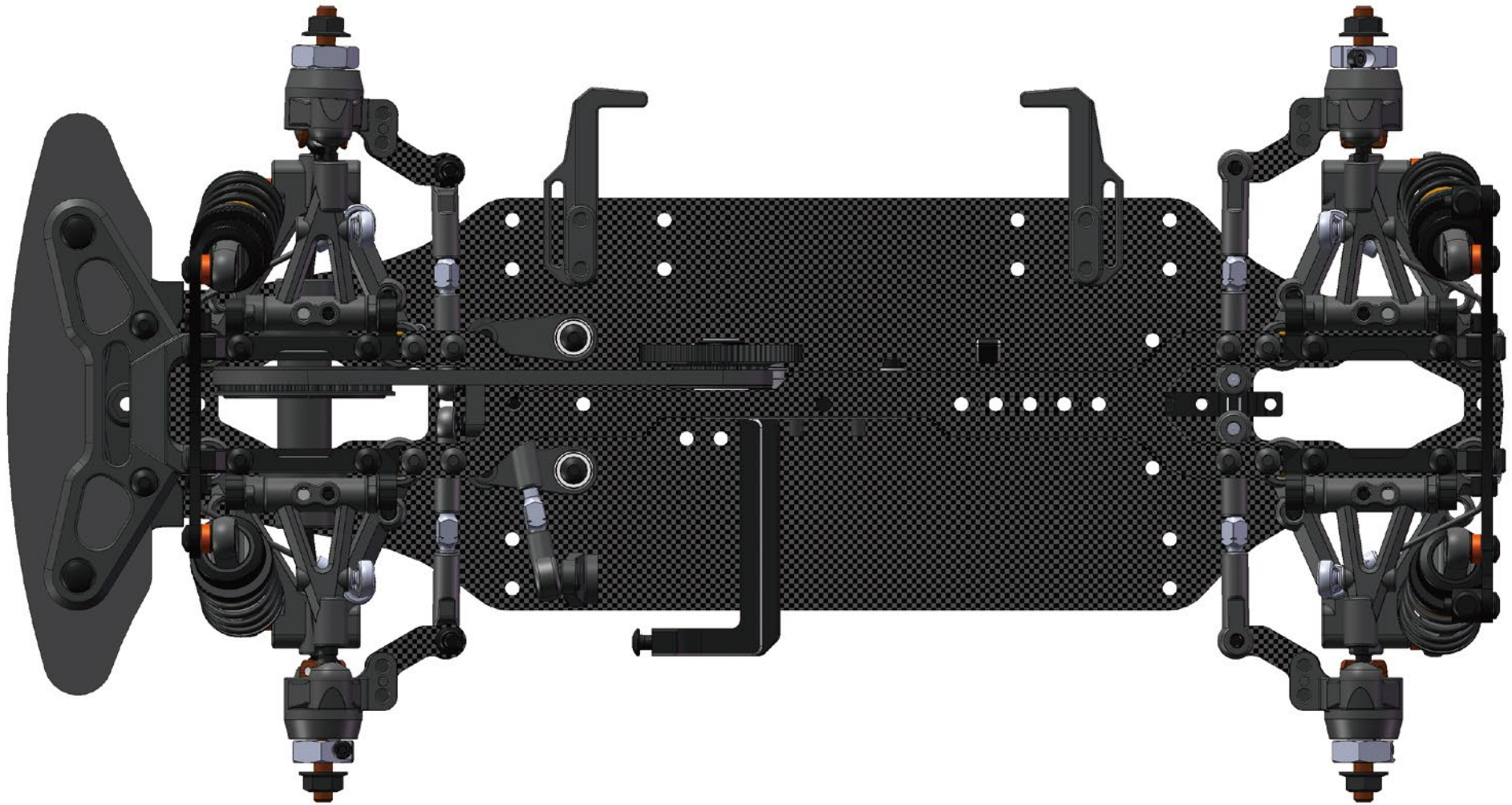
X20mini 4WD



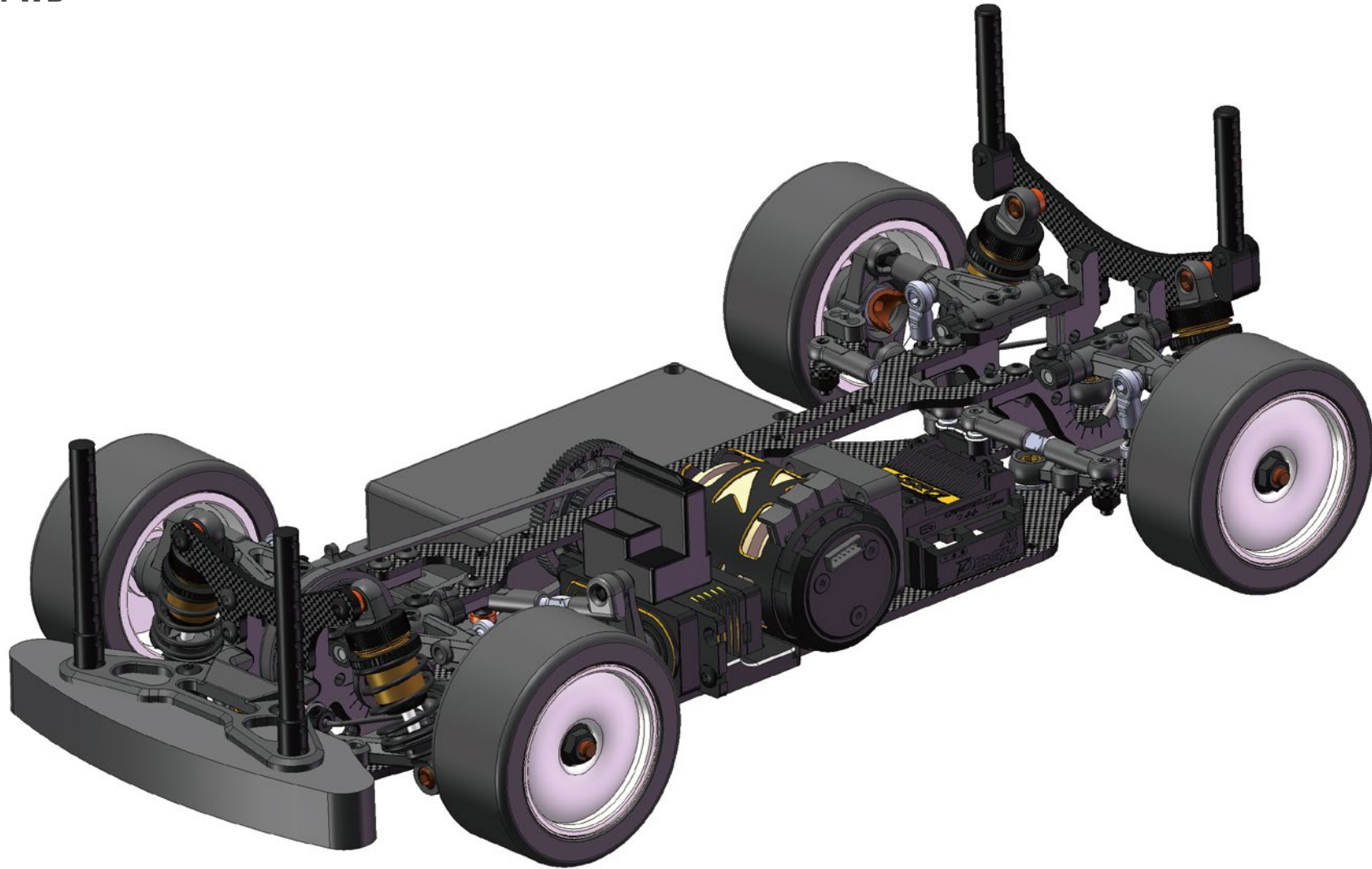
X20mini FWD



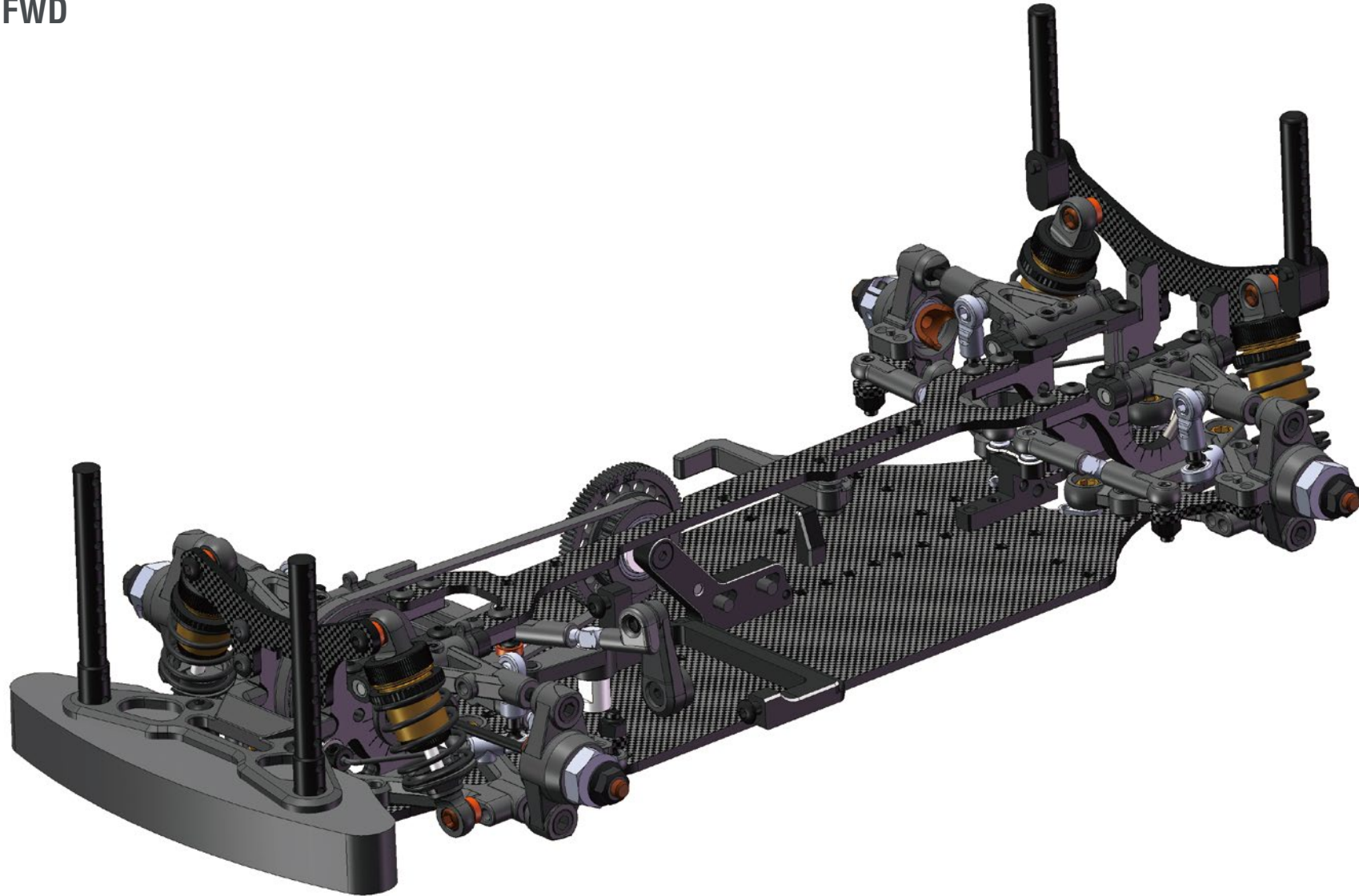
X20mini FWD



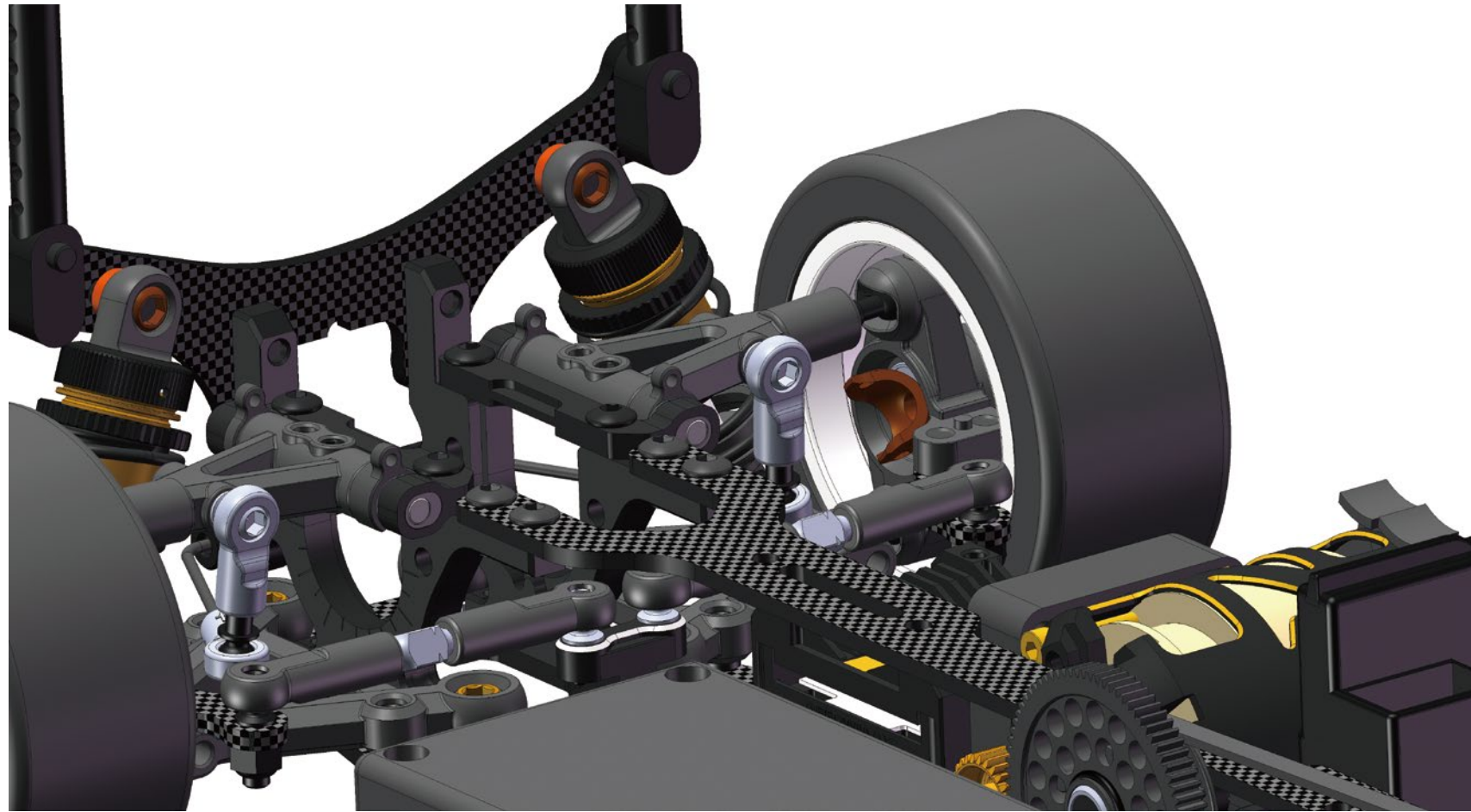
X20mini FWD



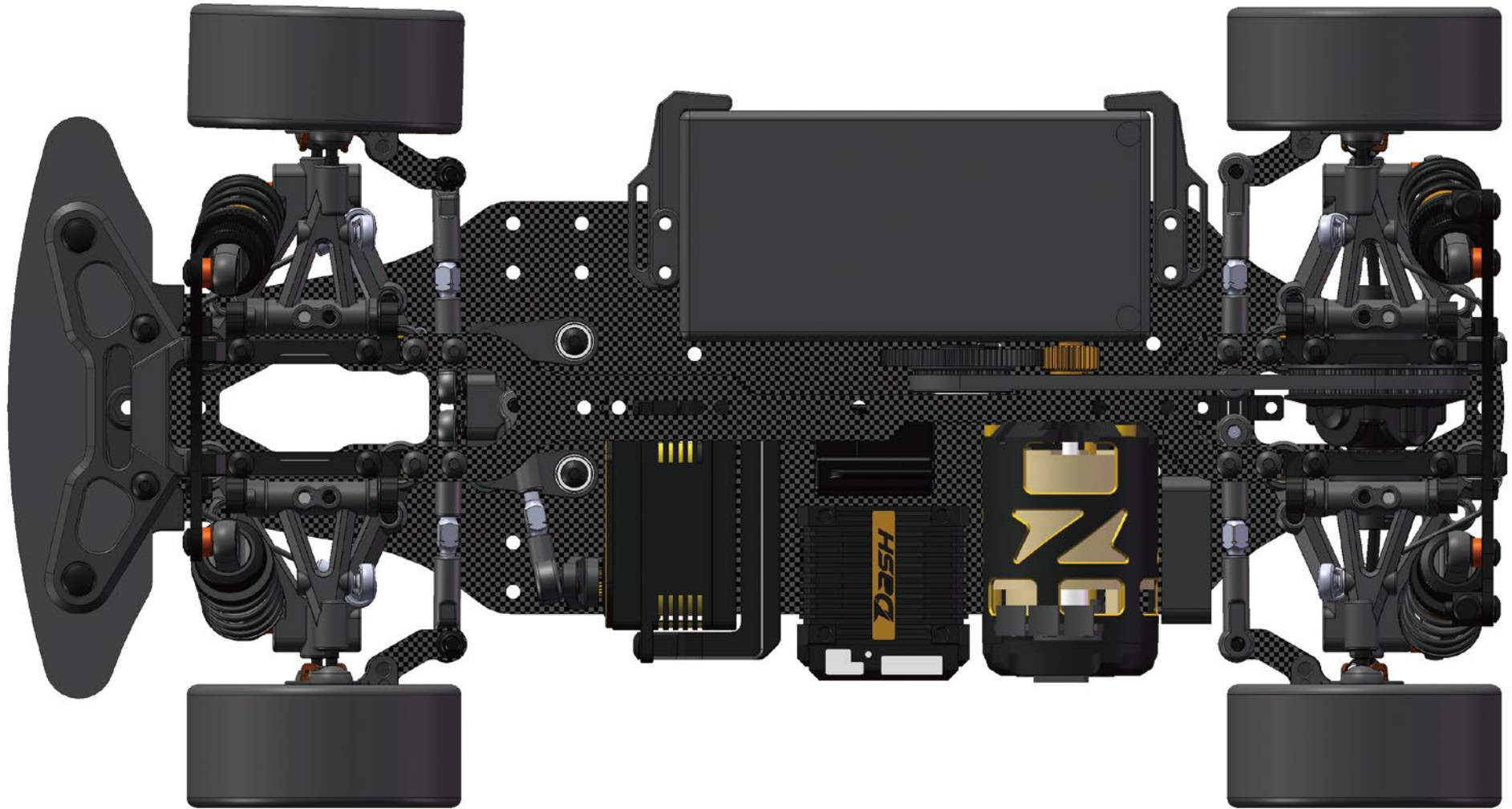
X20mini FWD



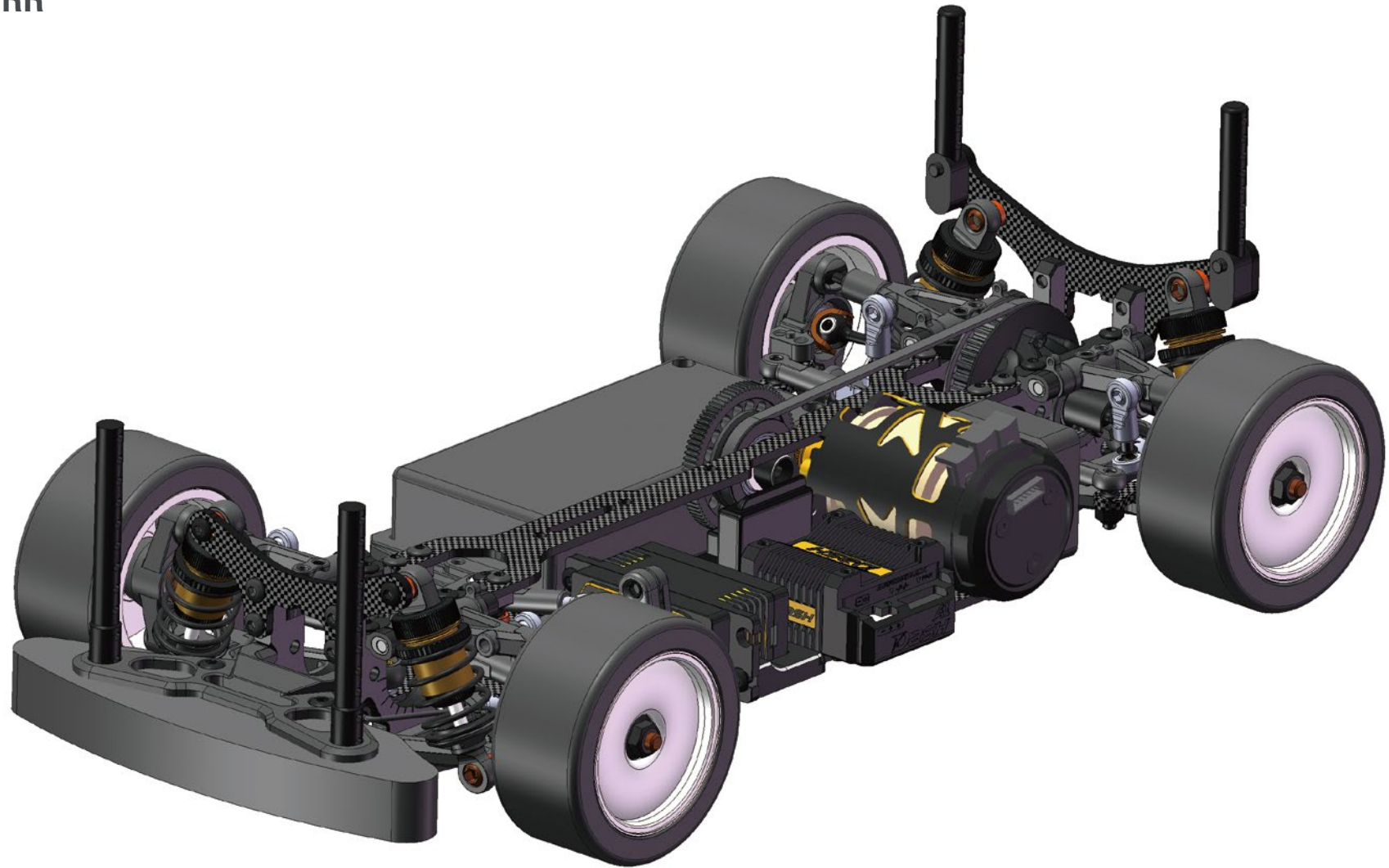
X20mini FWD



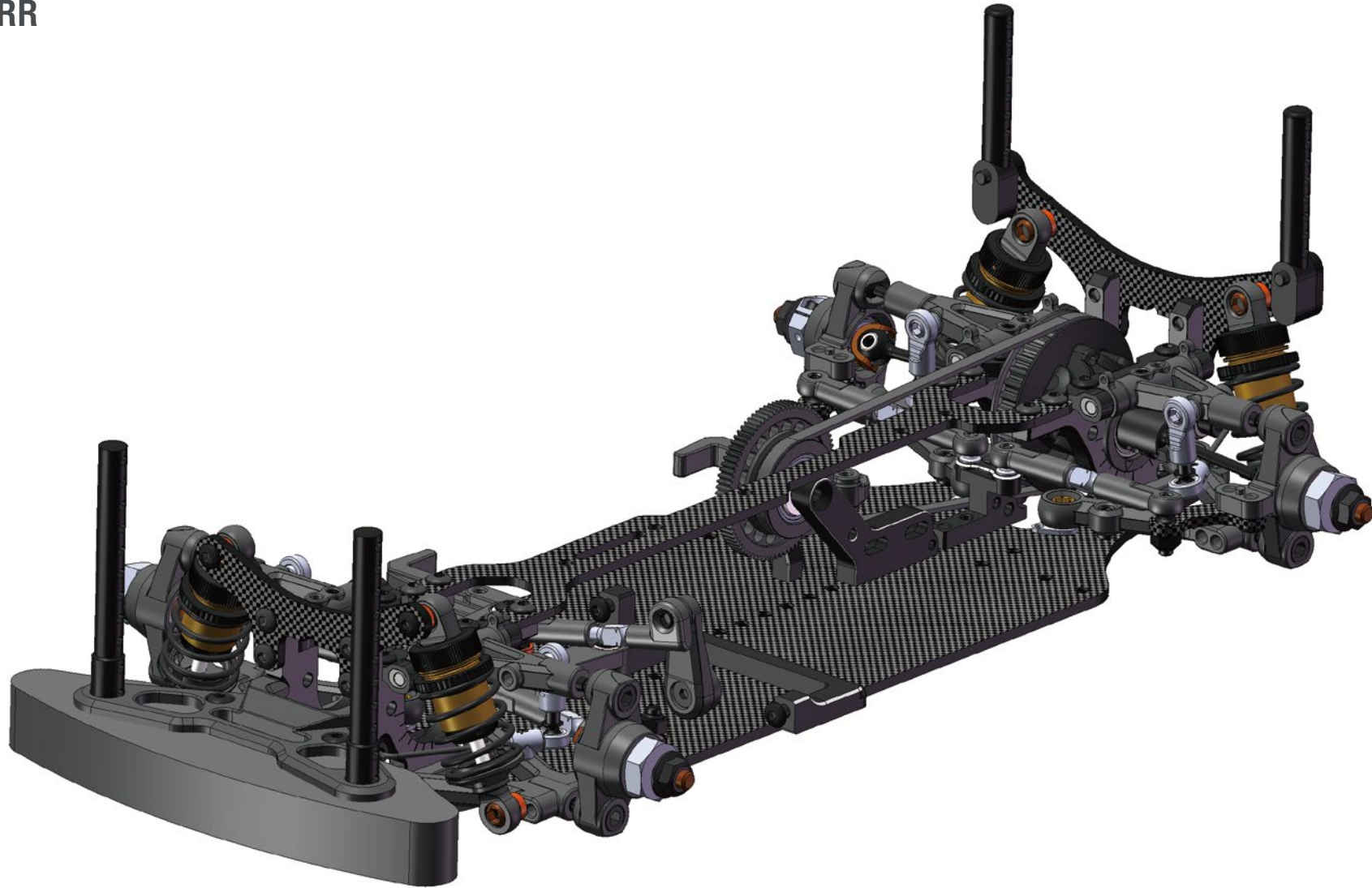
X20mini RR



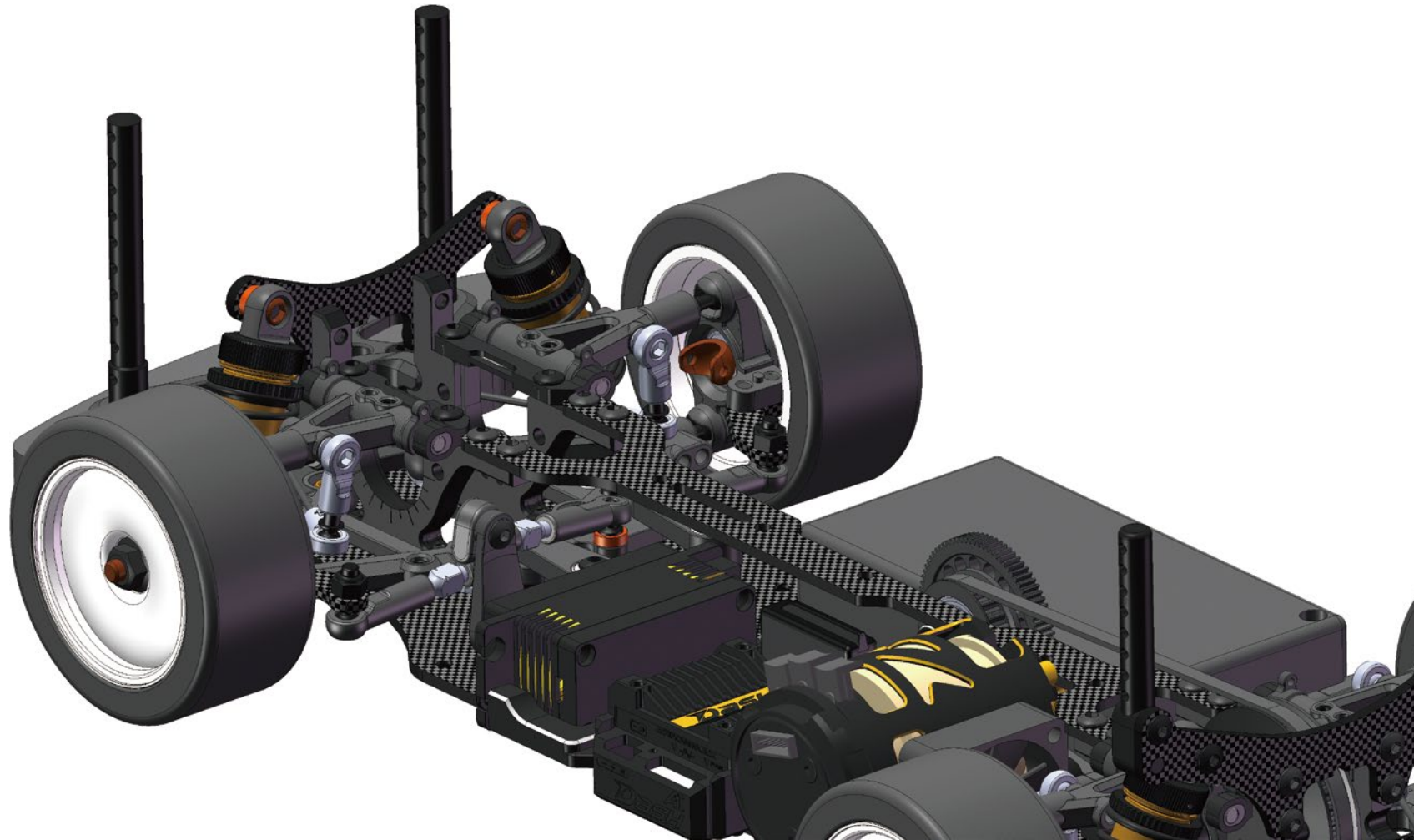
X20mini RR

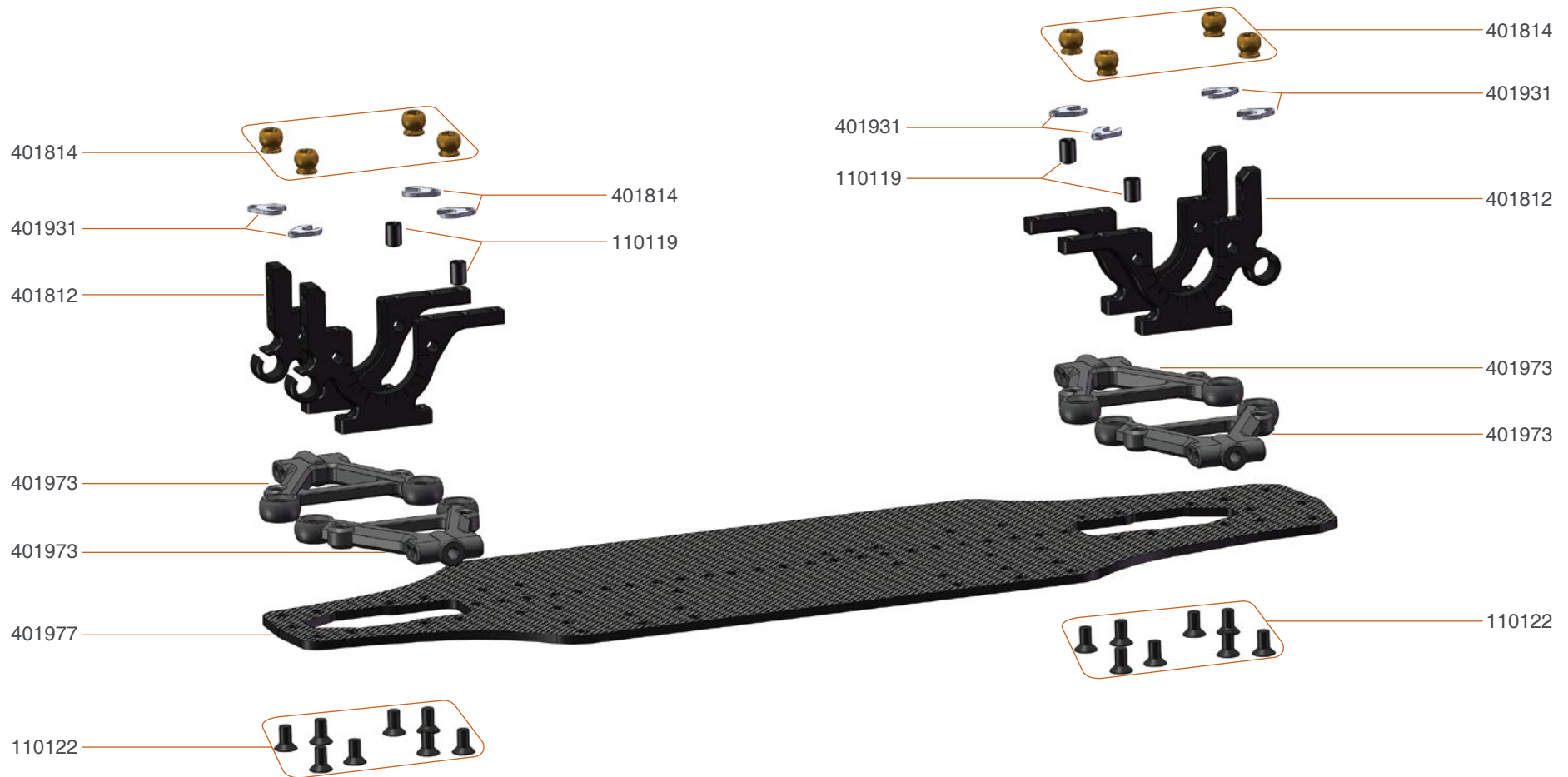


X20mini RR



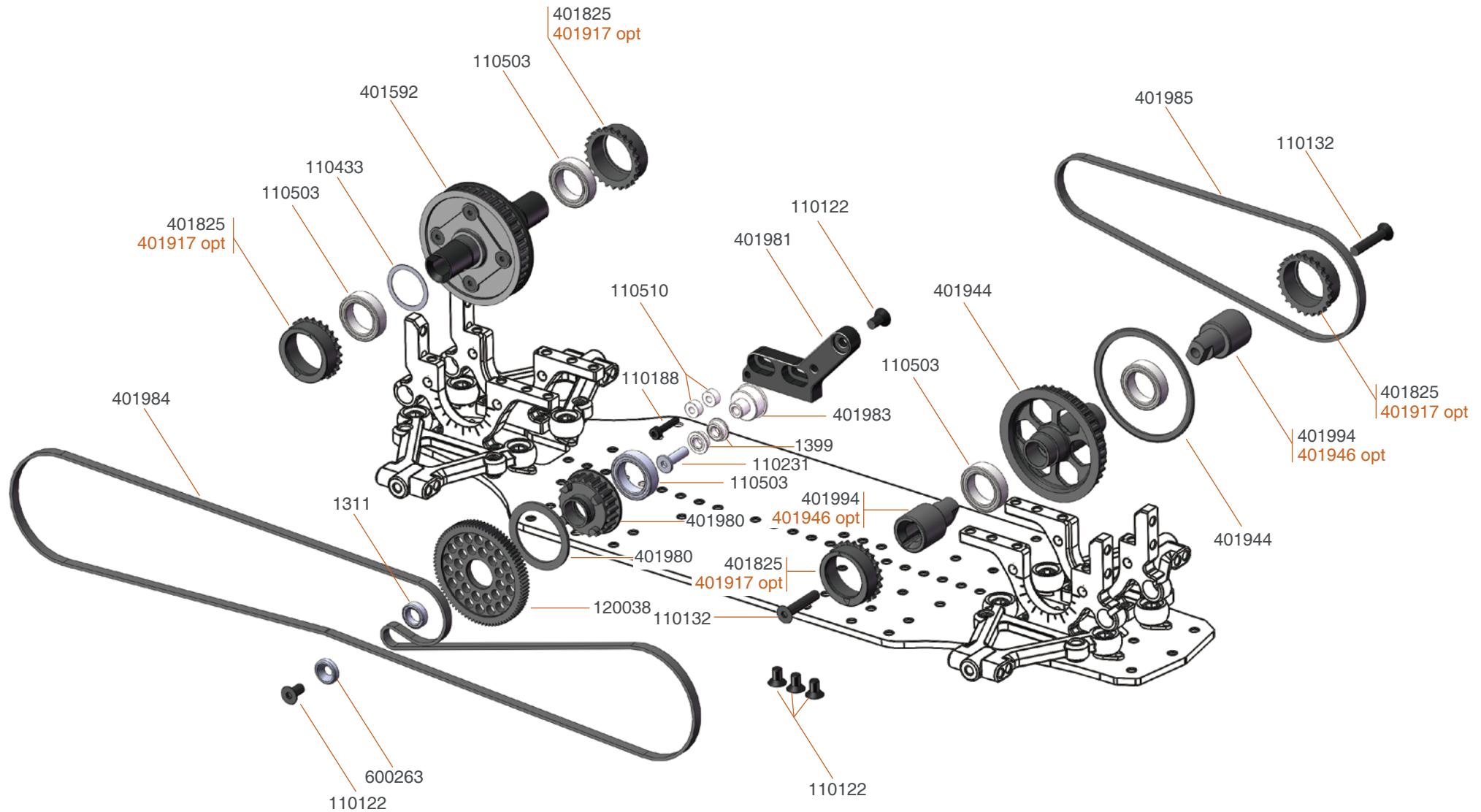
X20mini RR





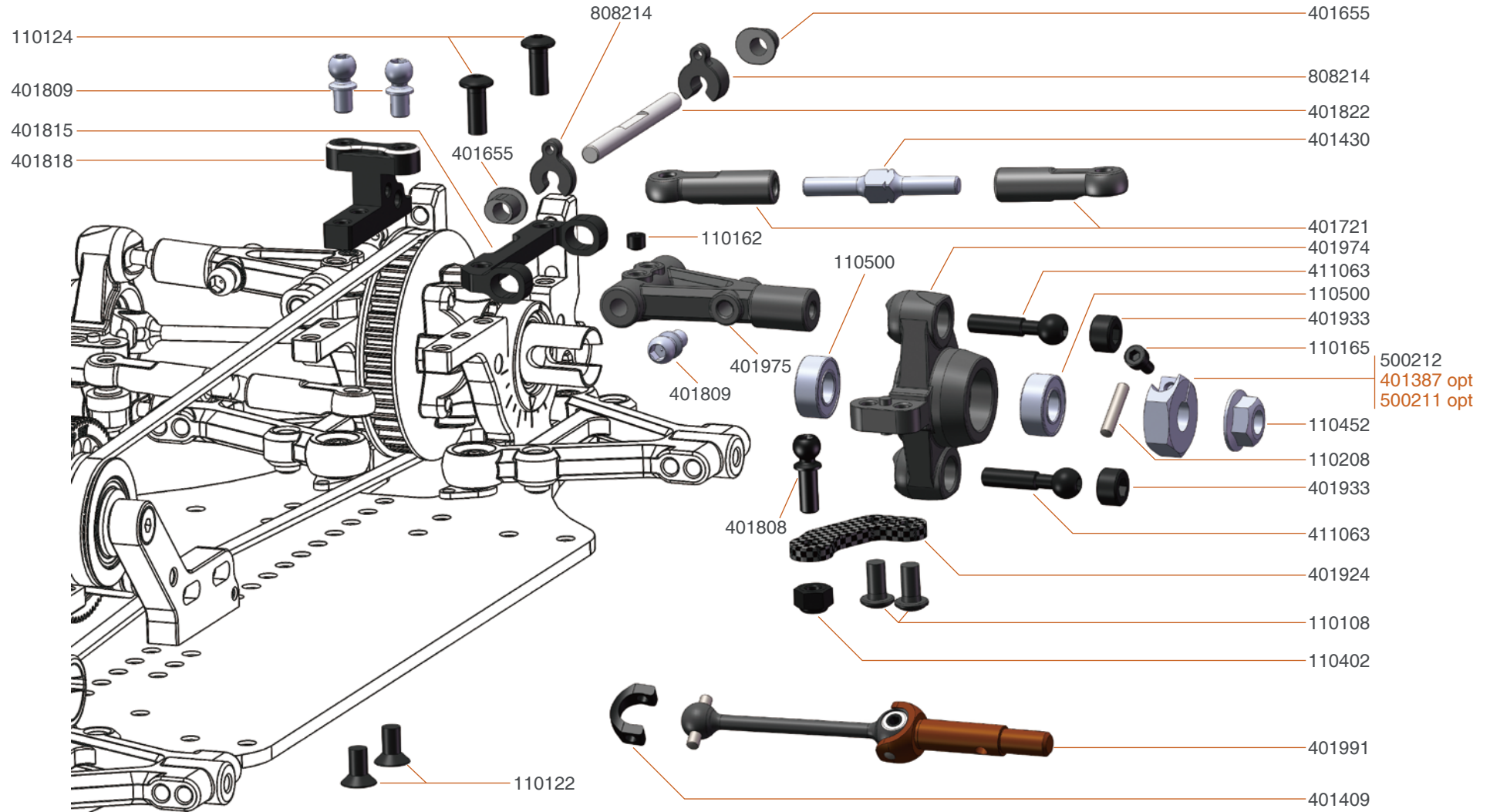
- 401958 Chassis weight 10gr X20 '21
- 401961 Chassis weight RX 5gr X20 '21
- 401964 Chassis brace set fr X20 '21
- 401965 Chassis brace set rr X20 '21

- 401966 Front stiffner set X20 '21
- 401967 Rear stiffner set X20 '21

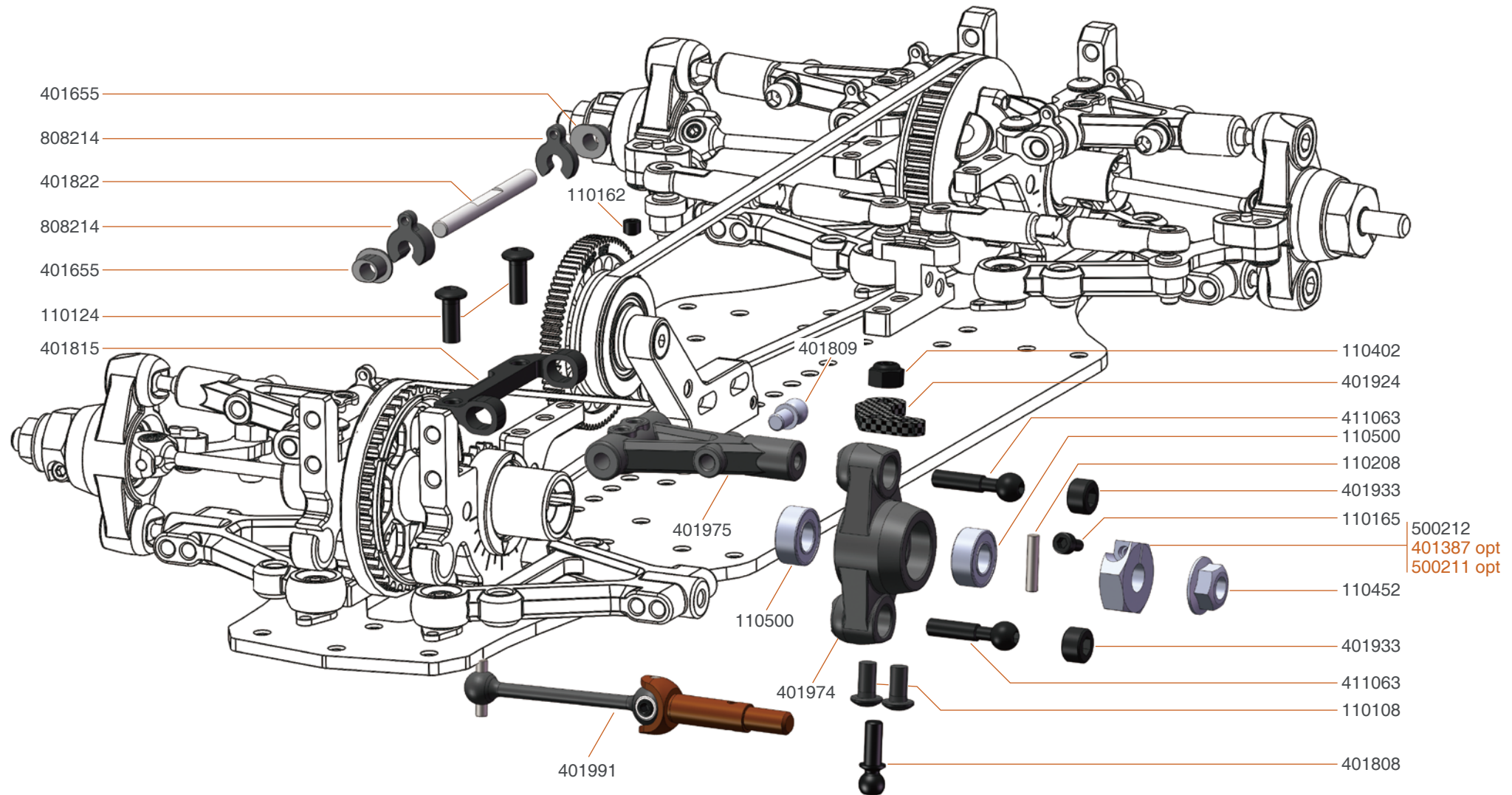


- 401866 Chassis stiffner center mid carbon X20
- 401913 Adjustable chassis brace rr X20
- 401917 Bearing excenter fr/rr (4) alu X20
- 401946 Outdrive solid axle (2) X20

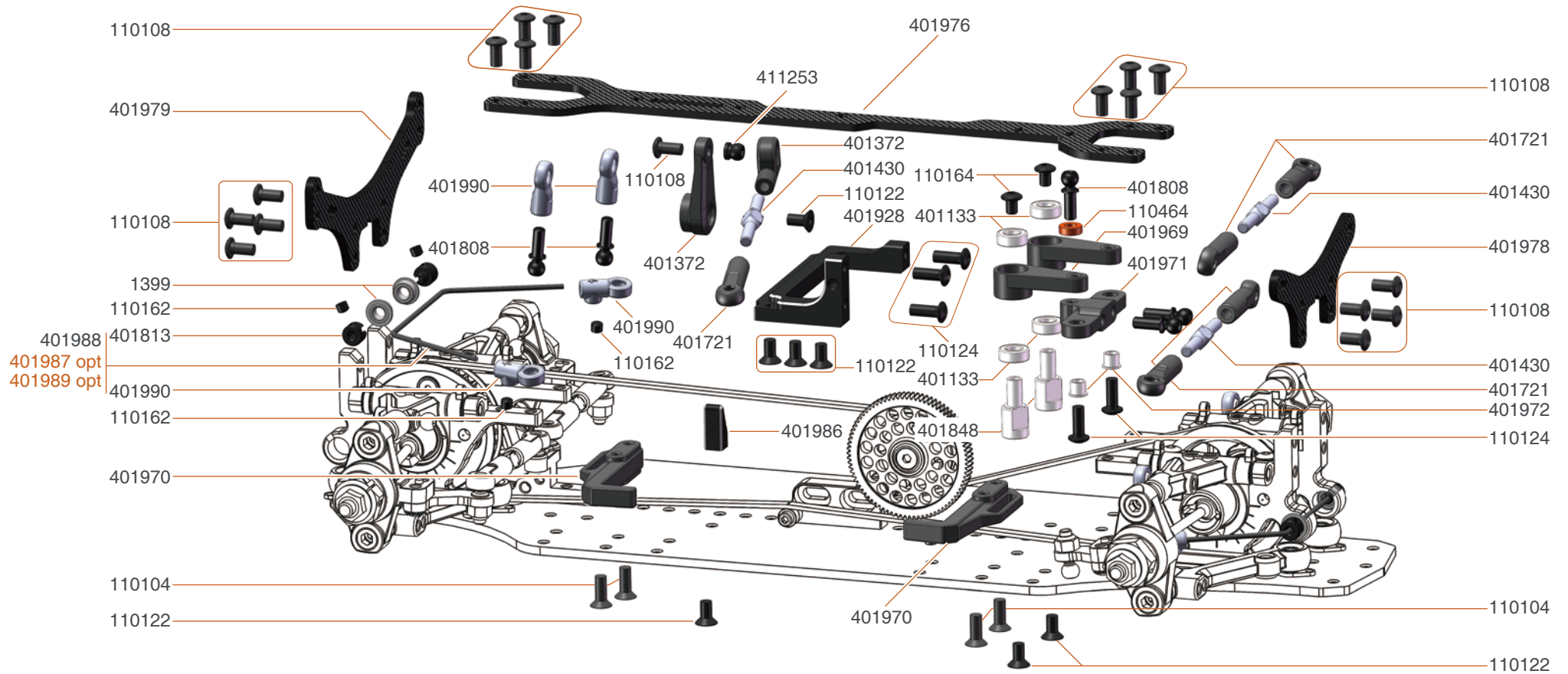
- 120024 Spur diff gear 64P/86T
- 120041 Spur diff gear 64P/80T
- 120049 Spur diff gear 64P/78T



- 401387 Wheelhexagon 1mm offset (2)
- 401816 Suspension bracket spacer 1mm (4) X20
- 500211 Wheelhexagon +0.75mm offset (2)

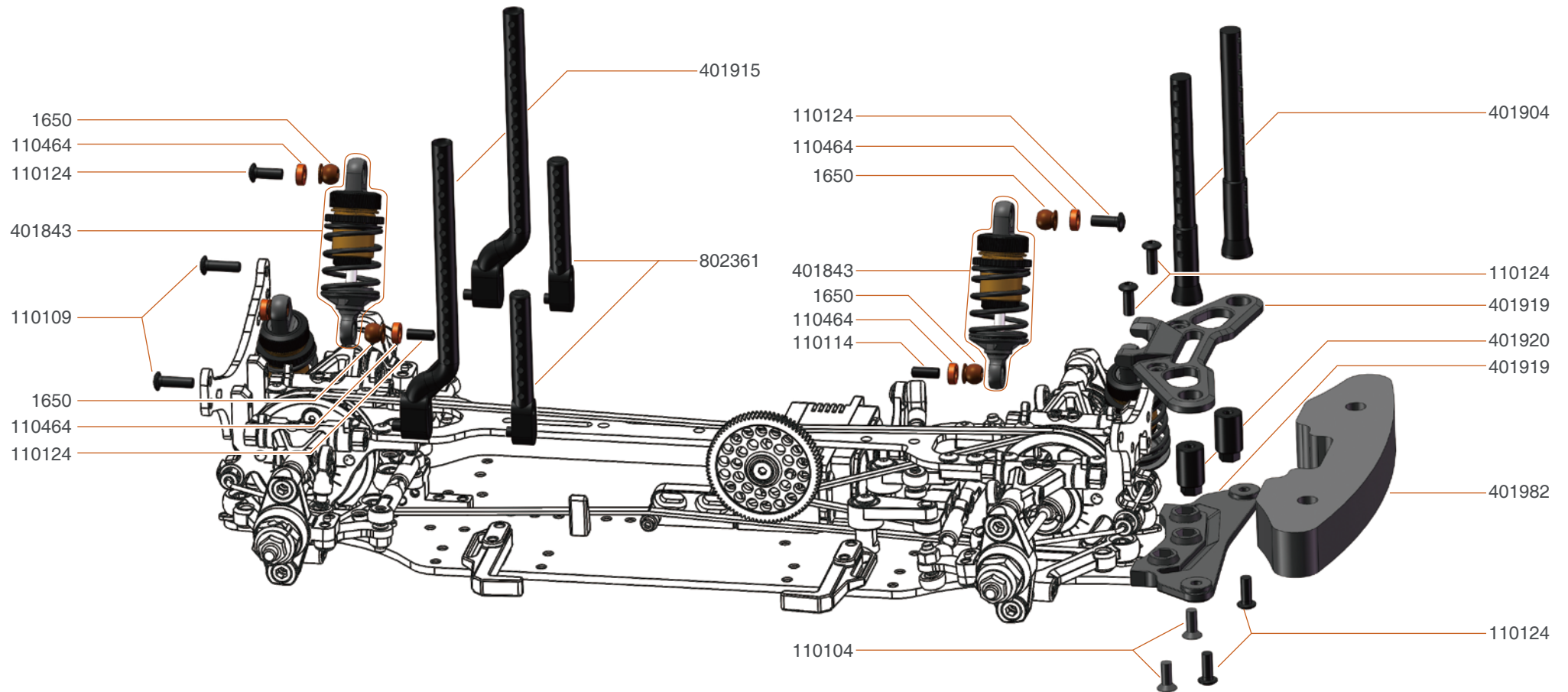


- 401387 Wheelhexagon 1mm offset (2)
- 401816 Suspension bracket spacer 1mm (4) X20
- 500211 Wheelhexagon +0.75mm offset (2)



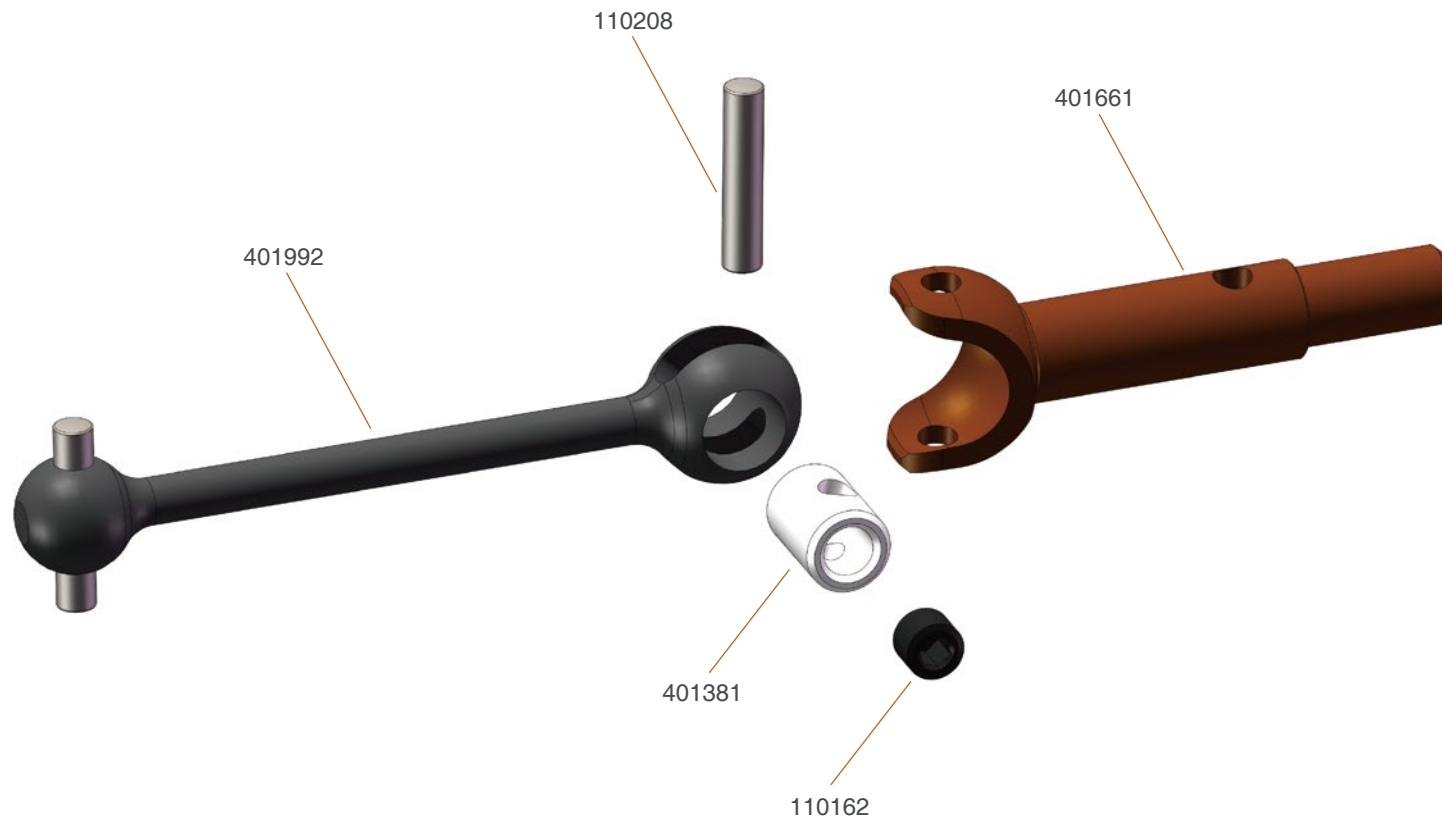
- | | | | |
|--------|----------------------------|--------|------------------------------|
| 401987 | Antirollbar 1.2mm X20M | 600290 | Servo lever steering 23T alu |
| 401989 | Antirollbar 1.4mm X20M | 600291 | Servo lever steering 24T alu |
| 401849 | Steering lever alu (2) X20 | 600292 | Servo lever steering 25T alu |
| 401850 | Steeringrack alu X20 | | |





- 401954 Bumper top carbon X20 '21
- 401602 Body-height fine-tuner alu (4)
- 804293 Body support washers med + high (5+5)

401991 CVD driveshaft set (2) X20M



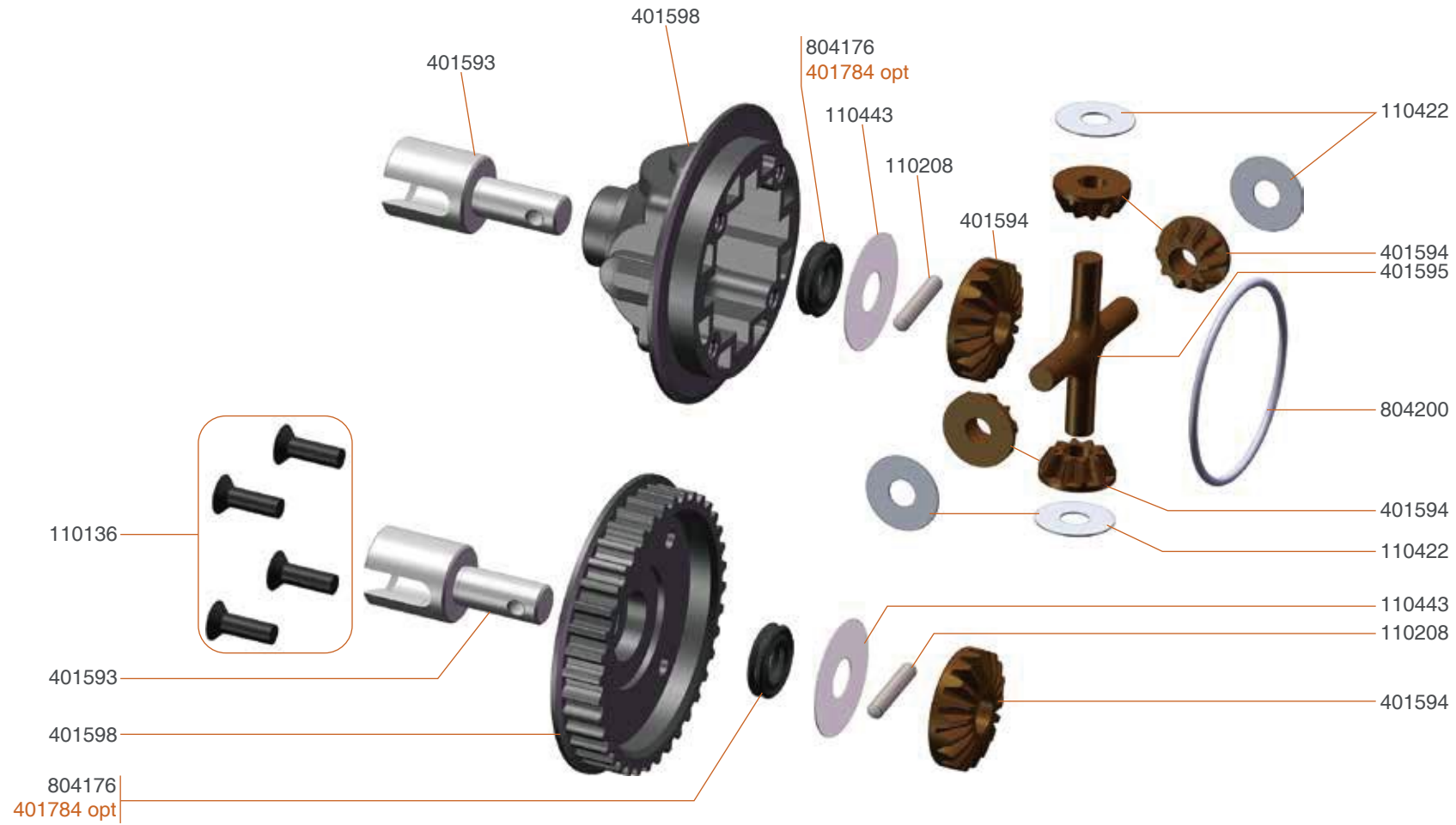


401843 Shockset (2) X20



- 401840 Shock piston 3-holes (4) X20
- 401852 Spring fr/r 2,5 (2)
- 401854 Spring fr/r 2,7 (2)
- 401855 Spring fr/r 2,8 (2)

401592 Geardiff V3 composite

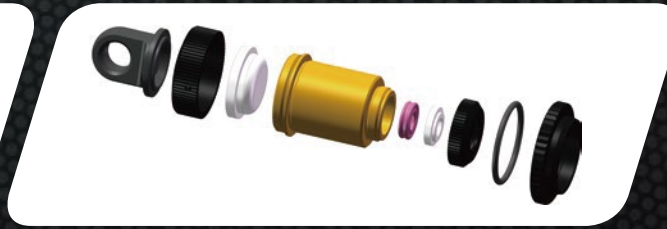
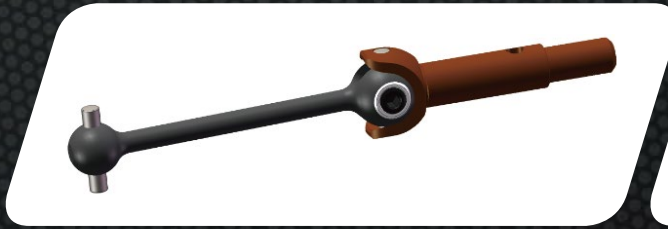


401784 Seal 5x9x2 diff (2)

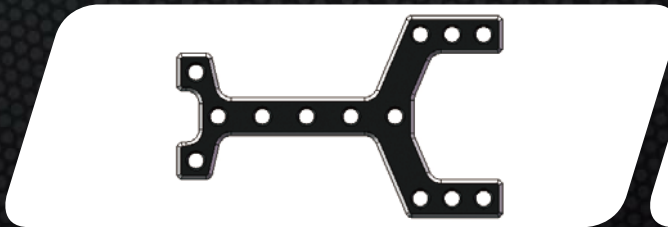


TEAM SERPENT NETWORK

X20 mini SPARE PARTS www.serpent.com/400020/spares/



X20 mini OPTIONALS PARTS www.serpent.com/400020/Optionals/



SERPENT TOOLS www.serpent.com/product/Tools/



SERPENT MERCHANDISING www.serpent.com/product/Merchandising/



SERPENT WEBSITE AND BLOG

www.serpent.com
www.teamserpent.com
www.dragon-rc.com

SERPENT PROMO PAGES <http://promo.serpent.com>

SERPENT FACEBOOK GROUPS <http://promo.serpent.com/indexfb.htm>

SERPENT ADVANCED MANUALS <http://promo.serpent.com/sam/>

SERPENT SOCIAL MEDIA



www.facebook.com/SerpentMRC



www.youtube.com/user/SerpentMRC



www.twitter.com/SerpentMRC



www.plus.google.com/+SerpentModelcars/posts



www.weibo.com/teamserpent

INSTRUCTION MANUAL



Manual X20M #98597-1

SERPENT