

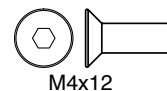
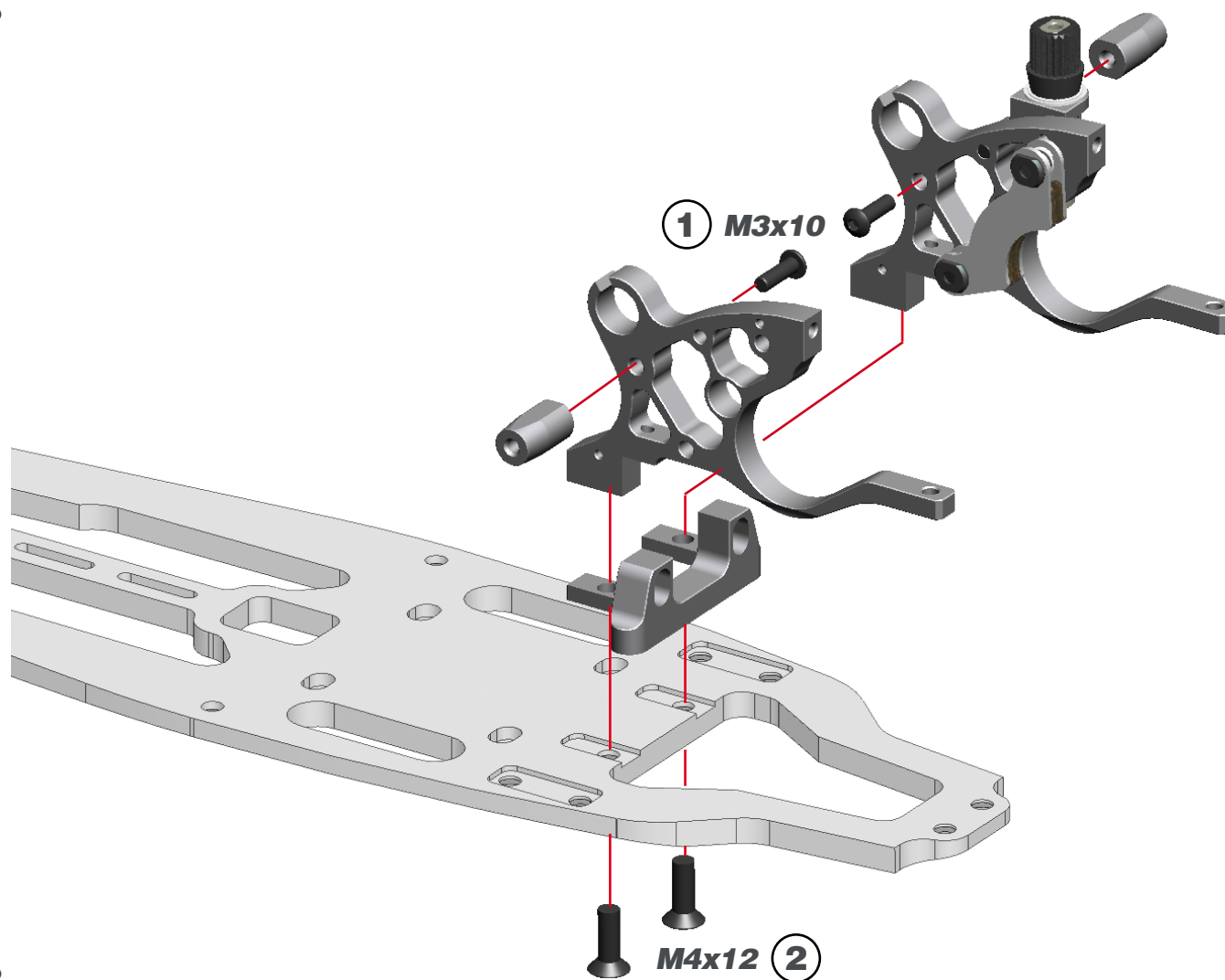
STEP 1

Serpent introduces for the Viper 977 this rear-end upgrade set.

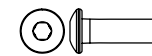
The parts included allow you to create a new rear end geometry, with longer pivot balls, the lower suspension pins moved closer together, combined with a new camber bracket.

This creates an easier Viper 977 car with more traction (acceleration and braking) and higher corner speeds.

The set only includes the parts as needed for the upgrade. All other parts shown in the manual are used from the existing car.

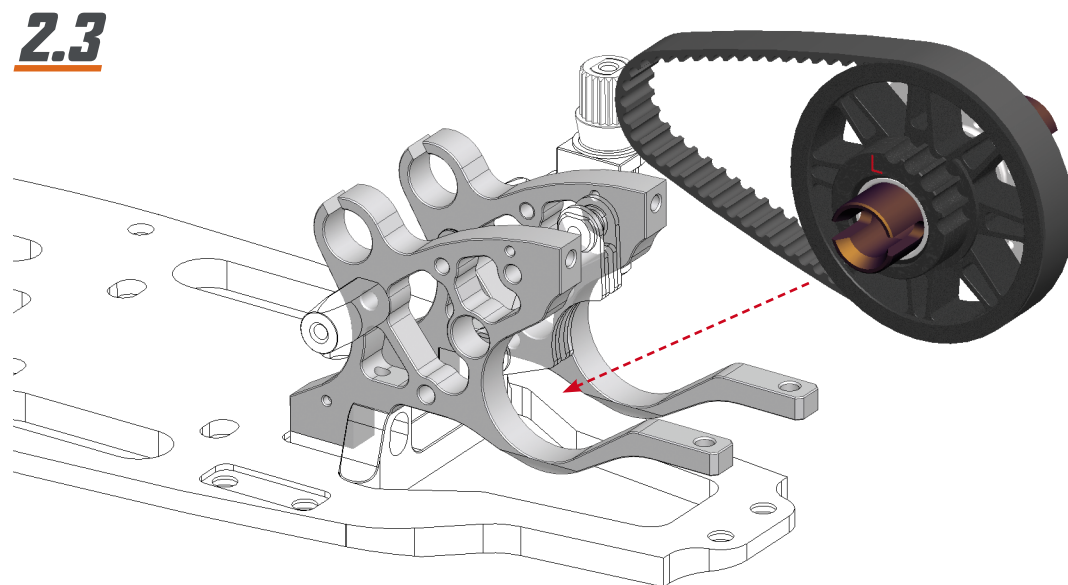
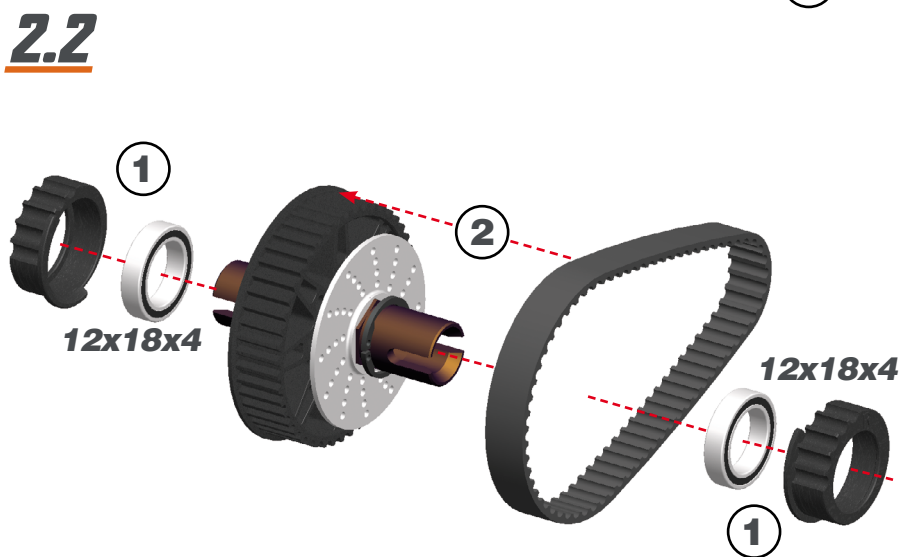
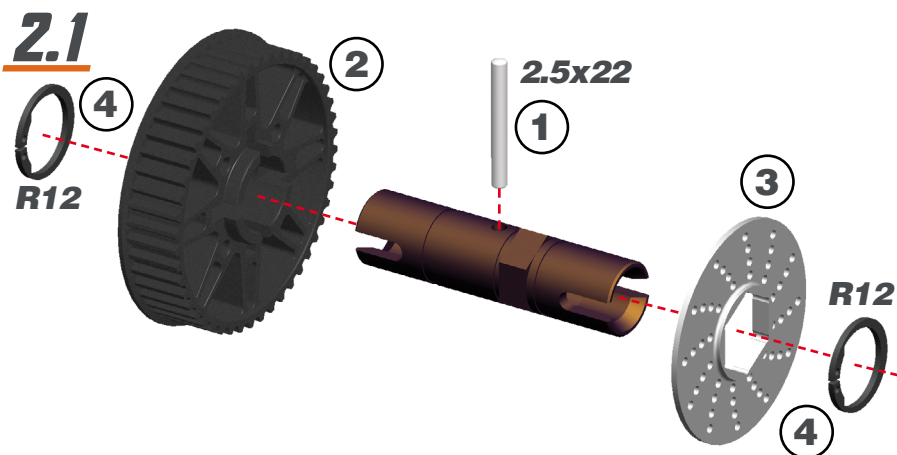


M4x12



M3x10

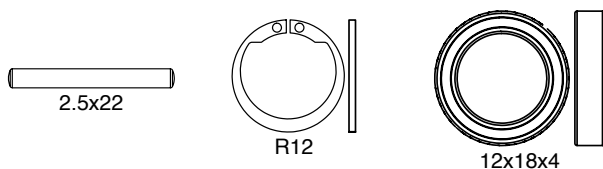
STEP 2



REAR SOLID AXLE EXCENTERS
 Note that the rear solid axle excenters are not symmetric and are marked with L (left) and R (right).

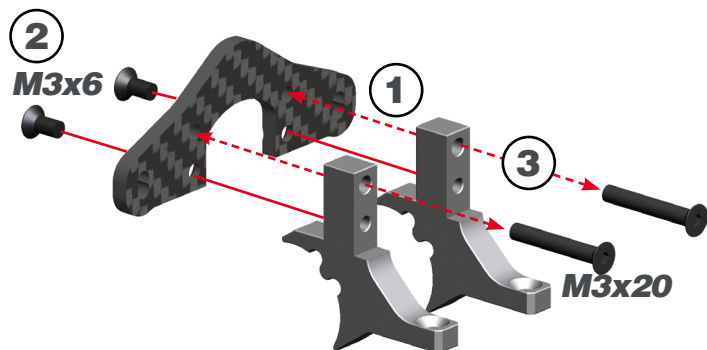
LEFT

RIGHT

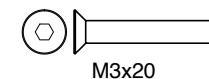
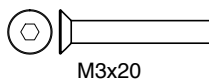
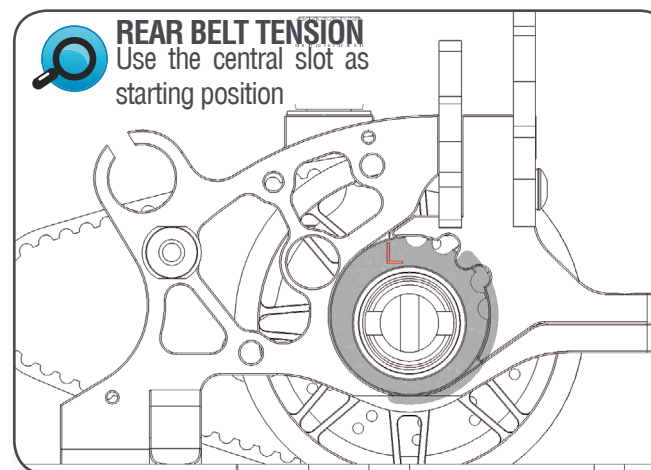
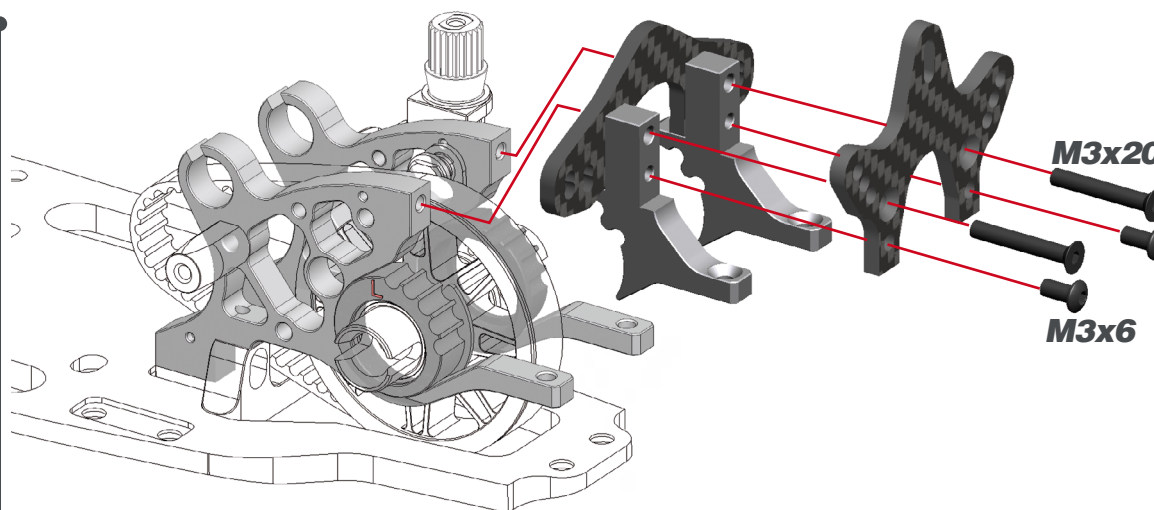


STEP 3

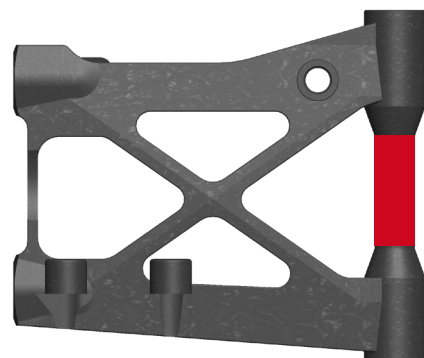
- 1- Assemble M3x20 screws to align the camber bracket.
- 2- Fix the camber bracket with the M3x6 screws.
- 3- Remove M3x20 screws proceed with step 4



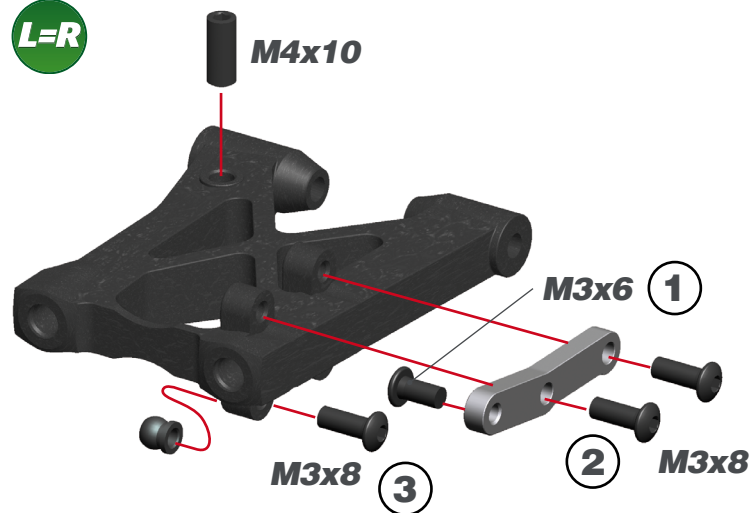
STEP 4



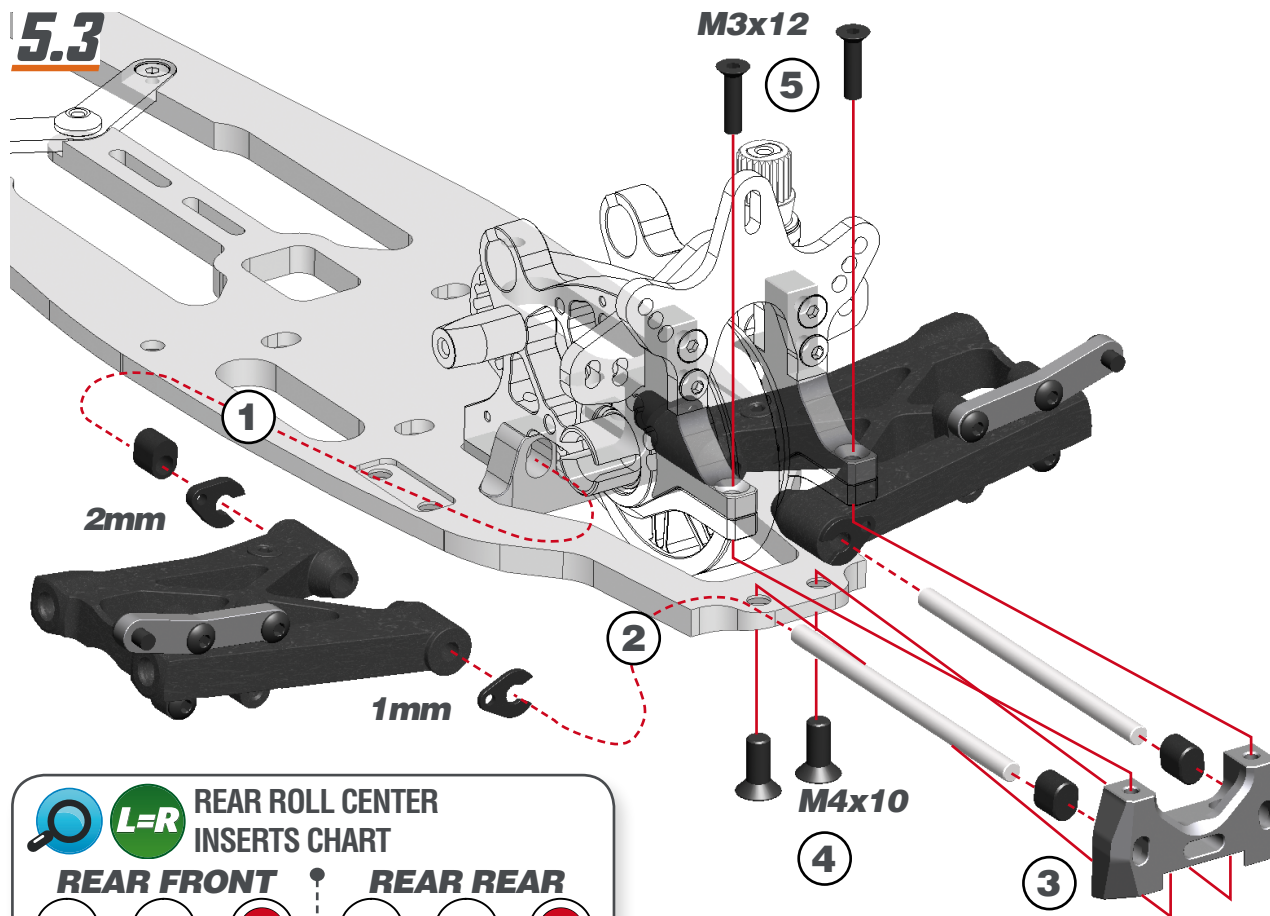
5.2 Before to assemble the rear lower arms, carefully remove the red area and smoothen the cut surface.



5.2

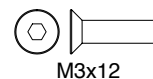
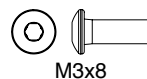
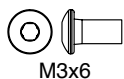
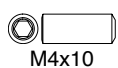


5.3

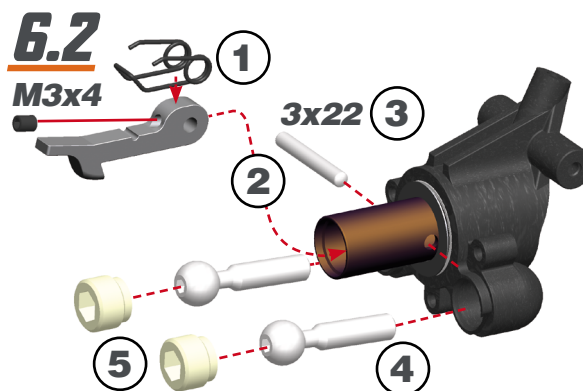
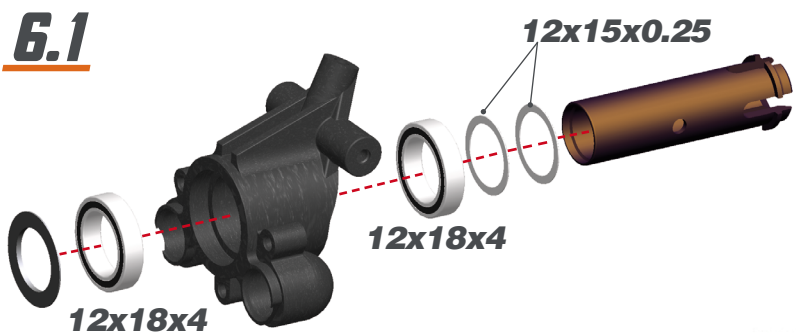


REAR ROLL CENTER INSERTS CHART

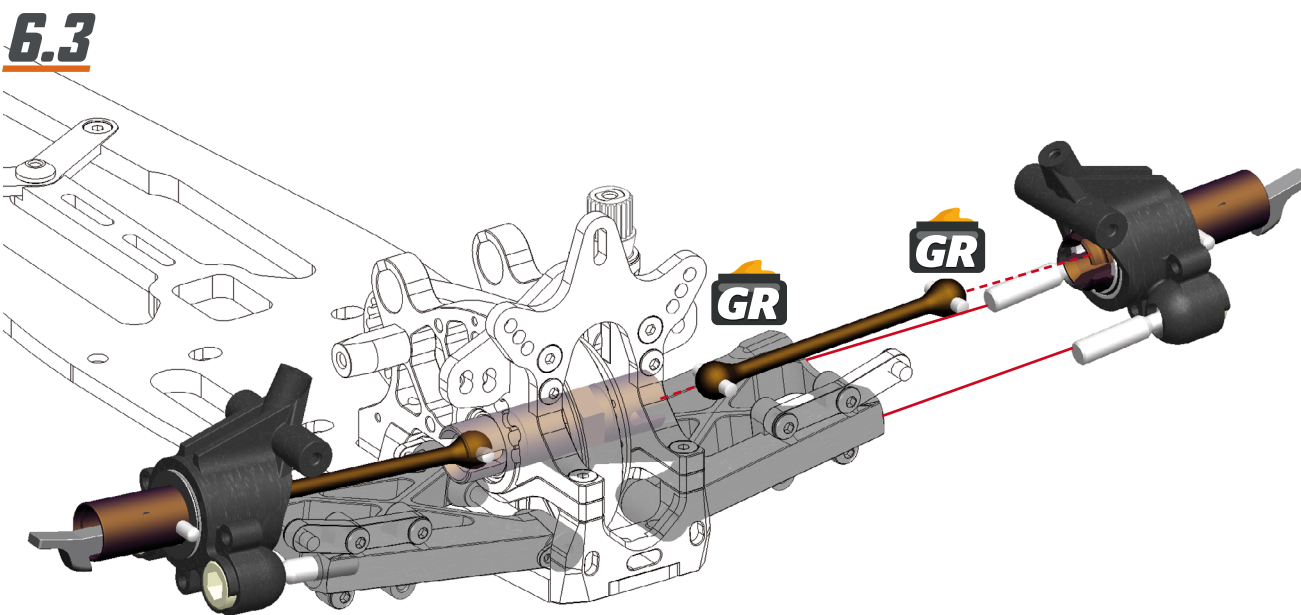
REAR FRONT			REAR REAR		



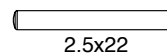
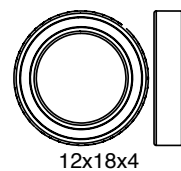
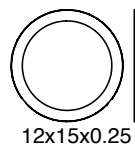
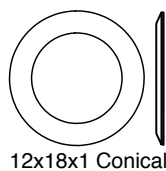
STEP 6



! 1- Note orientation of the outside wheel axle shim.
2- Note position of the lever spring.

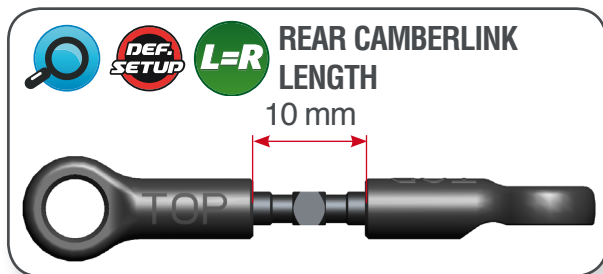


L=R DEF. SETUP REAR TRACK WIDTH
7.8 mm
8.8 mm

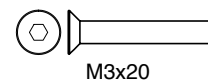
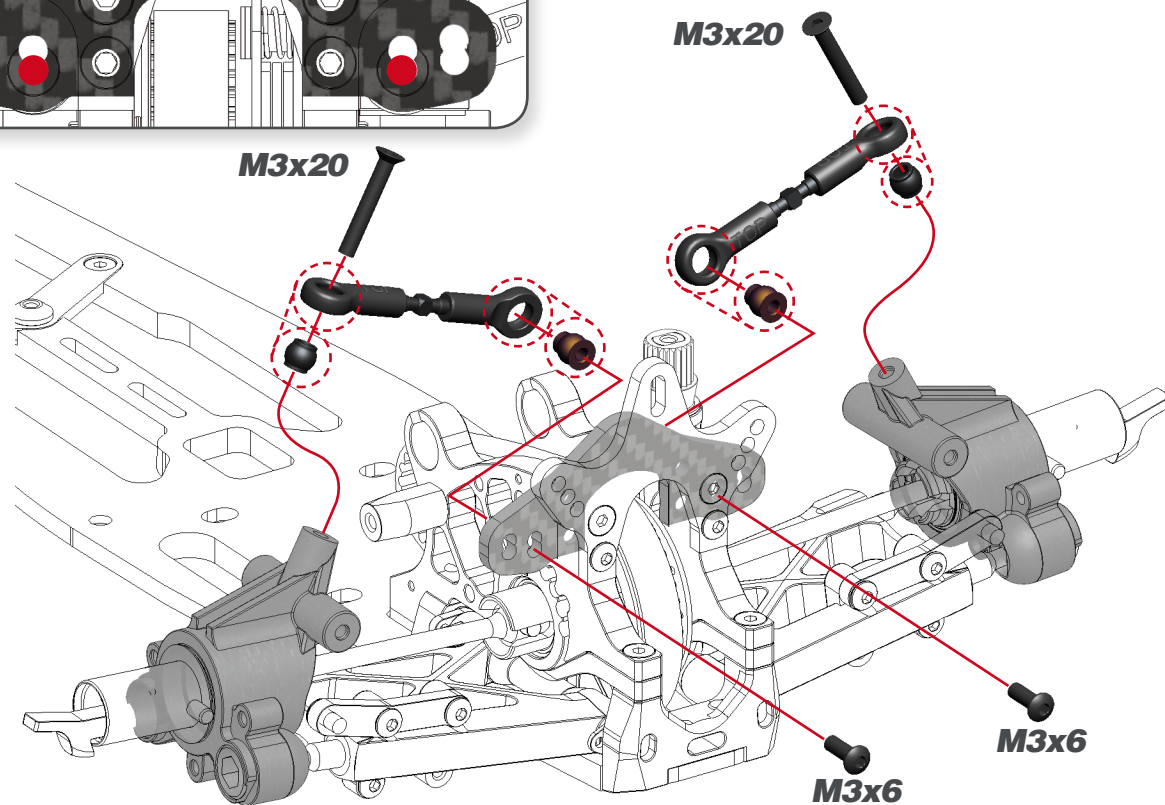
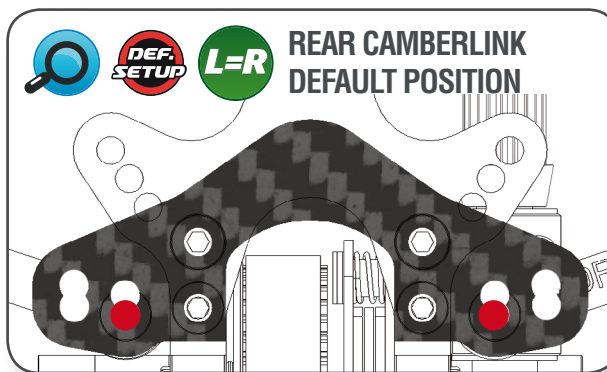


STEP 7

7.1



7.2



903657 Conversion set rear 977 V2

