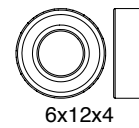
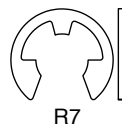
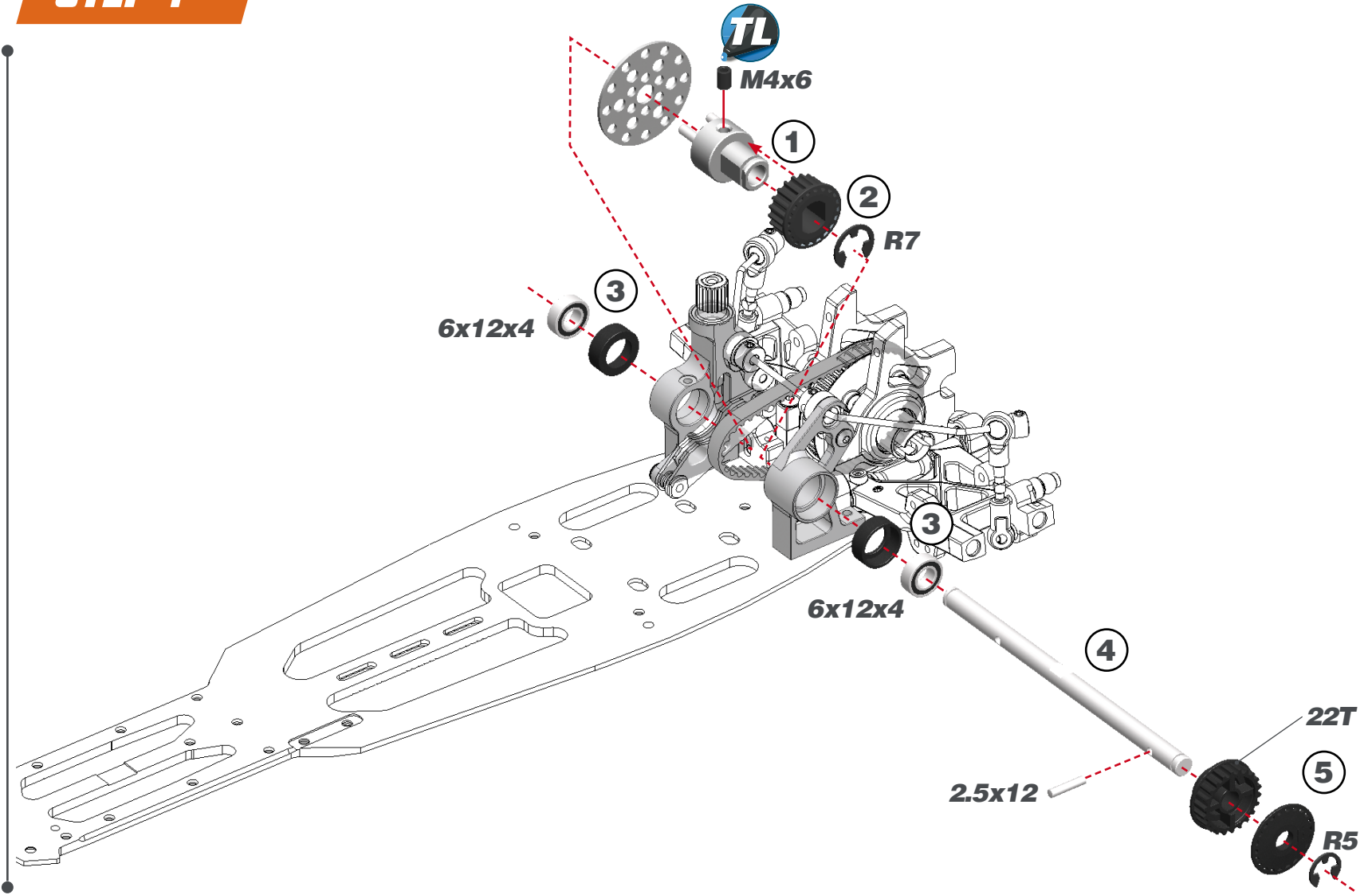
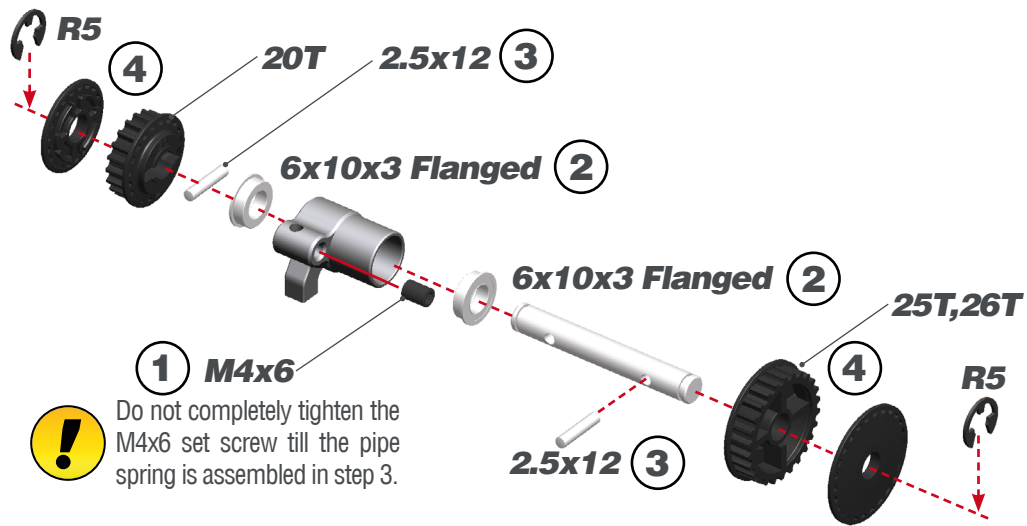


STEP 1

! To be able to use the new pulley set, you also need to purchase and apply the new front differential # 804390 and new sidebelt #804397 because the gearing of the 748-TQ is modified.



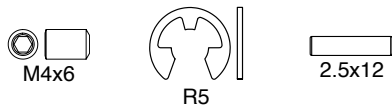
STEP 2



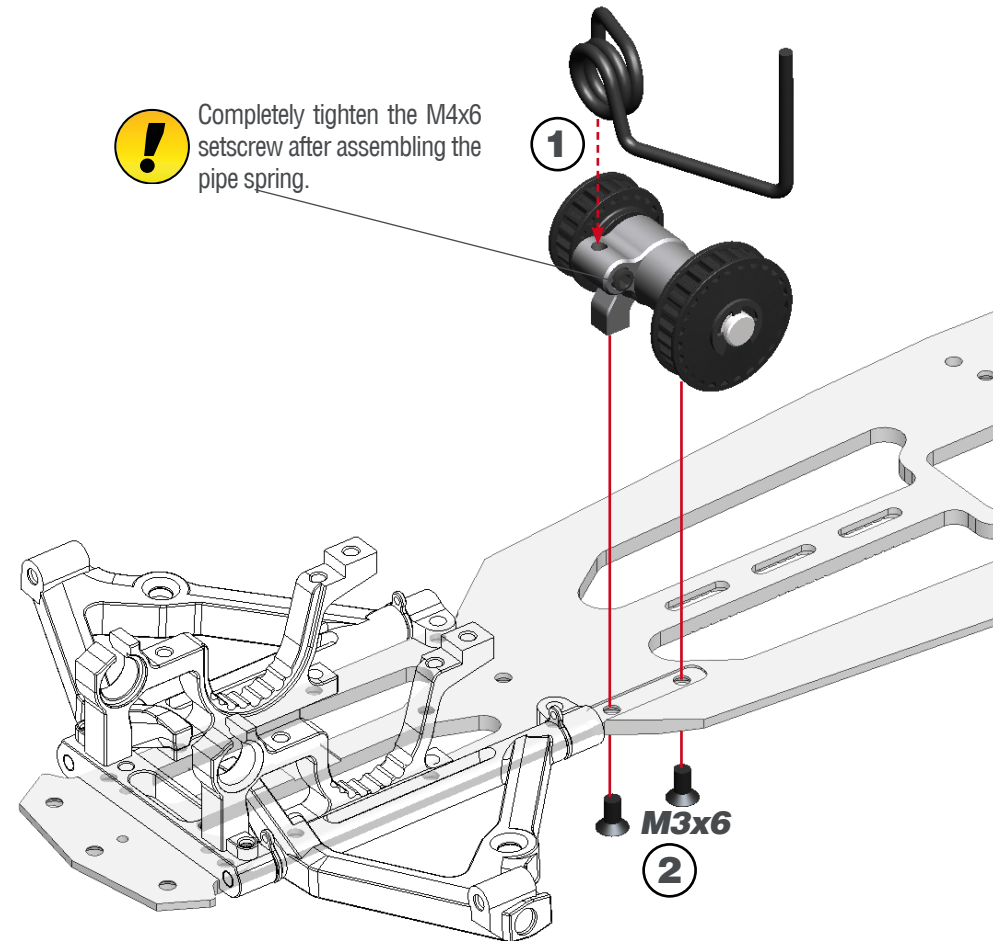
! MID SHAFT SIDE PULLEY

Use 26T mid shaft side pulley as default. Use 25T in very low grip conditions.

DEF. SETUP

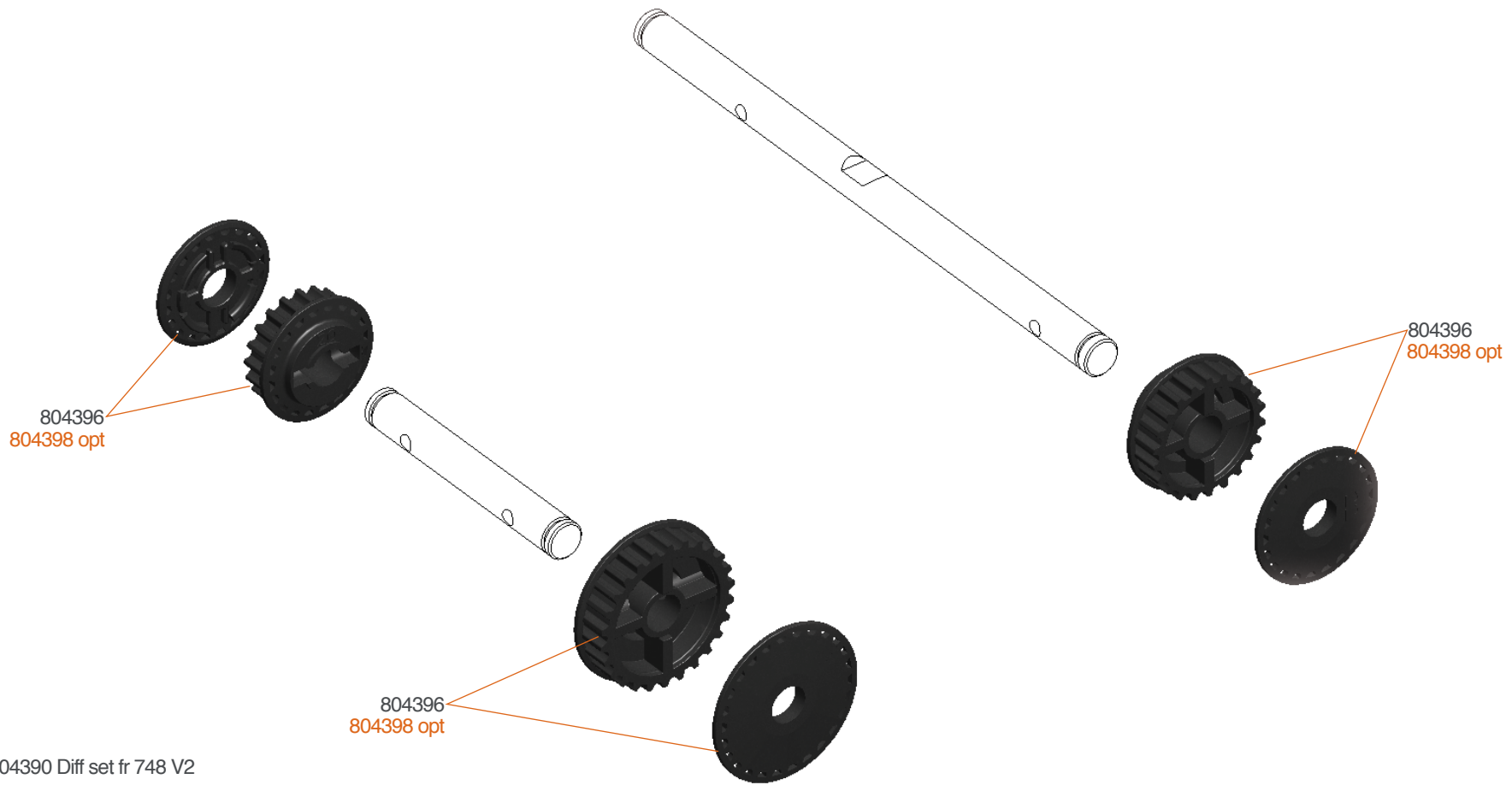


STEP 3



EXPLODED VIEW PULLEY SET (6) 748 V2 #804396

NATRIX
748



- 804390 Diff set fr 748 V2
- 804391 Diff set rr 748 V2
- 804396 Pulley set (6) 748 V2
- 804397 Side belt 40S3M396 748 V2



804398 Pulley set low friction (6) 748 V2