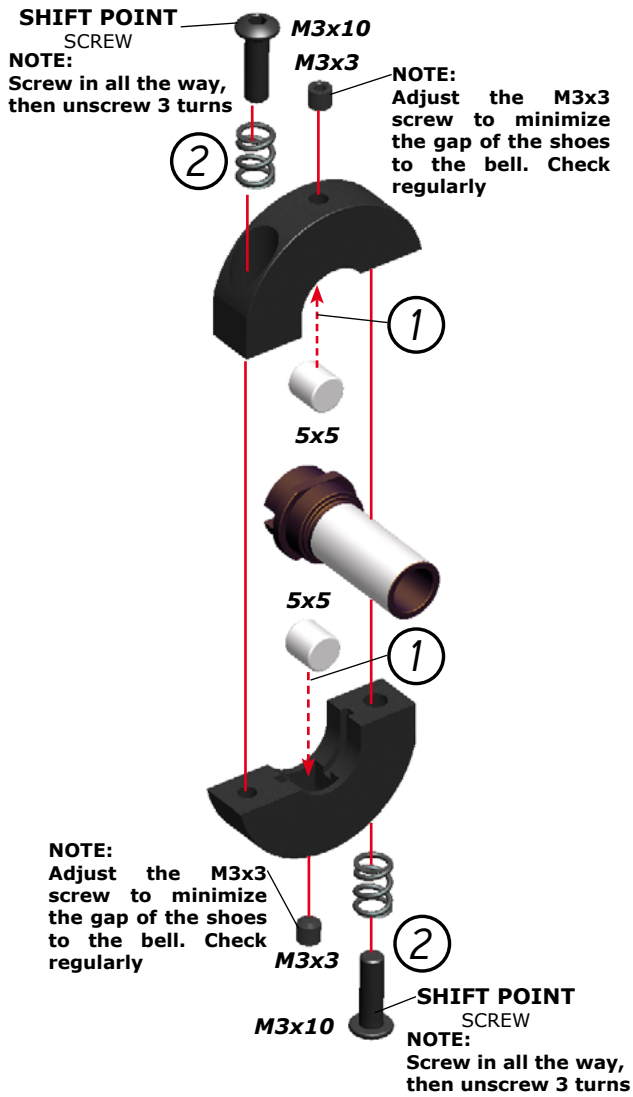


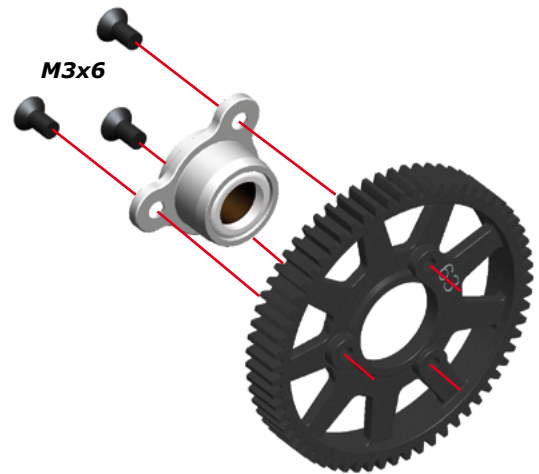
2-speed gearbox set SL8 XLI # 903652

STEP
1

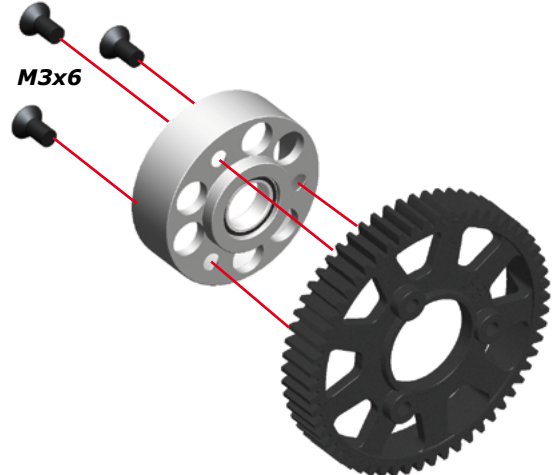
1.1



1.2



1.3

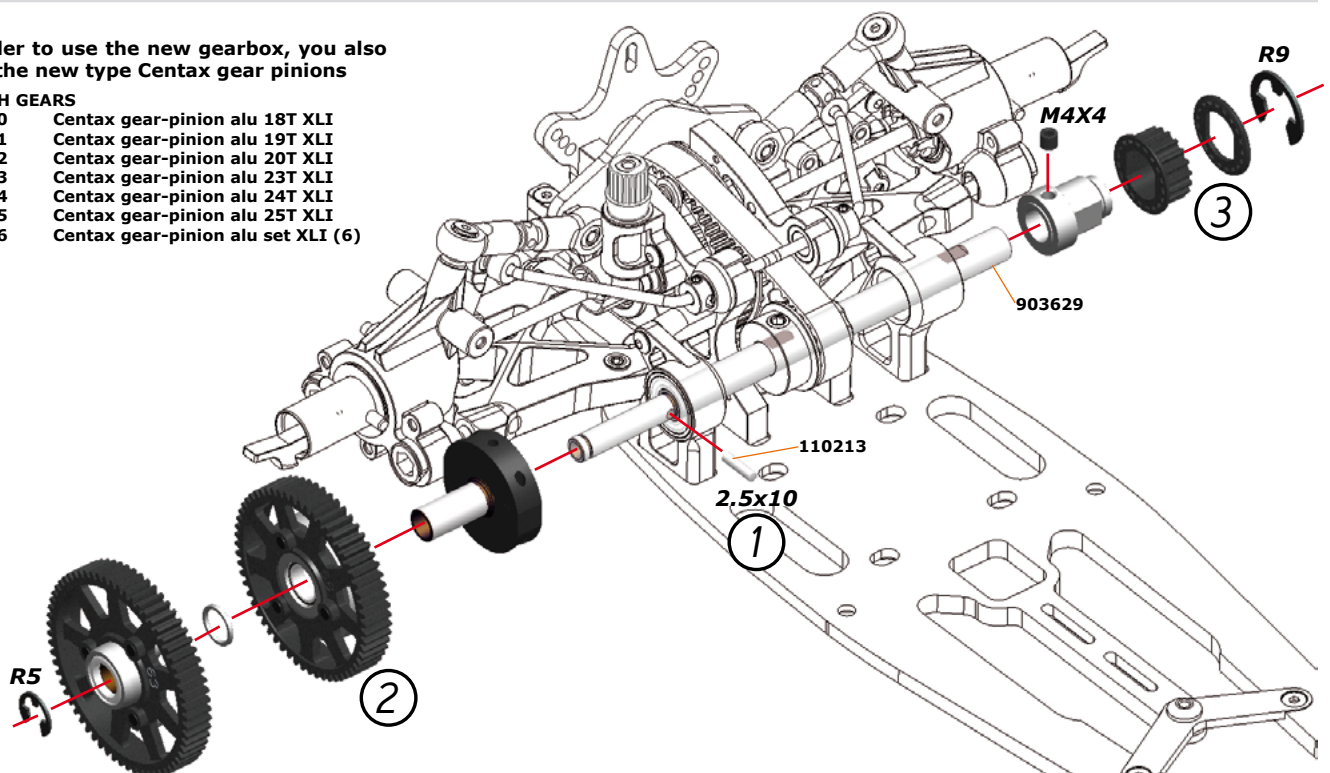


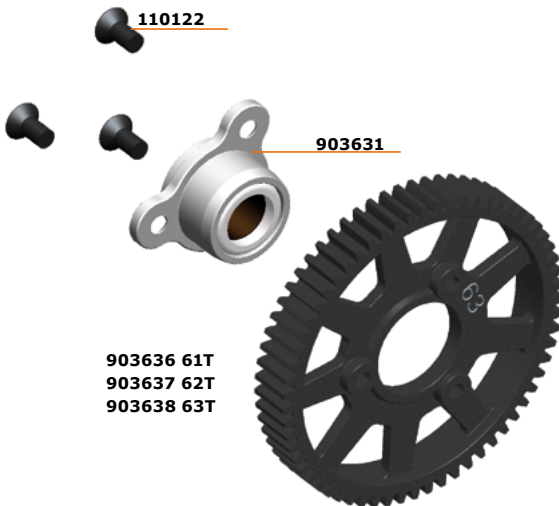
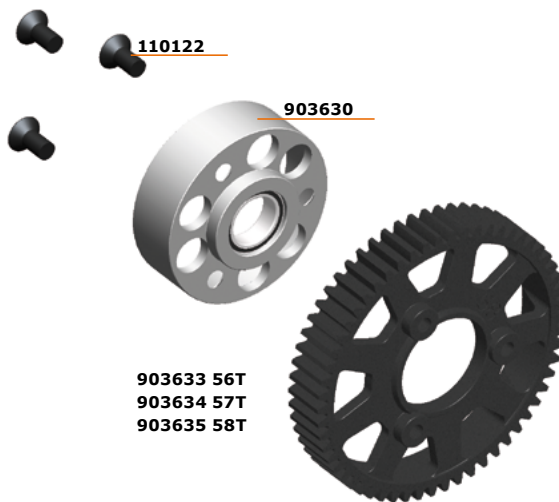
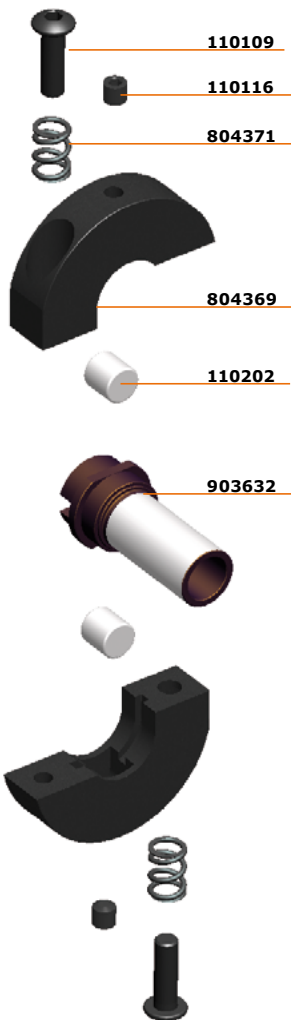
STEP
2

NOTE:
In order to use the new gearbox, you also need the new type Centax gear pinions

CLUTCH GEARS

- 903640 Centax gear-pinion alu 18T XLI
- 903641 Centax gear-pinion alu 19T XLI
- 903642 Centax gear-pinion alu 20T XLI
- 903643 Centax gear-pinion alu 23T XLI
- 903644 Centax gear-pinion alu 24T XLI
- 903645 Centax gear-pinion alu 25T XLI
- 903646 Centax gear-pinion alu set XLI (6)





903639 2-speed gear set SL8 (6) XLI