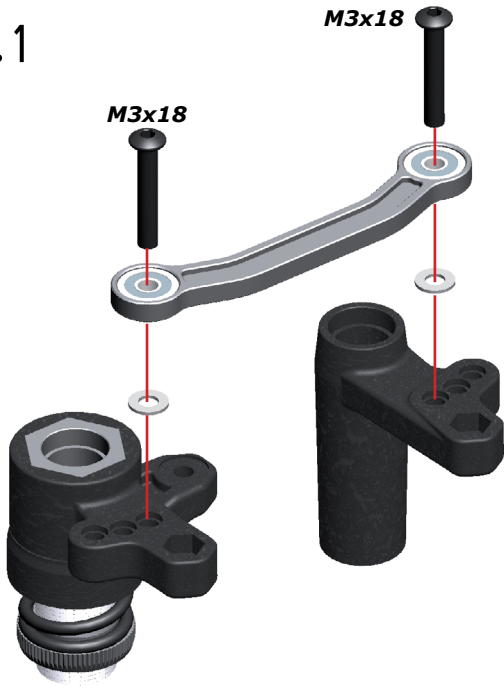


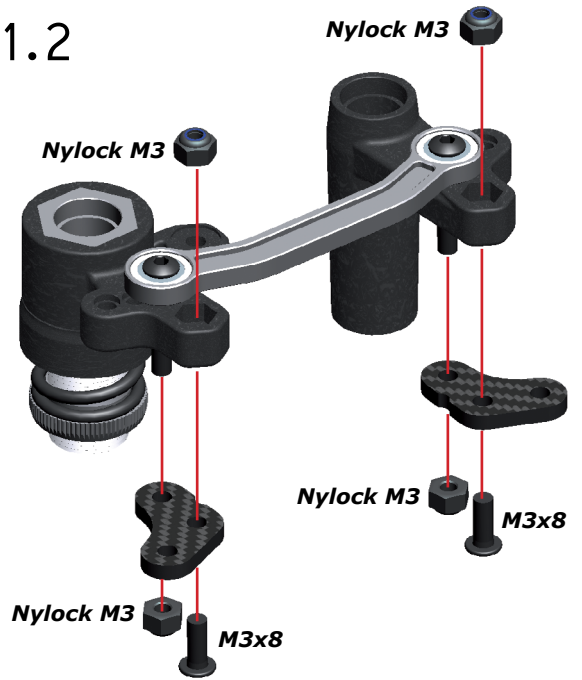
ACKERMANN SET S811 (#600698)

STEP 1

1.1



1.2



TIP
 Note de orientation of the ackerman carbon brackets' notches.

STEP 2

TIP

