



INSTRUCTION MANUAL
& REFERENCE GUIDE



INTRODUCTION

Serpent created this innovative racing car for the competitive electric 1/8th scale gasracing class, which like all our previous cars, has been designed to win straight from the box. Featuring the finest handling 1/8 scale car combined with a well balanced system to exploit the power of your brushless motor to the best.

Easy adjustment and top quality materials throughout, the 966-E should see you in the winners circle in no time. In fact everything associated with this car is of the highest quality, from the packaging and supplied manuals, right through to the product and race support.

INSTRUCTIONS

Serpent's long tradition of excellence extends to their

instruction manuals, and this instruction manual is no exception. The easy-to-follow layout is richly illustrated with 3D-rendered full-color images to make your building experience quick and easy. Following the instructions will result in a well-built, high-performance racecar that will soon be able to unleash its full potential at the racetrack.

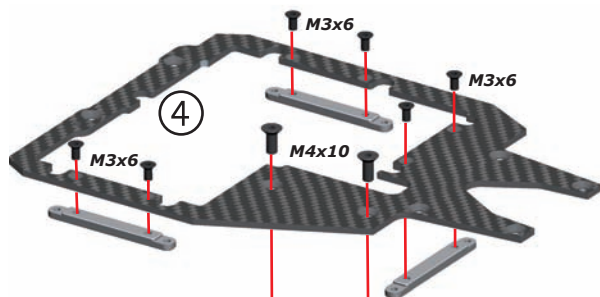
This add-on manual only describes the assembly related to the EP parts.

SETUP

In certain assembly steps you need to make basic adjustments, which will give you a good initial setup for your Serpent 966-E. Fine-tuning the initial setup is an essential part of building a high-performance racecar like your S966-E.

SERPENT.COM

In the original 966 MANUAL follow chapter A completely from A1 to A12. Follow B1 to B16
Skip B11 and B12 and don't mount the disc brake!



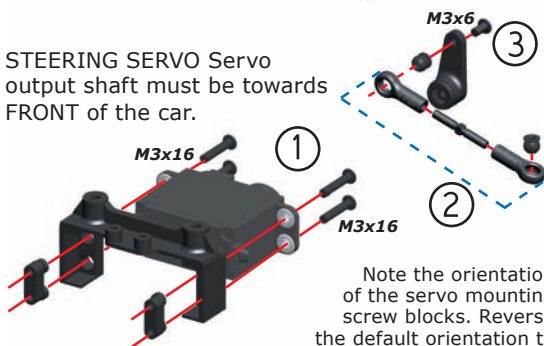
Use the following servo arms with these brands of servos.

23 - Sanwa / KO / JR

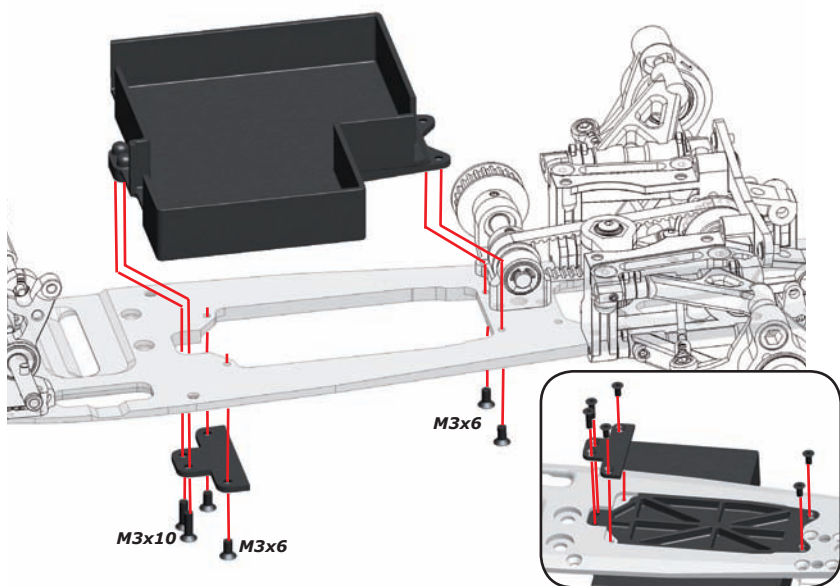
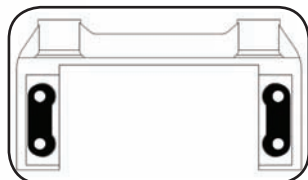
24 - Hitec

25 - Futaba

STEERING SERVO Servo output shaft must be towards **FRONT** of the car.



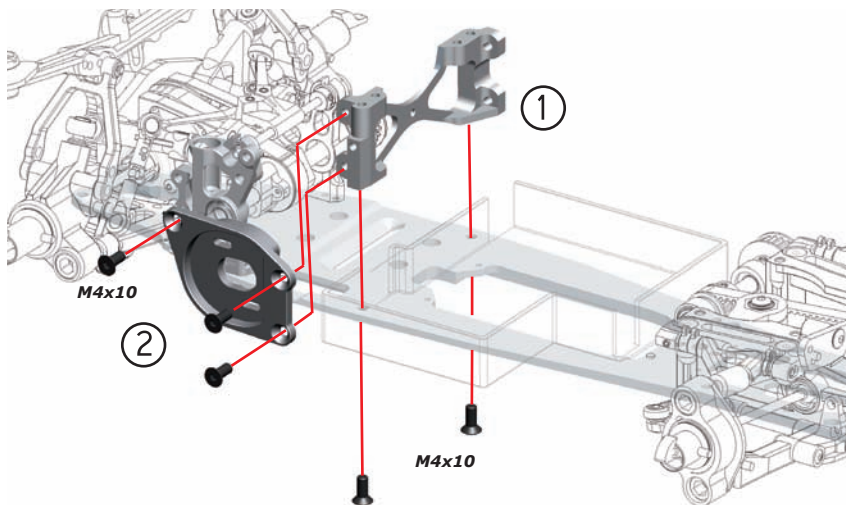
Note the orientation of the servo mounting screw blocks. Reverse the default orientation to mount a smaller servo.



C

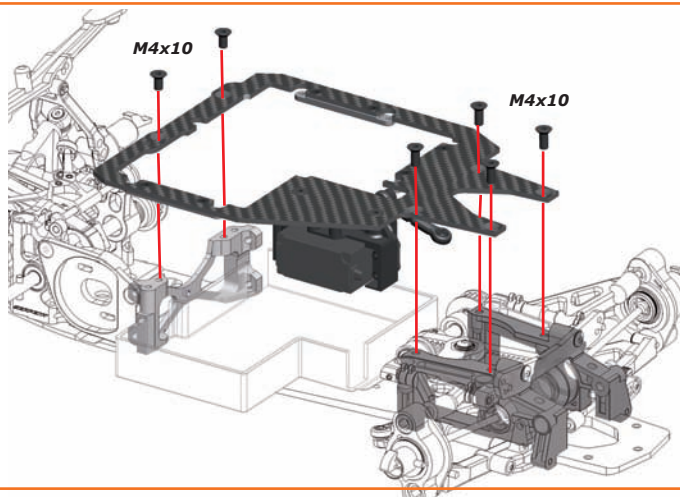
3

Bag
11



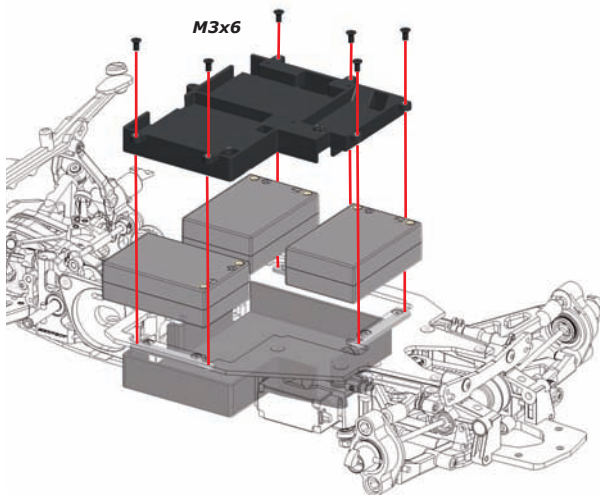
C

4



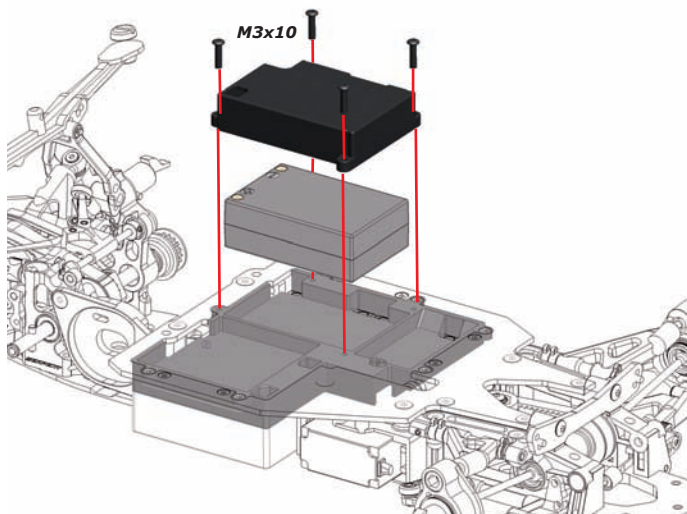
C

5



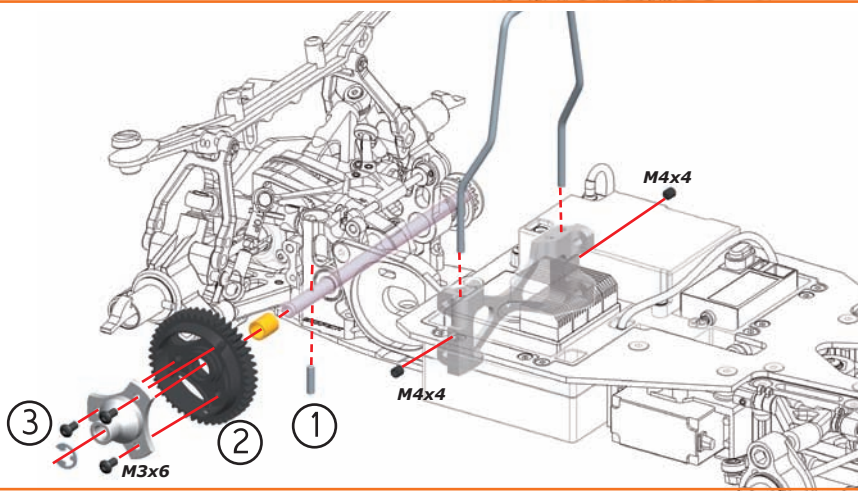
C

6



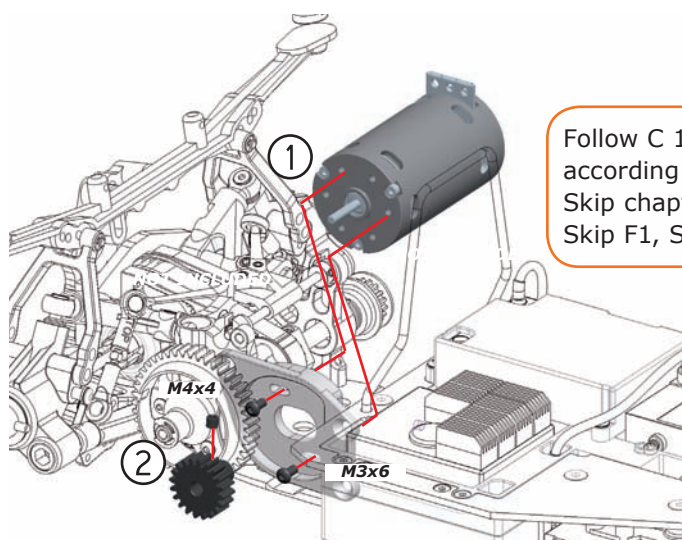
C

7



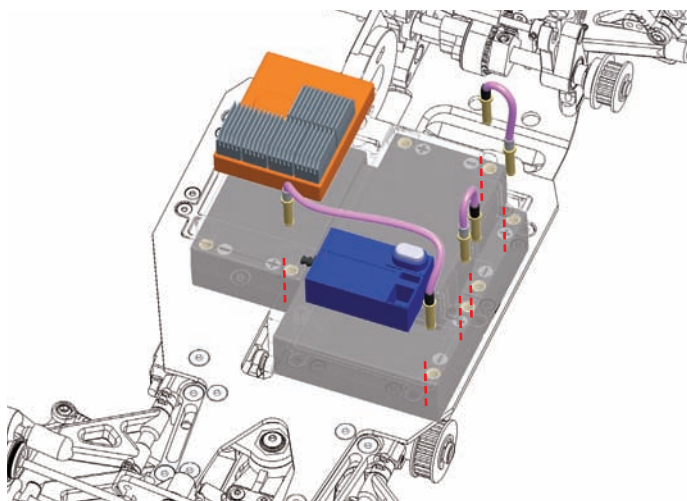
F

1

Bag
15

Follow C 10 to C 15
according to manual 966
Skip chapter D and E
Skip F1, Skip F 3 to F 5

Page
5



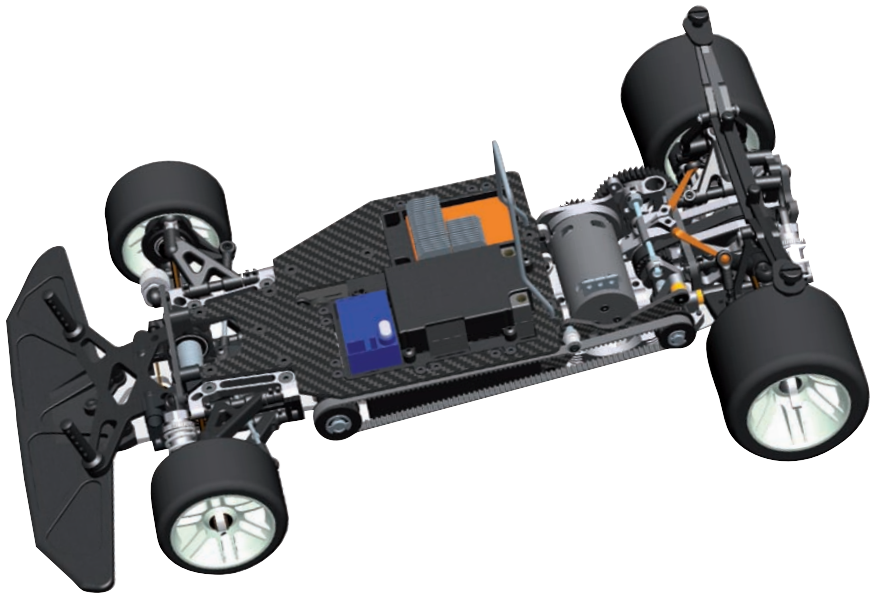
PARTSLIST 966-E

904000	Serpent 966-E 1/8 4wd EP
904100	966-E conversionset
904101	966-E pinion 17T
904102	966-E pinion 18T
904103	966-E pinion 19T
904104	966-E pinion 20T
904105	966-E motormount alu
904106	966-E radioplate carbon
904107	966-E gear radaptor alu
904108	966-E battery box
904109	966-E topdeck bracket (3)
904110	966-E 2-speed bushing alu
904111	966-E conversion manual

OPTIONALS

904112	Motormount lower alu V1 966-E
904113	Motormount alu V1 966-E
904114	Motormount set alu V1 966-E





Abbe
electric powered **e**



Ready to GO

SERPENT



SERPENT

www.serpent.com
info@serpent.com

#904111